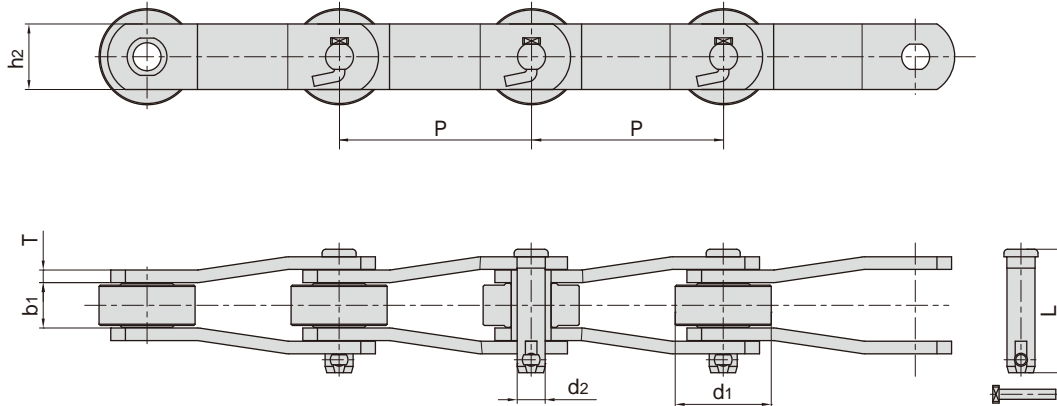


糖机链

Sugar mill chains



Chain No.	节距	滚子直径	内节内宽	销轴直径	销轴长度	链板高度	链板厚度	抗拉强度	平均抗拉强度	每米长重
	Pitch	Roller diameter	Width between inner plates	Pin diameter	Pin length	Plate depth	Plate thickness	Tensile strength	Average tensile strength	Weight per meter
	P	d1 max	b1	d2 max	L max	h2 max	T max	Q min	Qo min	q
	mm	mm	mm	mm	mm	mm	mm	kN/lbf	kN	kg/m
SM102*	102.00	36.00	42.00	16.00	92.00	45.00	8.00	210.0/47208	230.0	11.59
SM101.6F4*	101.60	42.00	32.00	17.50	83.00	45.00	8.00	281.5/63281	309.7	12.30
SM101.6F7*	101.60	36.50	41.30	15.88	94.30	44.50	7.90	191.1/42959	210.0	11.84
SM101.6F10	101.60	50.80	32.60	17.50	83.00	44.50	7.90	138.1/31045	151.9	13.29
P152F77	152.40	76.20	35.00	22.23	95.10	50.80	9.52	263.0/59122	290.0	17.98
P152F151	152.40	76.20	36.00	22.20	98.00	52.00	10.00	361.3/81220	397.4	19.10
SM152F16	152.40	76.20	37.00	24.00	110.00	64.00	12.00	600.0/134880	660.0	26.20
SM152F54	152.40	76.20	35.00	22.43	96.00	50.80	9.50	263.0/59122	290.0	17.90
SM203.2F8	203.20	88.90	46.10	25.40	122.00	76.20	12.70	700.0/157360	770.0	31.10
SM228.6F3*	228.60	63.50	73.20	31.75	157.00	82.60	14.20	250.0/56200	275.0	33.60
SM228.6F4	228.60	89.00	37.00	25.40	102.00	65.00	10.00	466.0/104756	512.5	21.20
SM228.6F6	228.60	99.00	46.00	32.00	137.00	86.00	16.00	1150.0/258520	1265.0	41.80
SM228.6F8	228.60	99.00	47.00	32.00	126.00	86.00	12.70	920.0/206816	1012.0	34.20

*套筒链：表中滚子直径d1为套筒直径

*Bush chain: d1 in the table indicates the external diameter of the bush.

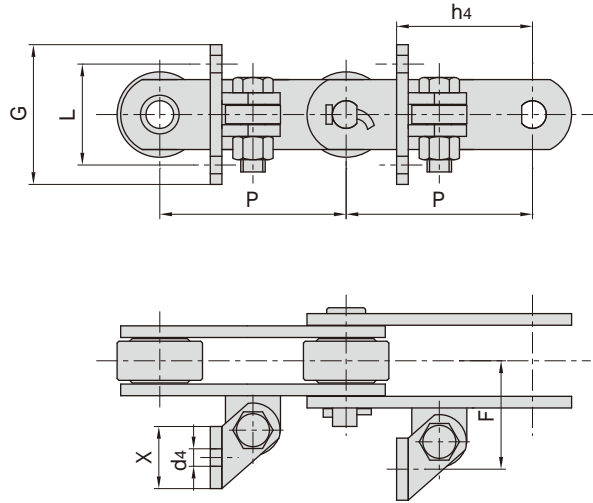
Hangzhou Ocean Industry Co., Ltd.

糖机链

Sugar mill chains

带AS2附件

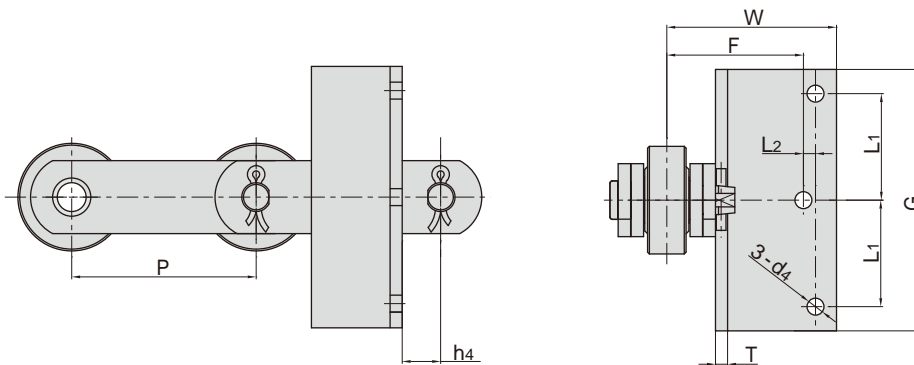
With AS2 attachment



Chain No.	P mm	G mm	L mm	F mm	X mm	h4 mm	d4 mm
P152F78-AS2	152.40	114.30	82.55	88.90	50.80	111.12	14.30
DH2600-AS2	152.40	127.00	88.90	120.70	50.80	143.00	14.20
DH2600-AS2F2	152.40	127.00	88.90	120.60	50.80	146.00	13.50

带F3附件

With F3 attachment

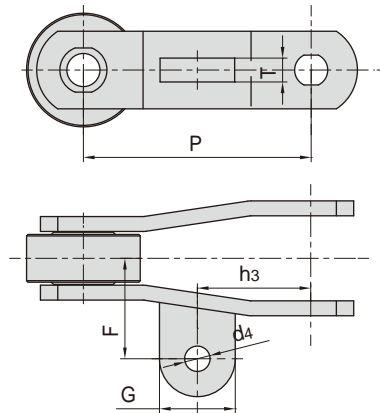


Chain No.	P mm	F mm	W mm	h4 mm	d4 mm	G mm	L1 mm	L2 mm
P152F88-F3	152.40	112.80	140.10	31.75	14.00	216.00	88.00	10.00

糖机链

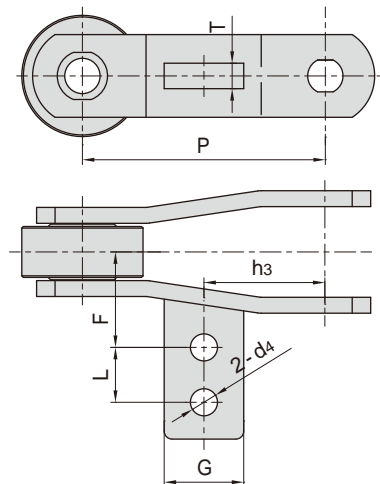
Sugar mill chains

带A1附件
With A1 attachment



Chain No.	P mm	F mm	G mm	d4 mm	h3 mm	T mm
SM101.6F5 - A1	101.6	70.0	40.0	17.0	42.0	12.0
SM101.6F7 - AS2	101.6	63.6	38.1	13.0	50.0	9.5
SM101.6F10 - A1	101.6	54.0	42.0	16.7	50.8	12.7
P152F77 - AS2F3	152.4	66.7	65.0	17.0	76.2	16.0
P152F148 - AS2	152.4	68.0	-	22.0	74.0	16.0
P152F151 - A1	152.4	67.5	50.8	17.0	76.0	16.0
SM228.6F4 - AS2	228.6	80.0	-	21.0	95.0	20.0
SM228.6F8 - AS2	228.6	83.0	-	21.0	120.0	16.0
SM203.2F7 - A1F1	203.2	81.7	58.0	20.0	101.6	16.0
SM203.2F8 - AS2	203.2	82.0	-	21.0	102.0	16.0

带A2附件
With A2 attachment

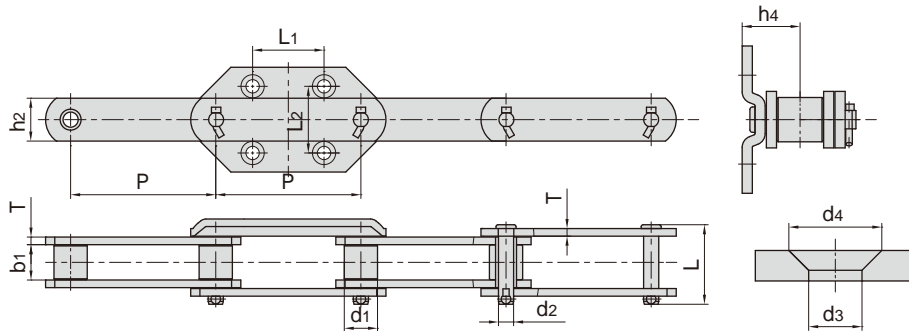


Chain No.	P mm	F mm	G mm	d4 mm	h3 mm	L mm	T mm
P152F77 - A2	152.4	60.0	50.0	17.0	76.0	34.5	16.0
P152F151 - A2	152.4	60.0	50.0	17.0	76.0	34.5	16.0
SM152F54 - A2	152.4	60.0	50.0	17.0	76.0	34.5	16.0
SM203.2F8 - AS2F3	203.8	74.5	65.0	21.0	102.0	34.5	15.0
SM203.2F8 - AS2F5	203.8	74.5	65.0	21.0	102.0	50.0	15.0

Hangzhou Ocean Industry Co., Ltd.

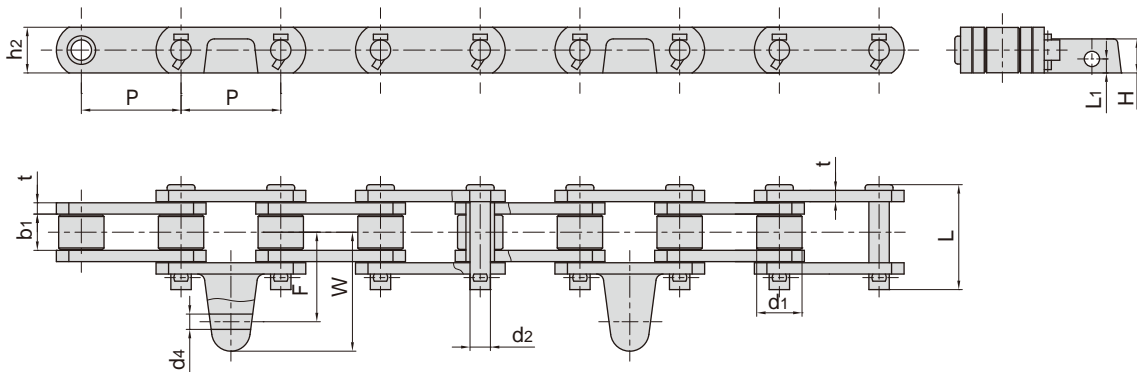
糖机链

Sugar mill chains



Chain No.	节距 Pitch	滚子直径 Roller diameter	内节内宽 Width between inner plates	销轴直径 Pin diameter	销轴长度 Pin length	链板高度 Plate depth	链板厚度 Plate thickness	抗拉强度 Tensile strength	每米长重 Weight per meter
	P	d_1 max	b_1	d_2 max	L max	h_2 max	T max	Q_{min} kN/lbf	q kg/m
P152F169SS-G4	152.4	34.9	37.1	15.9	83.5	44.5	8.0	190/42712	10.34

Chain No.	P	L_1	L_2	h_4	d_3	d_4
	mm	mm	mm	mm	mm	mm
P152F169SS-G4	152.4	75.0	70.0	46.0	14.0	24.4



Chain No.	节距 Pitch	滚子直径 Roller diameter	内节内宽 Width between inner plates	销轴直径 Pin diameter	销轴长度 Pin length	链板高度 Plate depth	链板厚度 Plate thickness	抗拉强度 Tensile strength	每米长重 Weight per meter
	P	d_1 max	b_1	d_2 max	L max	h_2 max	t max	Q_{min} kN/lbf	q kg/m
P69.85F6-G19	69.85	31.75	25.3	14.27	73.5	31.75	8.0	130.0/29224	9.46

Chain No.	P	F	W	d_4	L_1	H
	mm	mm	mm	mm	mm	mm
P69.85F6-G19	69.85	62.27	80.8	11.0	9.8	24