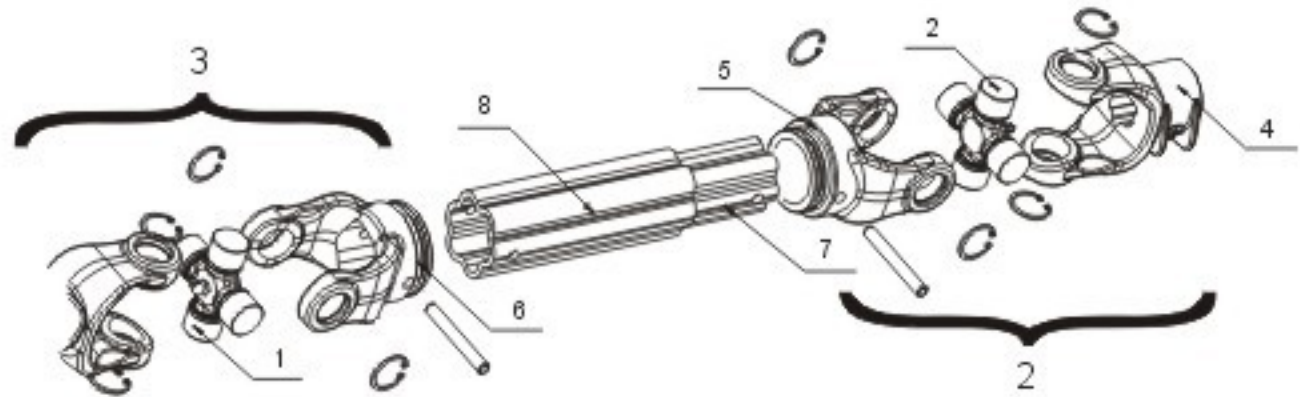


PTO drive shaft Series S

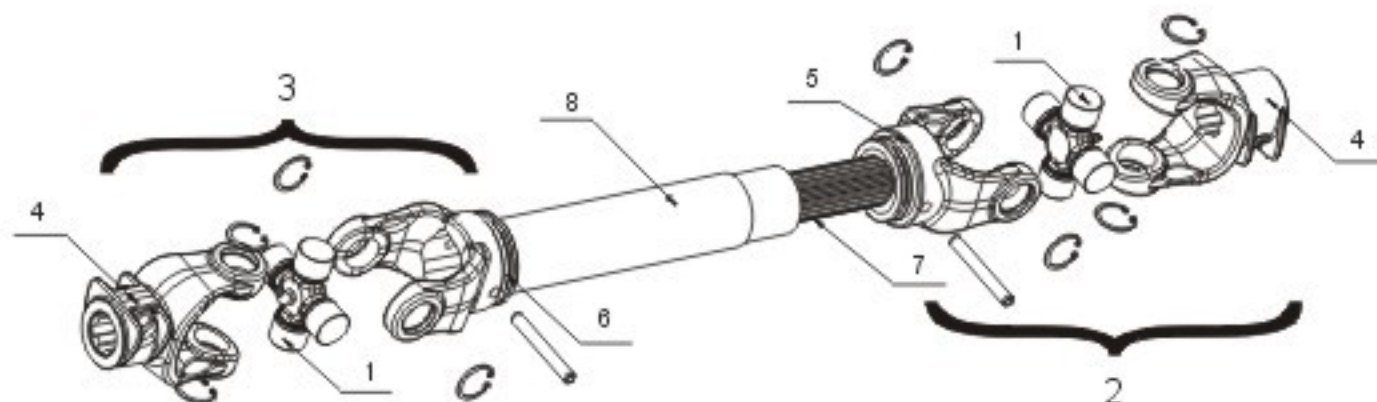
Series S



Type	U-joint	Joint simple		Splined yoke	Tube yoke		Tube	
		Inner	outer		Inner	outer	Inner	outer
	1	2	3	4	5	6	7	8
S230	2000723 30.18×106.3	40023001	40023002	101G723138	102S23251	103S23261	301S510	301S614
S240	2000824 34.9×106.3	40024001	40024002	101G824138	102S24251	103S24261	301S510	301S614
S2500 (036)	2000036 36×89	40036001	40036002	101G036138	102S036251	103S036261	301S510	301S614
S2600 (026)	2000026 42×104	40026001	40026002	101G026138	102S026261	103S026271	301S614	302S715

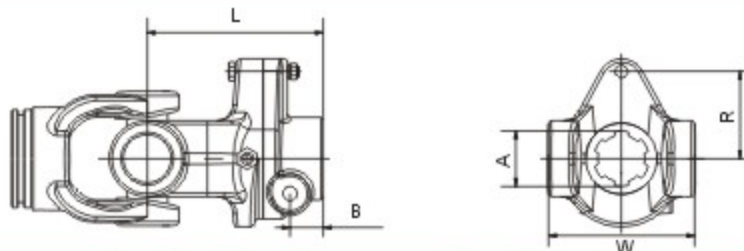
Operating torque

Type	540 tr./min			1000 tr./min			Nm
	kw	pk	Nm	kw	pk	Nm	
	cv			cv			
S230	36	56	780	75	92	550	3400
S240	45	77	890	82	110	780	4200
S2500	66	90	1175	102	139	975	6000
S2600	79	107	1400	122	166	1165	7800

PTO drive shaft Series G
Series G


Type	U-joint	Joint simple		Splined yoke	Tube yoke		Tube	
		Inner	outer		Inner	outer	Inner	outer
	1	2	3	4	5	6	7	8
G50	2000500 30.22×80	4005001	4005002	101500138	102G35012	312G35Z12 ...	301G35Z12 ...	300C553
G60	2000600 30.22×92	4006001	4006002	101622138	102G35012	312G35Z12 ...	301G35Z12 ...	300C553
G70	20007N 35×94	4007001	4007002	1017N138	102G35012	312G40Z14 ...	301G40Z14 ...	300C613
G80	2000824 34.9×106.3	4008001	4008002	101824138	102G35012	312G45Z16 ...	301G45Z16 ...	300C613
G90	2000900 41×108	4009001	4009002	101900138	102G35012	312G45Z16 ...	301G45Z16 ...	300C695
Operating torque								
Type	540 tr./min			1000 tr./min			Nm	
	kw	pk	Nm	kw	pk	Nm		
	cv			cv				
G05	35	47	620	54	74	520	1050	
G06	47	64	830	74	100	710	1450	
G07	55	75	970	87	118	830	1800	
G08	70	95	1240	110	150	1050	2250	
G09	88	120	1560	140	190	1340	2900	

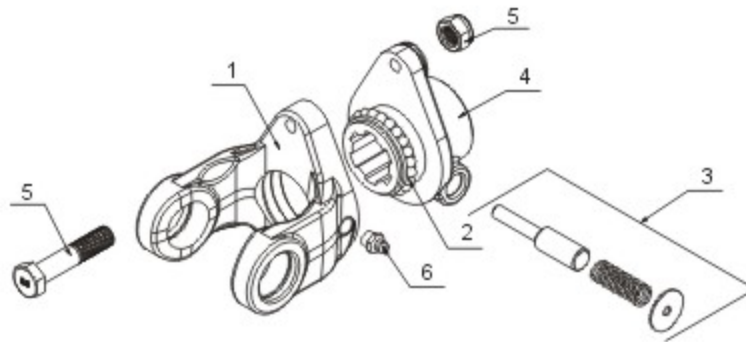
Shear bolt torque limiter Series SB



Series W-S	Series T-G		W	L	B	A	R	DIN 931 CL.8.8	Torque Nm	Type	Code
W200		23.8×61	68	99	19	13/8"-Z6	42	M6	780	S BW220138426	500W220138426
						13/8"-Z21		M8	1400	S BW220138428	500W220138428
W210 W2300S		27×74.6	83	107	19	13/8"-Z6	48	M8	1600	SBW421138488	500W421138488
						13/8"-Z21			1730	SBW421138528	500W421138528
									1860	SBW421138568	500W421138568
										SBW421121568	500W421121568
W2400 (035)		32×76	86	131	19	13/8"-Z6	48	M8	1600	S BW035138488	500W035138488
								M10	2500	SBW035138481	500W035138481
								M8	1860	S BW035138568	500W035138568
								M10	2920	SBW035138561	500W035138561
								M8	2130	S BW035138648	500W035138648
								M10	2920	SBW035121561	500W035121561
S2500 (036)		36×89	100	141	24	13/8"-Z6	48	M10	2500	SBW036138481	500W036138481
								M10	2920	SBW036138561	500W036138561
								M8	2130	S BW036138648	500W036138648
								M10	2500	SBW036121481	500W036121481
								M10	2920	SBW036134561	500W036134561
								M10	3330	SBW036134641	500W036134641
S2600 (026)		42×104	115	145	24	13/8"-Z6	56	M12	4200	SBW026138561.2	500W026138561.2
						13/8"-Z21				SBW026121561.2	500W026121561.2
						13/4"-Z6				SBW026134641.2	500W026134641.2
						13/4"-Z20				SBW026120641.2	500W026120641.2
										4800	
T10		22×54	62	95	19	13/8"-Z6	35	M6	650	SB110138	500110138
						13/8"-Z21				SB110121	500110121
T20		23.8×61	68	99	19	13/8"-Z6	48	M6	900	SB220138	500220138
						13/8"-Z21				SB220121	500220121
T30		27×70	77	102	19	13/8"-Z6	40	M8	1300	SB311138	500311138
						13/8"-Z21				SB311121	500311121
T40		27×74.6	83	107	19	13/8"-Z6	55	M8	1700	SB421138	500421138
						13/8"-Z21				SB421121	500421121
T50-G50		30.22×80	95	111	21	13/8"-Z6	46	M10	2100	SB500138	500500138
						13/8"-Z21				SB500121	500500121
						13/4"-Z6				SB500134	500500134
T60-G60		30.22×92	101	137	22	13/8"-Z6	55	M12	2500	SB622138D	500622138D
						13/8"-Z21				SB622121D	500622121D
						13/4"-Z6				SB622134D	500622134D
						13/4"-Z20				SB622120D	500622120D
T7N-G70		35×94	105	143	22	13/8"-Z6	49	M12	3000	SB7NI38D	5007NI38D
						13/8"-Z21				SB7NI21D	5007NI21D
						13/4"-Z6				SB7NI34D	5007NI34D
						13/4"-Z20				SB7NI20D	5007NI20D
T80-G80		34.9×106.3	125	148	20	13/8"-Z6	57	M12	3500	SB824138D	500824138D
						13/8"-Z21				SB824121D	500824121D
						13/4"-Z6				SB824134D	500824134D
						13/4"-Z20				SB824120D	500824120D

NOTE: available on demand with interfering clamp bolt
 The torque limiter interrupts the power transmission when the torque exceeds the setting value, by shearing the bolt. Transmission is restored by inserting a new bolt in the device.

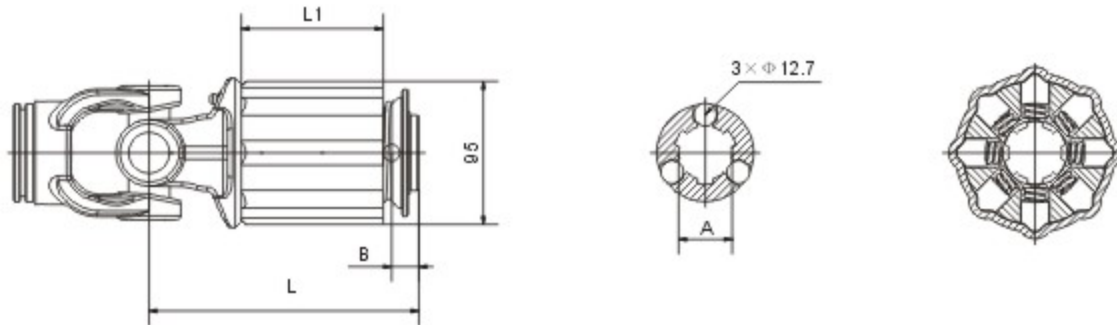
Shear bolt torque limiter Series SB



1	Yoke (type 10)	
	Yoke (type 20)	
	Yoke (type 30)	
	Yoke (type 40)	
	Yoke (type 50)	
	Yoke (type 60)	
	Yoke (type 7N)	
	Yoke (type 80)	
2	Ball 7/32"(type 10-30)	
	Ball 1/4"(type 10-30)	
	Ball 5/16"(type 60-80)	
3*	Push-pin set 1 3/8"	
	Push-pin set 1 3/4"	
4	Hub1 3/8"-Z6 (type 10)	
	Hub1 3/8"-Z21 (type 10)	
	Hub1 3/8"-Z6 (type 20)	
	Hub1 3/8"-Z21 (type 20)	
	Hub1 3/8"-Z6 (type 30)	
	Hub1 3/8"-Z21 (type 30)	
	Hub1 3/8"-Z6 (type 40)	
Hub1 3/8"-Z21 (type 40)		
-	-	

4	Hub1 3/8"-Z6 (type 50)	
	Hub1 3/8"-Z21 (type 50)	
	Hub1 3/4"-Z6 (type 50)	
	Hub1 3/8"-Z21 (type 60)	
	Hub1 3/8"-Z6 (type 60)	
	Hub1 3/4"-Z6 (type 60)	
	Hub1 3/4"-Z20 (type 60)	
	Hub1 3/8"-Z21 (type 7N)	
	Hub1 3/8"-Z6 (type 7N)	
	Hub1 3/4"-Z6 (type 7N)	
	Hub1 3/4"-Z20 (type 7N)	
	Hub1 3/8"-Z21 (type 80)	
Hub1 3/8"-Z6 (type 80)		
Hub1 3/4"-Z6 (type 80)		
Hub1 3/4"-Z20 (type 80)		
5	Bolt M6×45 + nut 8.8	
	Bolt M6×40 + nut 8.8	
	Bolt M8×50 + nut 8.8	
	Bolt M10×55 + nut 8.8	
	Bolt M10×60 + nut 8.8	
	Bolt M12×65 + nut 8.8	
6	Greaser M8×1 (type 10-50)	
	Greaser M10×1 (type 60-80)	

Ratchet torque limiter Series SA

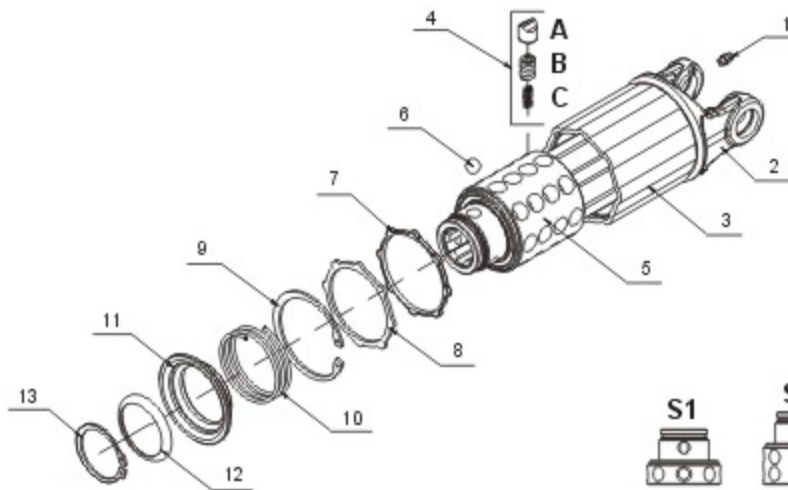


Series W-S	Series T-G		Limit.	Range	torque Nm	L1	L	B	A	Type ^a	Code
W100		22×55	S1	1	300	38	119	20	13/8"-Z6 13/8"-Z21	SAW010--S1	600W010--S1
			S2	2	600	57	138			SAW010--S2	600W010--S2
W200		23.8×61	S1	1	300	38	119			SAW220--S1	600W220--S1
			S2	2	600	57	138			SAW220--S2	600W220--S2
			S3	3	900	76	157			SAW220--S3	600W220--S3
W210 W2300 S		27×74.6	S2	2	600	57	142			SAW421--S2	600W421--S2
			S3	3	900	76	161			SAW421--S3	600W421--S3
			S4	4	1200	95	180			SAW421--S4	600W421--S4
W2400 (035)		32×76	S3	3	900	76	165			SAW035--S3	600W035--S3
			S4	4	1200	95	184			SAW035--S4	600W035--S4
			S5	5	1500	114	203			SAW035--S5	600W035--S5
W2500 (036)		36×89	S3	3	900	76	171			SAW036--S3	600W036--S3
			S4	4	1200	95	190			SAW036--S4	600W036--S4
			S5	5	1500	114	209			SAW036--S5	600W036--S5
T10		22×54	S1	1	300	38	112			SA110--S1	600110--S1
			S2	2	600	57	141			SA110--S2	600110--S2
T20		23.8×61	S1	1	300	38	112			SA220--S1	600220--S1
			S2	2	600	57	141			SA220--S2	600220--S2
			S3	3	900	76	171			SA220--S3	600220--S3
T30		27×70	S2	2	600	57	141			SA311--S2	600311--S2
			S3	3	900	76	171	SA311--S3	600311--S3		
T40		27×74.6	S2	2	600	57	141	SA421--S2	600421--S2		
			S3	3	900	76	171	SA421--S3	600421--S3		
			S4	4	1200	95	190	SA421--S4	600421--S4		
T50		30.22×80	S3	3	900	76	209	SA500--S3	600500--S3		
			S4	4	1200	95	190	SA500--S4	600500--S4		
			S5	5	1500	114	209	SA500--S5	600500--S5		
T60		30.22×92	S3	3	900	76	209	SA622--S3	600622--S3		
			S4	4	1200	95	190	SA622--S4	600622--S4		
			S5	5	1500	114	209	SA622--S5	600622--S5		

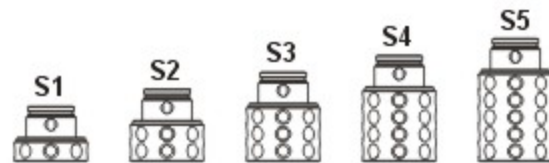
The torque limiter is activated when the operating torque exceeds the setting value. During the limiting phase, the device transmits reduced power in pulses. The elimination of the external cause and the reduction of the PTO speed allows the normal power transmission to be re-established. When the limiter is activated, it is recommended to disconnect the PTO to avoid unnecessary wear and overheating.

Type ^a: Spline manufacture is divided into two
13/8"-Z6, 13/8"-Z21 For example: SA10138S1, SA10121S1

Ratchet torque limiter Series SA



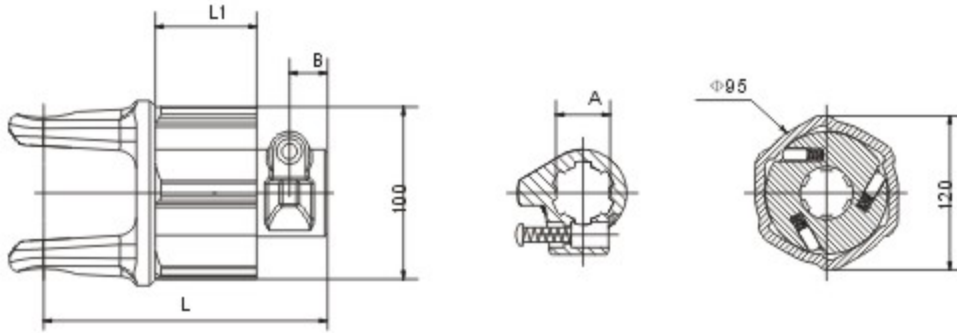
Type	Pawl kit
S1	8
S2	16
S3	24
S4	32
S5	40




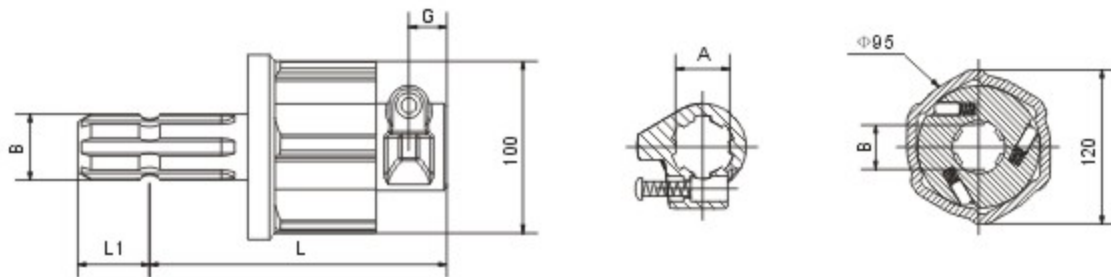
1	Greaser M6×1	
2	Yoke (type 10) S1	
	Yoke (type 20) S1 S2 S3	
	Yoke (type 30) S2 S3	
	Yoke (type 40) S2 S3 S4	
	Yoke (type 50) S3 S4 S5	
	Yoke (type 60) S3 S4 S5	
3	tube=S1 L=38	
	tube=S2 L=57	
	tube=S3 L=76	
	tube=S4 L=95	
	tube=S5 L=114	
4*	Ratchet teeth and springs set: A=Ratchet tooth B=Outer spring C=Inner spring	

5	Hub S1=1 3/8"-Z6 1 3/8"-Z21	
	Hub S2=1 3/8"-Z6 1 3/8"-Z21	
	Hub S3=1 3/8"-Z6 1 3/8"-Z21	
	Hub S4=1 3/8"-Z6 1 3/8"-Z21	
	Hub S5=1 3/8"-Z6 1 3/8"-Z21	
6	Ball 1/2"	
7	Retaining washer	
8	Grease protection	
9	Circlip	
10	Collar spring	
11	Sliding sleeve collar	
12	Snap ring	
13	Circlip	

Overrunning clutch Series RA1、RA1S



Series		Type *1	Torque Nm	L1	L	B	A	Code
T10	22×54	1RA1--	2400	43	125	21	13/8"-Z6 13/8"-Z21	6001RA1--
T20	23.8×61	2RA1--		48	130			6002RA1--
T30	27×70	3RA1--		50	132			6003RA1--
T40	27×74.6	4RA1--		56	138			6004RA1--
T50	30.22×80	5RA1--		59	141			6005RA1--
T60	30.22×92	6RA1--		66	148			6006RA1--
T7N	35×94	7NRA1--		66	149			6007NRA1--



Type *2	Torque Nm	L1	L	G	A	B	Code
RA1S	2400	38	125	21	13/8"-Z6	13/8"-Z6	--RA1S--
					13/8"-Z21	13/8"-Z21	

NOTE: available upon request for anti-clockwise direction of rotation.

The device is used to transmit the motion in a single rotation direction, when the tractor drives the implement. During the stopping phase, with the tractor PTO disengaged and the implement still moving, the transmission is disconnected. This device is useful for operating machinery with high rotation inertia because during the stopping phase, the tractor PTO is dis-engaged from the driven machine.

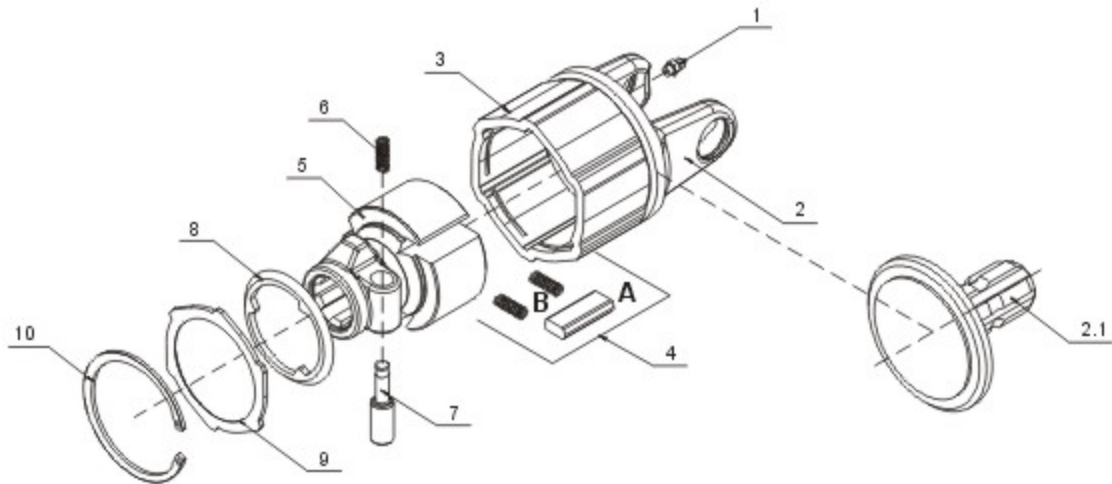
Type *1: Spline manufacture is divided into two

13/8"-Z6?13/8"-Z21 For example:1RA1138?1RA1121

Type *2: Spline manufacture is divided into two

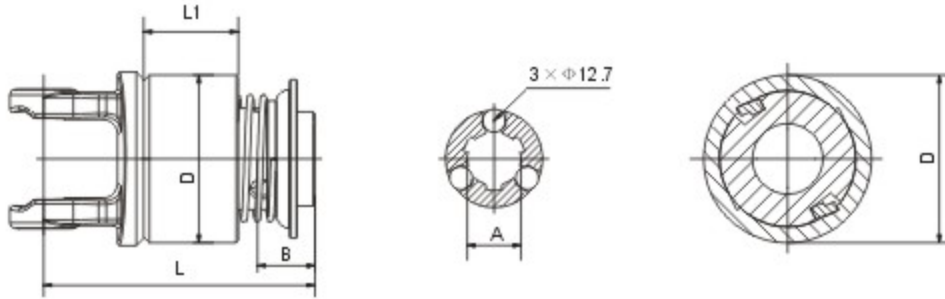
13/8"-Z6?13/8"-Z21 For example:138RAS 1138?121RAS 1121


Overrunning clutch SERIES RA1、RA1S

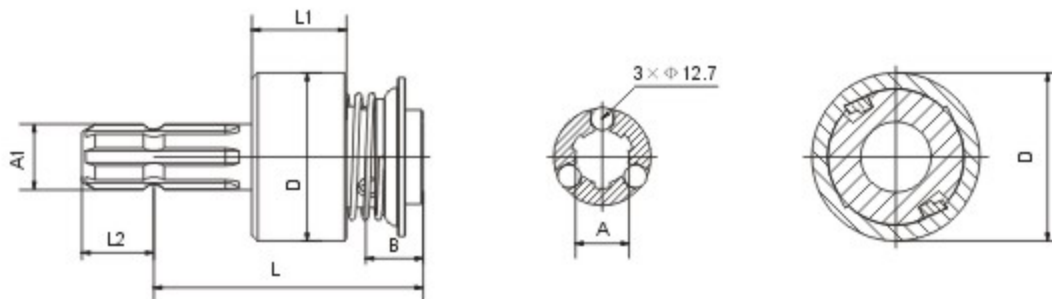


1	Greaser M6×1	
2	Yoke (type 10)	
	Yoke (type 20)	
	Yoke (type 30)	
	Yoke (type 40)	
	Yoke (type 50)	
	Yoke (type 60)	
	Yoke (type 7N)	
3	tube=56	
4	A=Ratchet	
	B=spring	
5	Hub=1 3/8"-Z6 1 3/8"-Z21	
6	Spring	
7	Pins	
8	Retaining washer	
9	Grease protection	
10	Cirdip	
2.1	Hub=1 3/8"-Z6 1 3/8"-Z21	

Overrunning clutch Series RA2, RA2S



Series	Type		L1	L	D	B	A	Torque Nm	Code
T10	1RA2--	22×54	54	149	90	20	13/8"-Z6 13/8"-Z21	3000	6001RA2138
									6001RA2121
T20	2RA2--	23.8×61	54	149					6002RA2138
									6002RA2121
T30	3RA2--	27×70	54	167					6003RA2138
									6003RA2121
T40	4RA2--	27×74.6	54	167					6004RA2138
									6004RA2121
T50	5RA2--	30.22×80	54	157	6005RA2138				
					6005RA2121				
T60	6RA2--	30.22×92	54	167	6006RA2138				
					6006RA2121				
T7N	7NRA2--	35×94	54	167	6007NRA2138				
					6007NRA2121				

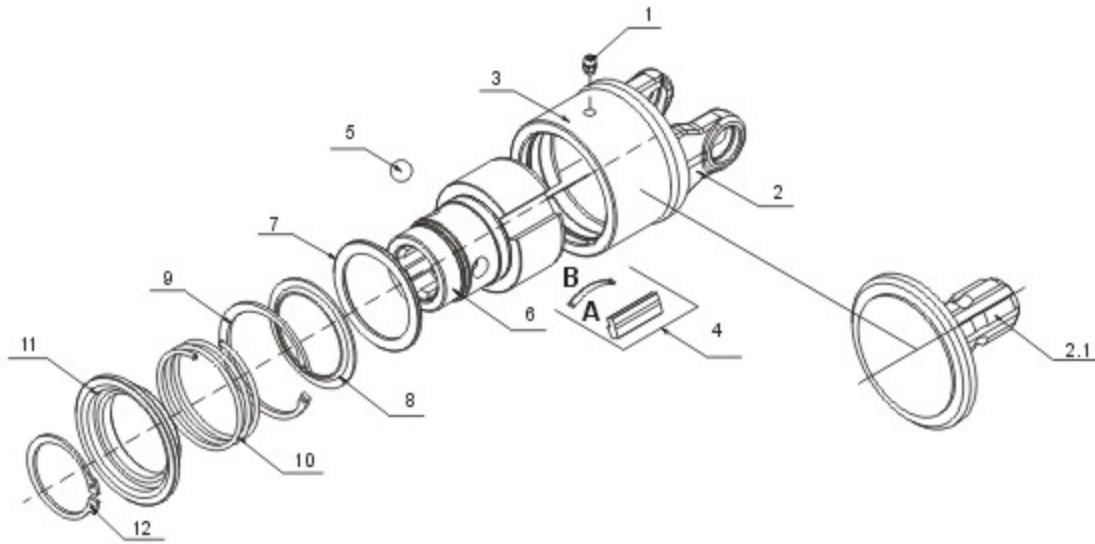


Type	Torque Nm	L1	L2	L	A1	A	B	D	Code
RA2S	3800	54	38	155	13/8"-Z6 13/8"-Z21		20	90	-
									-

NOTE: available upon request for anti-clockwise direction of rotation.

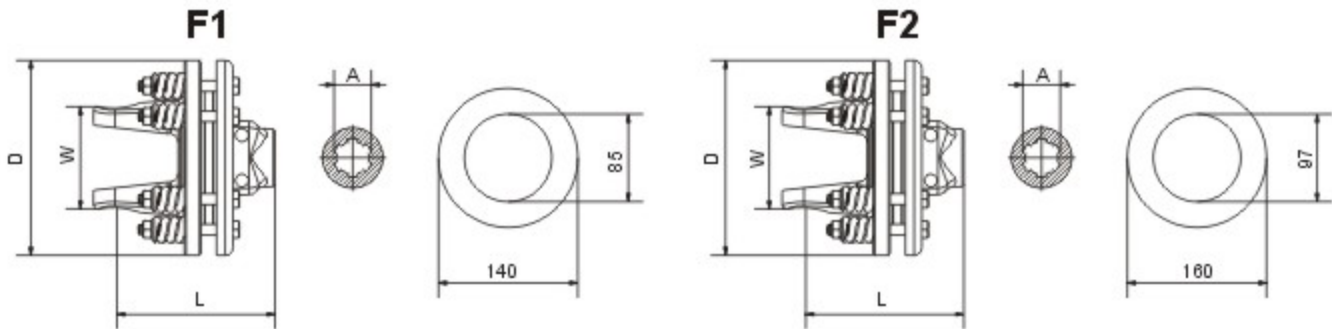
The device is used to transmit the motion in a single rotation direction, when the tractor drives the implement. During the stopping phase, with the tractor PTO disengaged and the implement still moving, the transmission is disconnected. This device is useful for operating machinery with high rotation inertia because during the stopping phase, the tractor PTO is dis-engaged from the driven machine.

Overrunning clutch Series RA2、RA2S



1	Greaser M6×1	
2	Yoke (type 10)	
	Yoke (type 20)	
	Yoke (type 30)	
	Yoke (type 40)	
	Yoke (type 50)	
	Yoke (type 60)	
	Yoke (type 7N)	
3	Tube=54	
4	A=Ratchet	
	B=Leaf spring	
5	Ball 1/2"	
6	Hub=1 3/8"-Z6 1 3/8"-Z21	
7	Retaining washer ring	
8	Spring push ring	
9	Circlip	
10	Collar spring	
11	Sliding sleeve collar	
12	Circlip	
2.1	Hub=1 3/8"-Z6 1 3/8"-Z21	

Friction torque limiter Series FFV1-FFV2



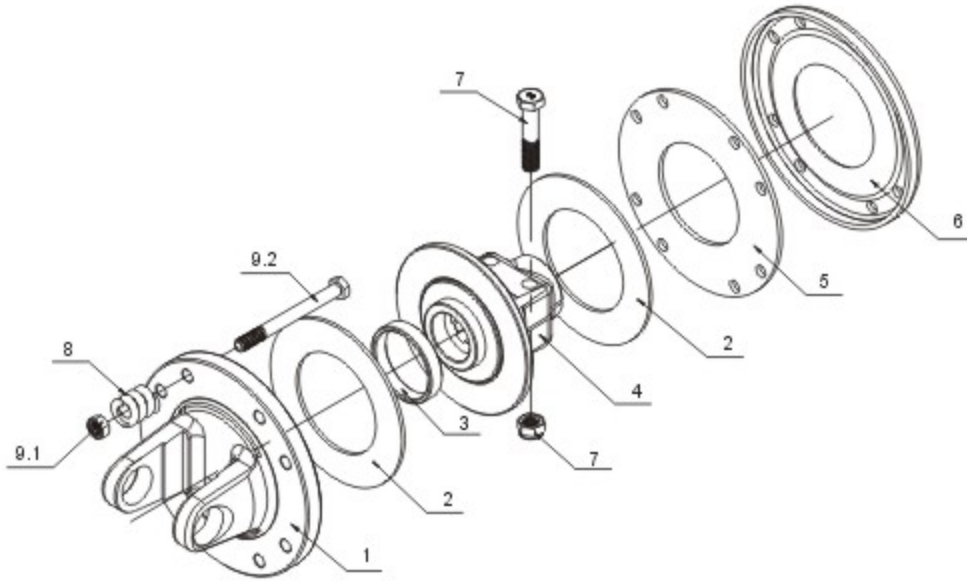
Series W-S	Series T-G		F1-F2	A	L	D	W	Torque Nm max.	Type	Code	
W210		27×74.6	F1	13/8"-Z6	143	180	90	900	FFV1W210138	701W210138	
W2400 (035)		32×76	F2	13/8"-Z6	143	200	90	1200	FFV2W035138	702W035138	
				13/8"-Z21					FFV2W035121	702W035121	
				13/4"-Z6	149				FFV2W035134	702W035134	
				13/4"-Z20					FFV2W035120	702W035120	
T40	27×74.6		F1	13/8"-Z6	155	180	83	900	FFV1421138	701421138	
				13/8"-Z21					FFV1421121	701421121	
			F2	13/8"-Z6	154			200	1200	FFV2421138	702421138
				13/8"-Z21						FFV2421121	702421121
T50	30.22×80		F1	13/8"-Z6	153	180	95	900	FFV1500138	701500138	
				13/8"-Z21					FFV1500121	701500121	
			F2	13/8"-Z6		200		1200	FFV2500138	702500138	
				13/8"-Z21					FFV2500121	702500121	
T60	30.22×92		F1	13/8"-Z6	162	180	101	900	FFV1622138	701622138	
				13/8"-Z21					FFV1622121	701622121	
			F2	13/8"-Z6	161	200		1200	FFV2622138	702622138	
				13/8"-Z21					FFV2622121	702622121	
				13/4"-Z6					FFV2622134	702622134	
				13/4"-Z20					FFV2622120	702622120	
T7N	35×94		F2	13/8"-Z6	158	200	105	1200	FFV27N138	7027N138	
				13/8"-Z21					FFV27N121	7027N121	
				13/4"-Z6					FFV27N134	7027N134	
				13/4"-Z20					FFV27N120	7027N120	
T80	34.9×106.3		F2	13/8"-Z6	168	200	125	1200	FFV2824138	702824138	
				13/8"-Z21					FFV2824121	702824121	
				13/4"-Z6					FFV2824134	702824134	
				13/4"-Z20					FFV2824120	702824120	

The torque limiter is activated when the setting torque exceeds the calibration torque. During the torque peak limiting phase, the clutch continues to transmit power. The clutch is useful as a safety device to protect against load peaks and to start machines with high rotational inertia. It is recommended to ensure that the setting value is correct to avoid excessive heating of the friction discs (insufficient setting) or clutch seizing (excessive setting).



Friction clutches may become hot during use.
Do not touch!
Keep the area around the friction clutch clear of any material which could catch fire and avoid prolonged slipping.

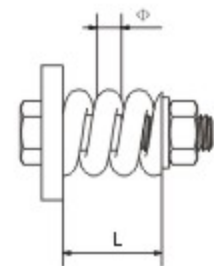
Friction torque limiter Series FFV1-FFV2



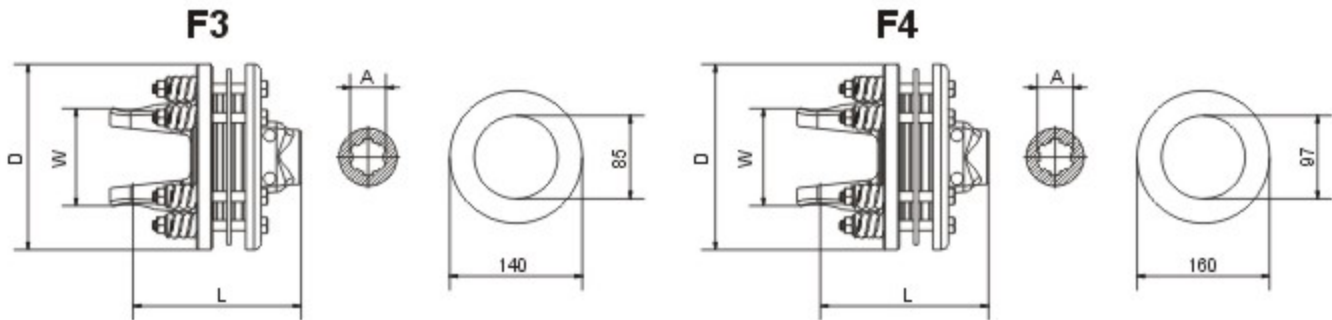
1	Flanged yoke	
2	(F1)Lining rings $\Phi 140 \times \Phi 85$ (F2)Lining rings $\Phi 160 \times \Phi 97$	
3	Bush	
4	Hub=1 3/8"-Z6 1 3/8"-Z21	
5	Inner plate	
6	Pressure plate	
7	Bolt M12×1, 25×65 + nut 8.8	
8	Spring	
9	Bolt M10×1, 5×85 + nut	


TORQUE SPECIFICATIONS

Spring L	F1			F2		
	$\Phi 5$ Nm	$\Phi 6$ Nm	$\Phi 7$ Nm	$\Phi 5$ Nm	$\Phi 6$ Nm	$\Phi 7$ Nm
L=28.5	240	390	640	280	470	770
L=28	320	510	850	360	610	1010
L=27.5	380	640	1070	440	740	1220
L=27	460	750	1230	520	860	1400
L=26.5	520	850	1360	590	980	1570
L=26	580	930	-	650	1070	-
L=25.5	620	-	-	700	-	-



Friction torque limiter Series FFV3-FFV4



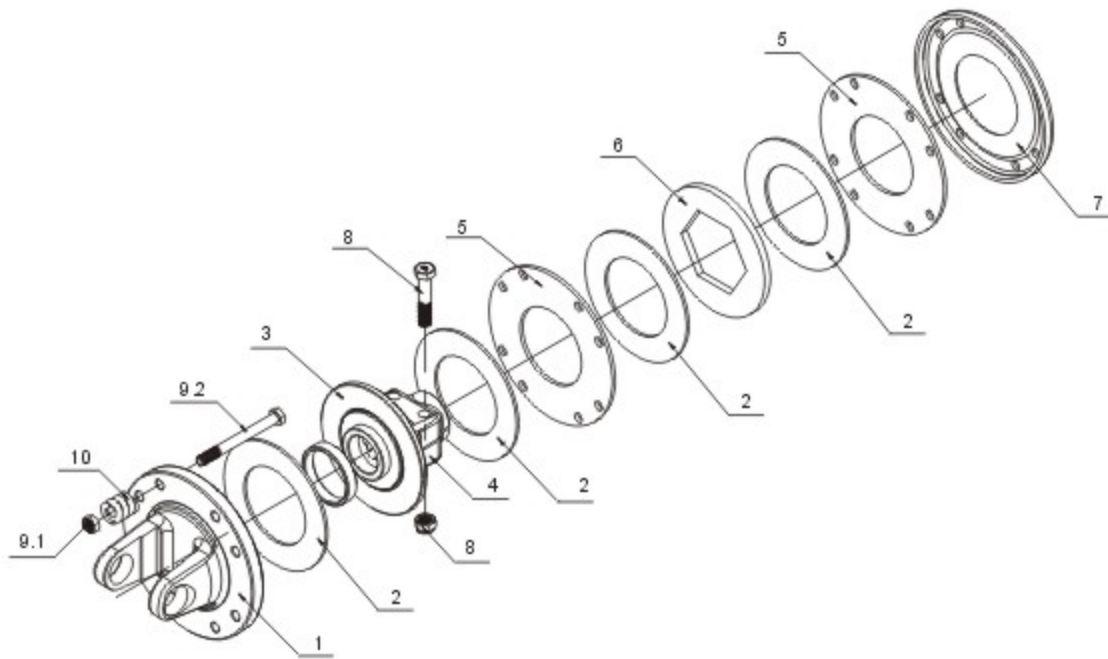
Series W-S	Series T-G		F3-F4	A	L	D	W	Torque Nm max.	Type	Code
W2400 (035)		32×76	F4	13/8"-Z6	161	200	90	1450	FFV4W035138	704W035138
				13/8"-Z21					FFV4W035121	704W035121
				13/4"-Z6	167				FFV4W035134	704W035134
				13/4"-Z20					FFV4W035120	704W035120
W2500 (036)		36×89	F4	13/8"-Z6	167	200	103	1700	FFV4W036138	704W036138
				13/8"-Z21					FFV4W036121	704W036121
				13/4"-Z6	173				FFV4W036134	704W036134
				13/4"-Z20					FFV4W036120	704W036120
W2600 (026)		42×104	F4	13/8"-Z6	196	200	122	2000	FFV4W026138	704W026138
				13/8"-Z21					FFV4W026121	704W026121
				13/4"-Z6	202				FFV4W026134	704W026134
				13/4"-Z20					FFV4W026120	704W026120
T50-G50		30.22×80	F3	13/8"-Z6	170	180	95	2000	FFV3500138	703500138
				13/8"-Z21					FFV3500121	703500121
			F4	13/8"-Z6		200		2000	FFV4500138	704500138
				13/8"-Z21					FFV4500121	704500121
				13/4"-Z6					FFV4500134	704500134
				13/4"-Z20					FFV4500120	704500120
T60-G60		30.22×92	F3	13/8"-Z6	178	180	101	2000	FFV3622138	703622138
				13/8"-Z21					FFV3622121	703622121
			F4	13/8"-Z6		200		2000	FFV4622138	704622138
				13/8"-Z21					FFV4622121	704622121
				13/4"-Z6					FFV4622134	704622134
				13/4"-Z20					FFV4622120	704622120
T7N		35×94	F4	13/8"-Z6	175	200	105	2500	FFV47N138	7047N138
				13/8"-Z21					FFV47N121	7047N121
				13/4"-Z6					FFV47N134	7047N134
				13/4"-Z20					FFV47N120	7047N120
T80		34.9×106.3	F4	13/8"-Z6	186	200	125	2000	FFV4824138	704824138
				13/8"-Z21					FFV4824121	704824121
				13/4"-Z6					FFV4824134	704824134
				13/4"-Z20					FFV4824120	704824120

The torque limiter is activated when the setting torque exceeds the calibration torque. During the torque peak limiting phase, the clutch continues to transmit power. The clutch is useful as a safety device to protect against load peaks and to start machines with high rotational inertia. It is recommended to ensure that the setting value is correct to avoid excessive heating of the friction discs (insufficient setting) or clutch seizing (excessive setting).



Friction clutches may become hot during use.
Do not touch!
Keep the area around the friction clutch clear of any material which could catch fire and avoid prolonged slipping.

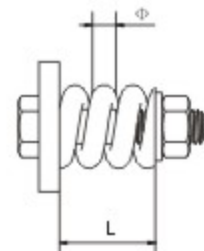
Friction torque limiter Series FFV3-FFV4



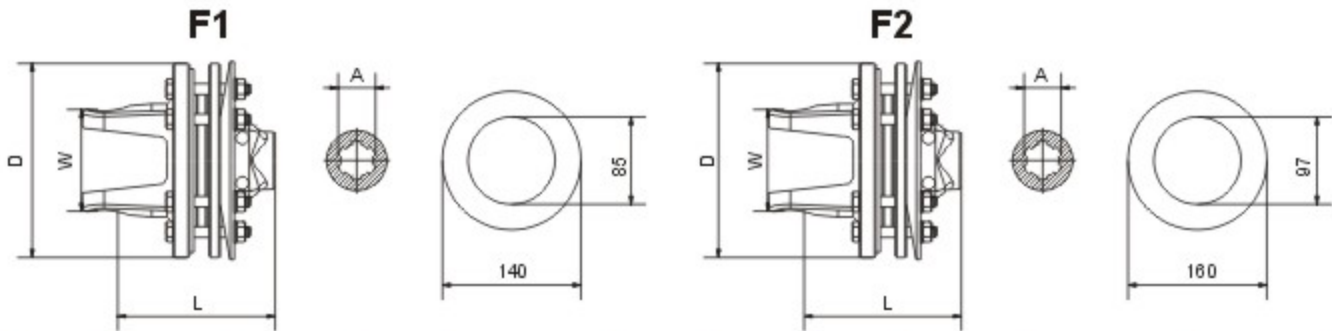
1	Flanged yoke	
2	(F3)Lining rings $\Phi 140 \times \Phi 85$ (F4)Lining rings $\Phi 160 \times \Phi 97$	
3	Bush	
4	Hub=1 3/8"-Z6 1 3/8"-Z21	
5	Inner plate	
6	Intermediate plate	
7	Pressure plate	
8	Bolt M12×1, 25×65 + nut 8.8	
9	Bolt M10×1, 5×85 + nut 8.8	
10	Spring	


TORQUE SPECIFICATIONS

Spring L	F3			F4		
	$\Phi 5$ Nm	$\Phi 6$ Nm	$\Phi 7$ Nm	$\Phi 5$ Nm	$\Phi 6$ Nm	$\Phi 7$ Nm
L=28.5	480	780	-	560	940	1540
L=28	640	1020	-	720	1220	2000
L=27.5	760	1280	-	880	1480	2440
L=27	920	1500	-	1040	1720	2800
L=26.5	1040	1700	-	1180	1960	3140
L=26	1160	1860	-	1300	2140	-
L=25.5	1240	-	-	1400	-	-



Friction torque limiter Series FFVT1-FFVT2



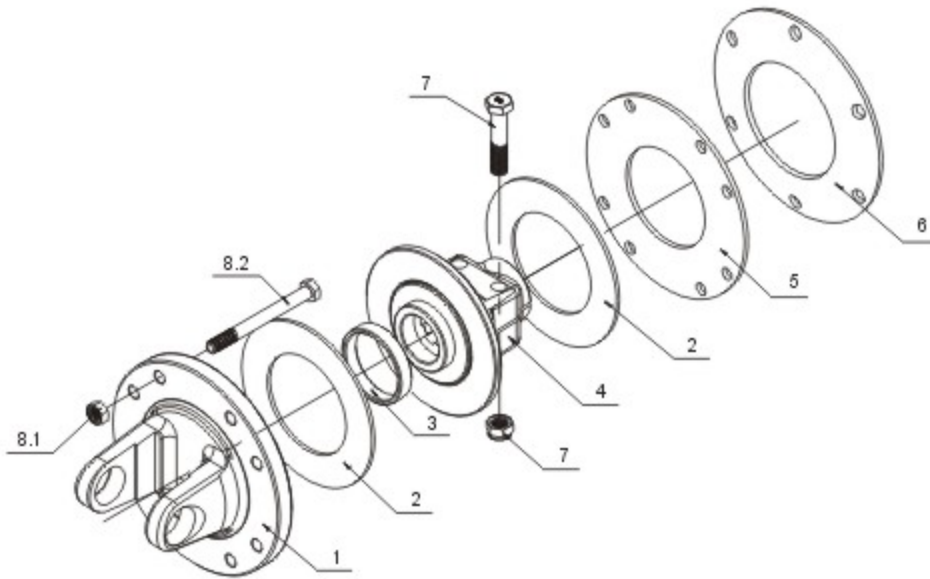
Series W-S	Series T-G		F1-F2	A	L	D	W	Torque Nm max.	Type	Code	
W210		27×74.6	F1	13/8"-Z6	143	180	90	900	FFVT1W210138	70T1W210138	
W2400 (035)		32×76	F2	13/8"-Z6	143	200	90	1200	FFVT2W035138	70T2W035138	
				13/8"-Z21					FFVT2W035121	70T2W035121	
				13/4"-Z6	149				FFVT2W035134	70T2W035134	
				13/4"-Z20					FFVT2W035120	70T2W035120	
T40	27×74.6		F1	13/8"-Z6	154	180	83	1000	FFVT1421138	70T1421138	
				13/8"-Z21		FFVT1421121			70T1421121		
			F2	13/8"-Z6		200		1500	FFVT2421138	70T2421138	
				13/8"-Z21					FFVT2421121	70T2421121	
T50	30.22×80		F1	13/8"-Z6	154	180	95	1000	FFVT1500138	70T1500138	
				13/8"-Z21		FFVT1500121			70T1500121		
			F2	13/8"-Z6		153		200	1500	FFVT2500138	70T2500138
				13/8"-Z21						FFVT2500121	70T2500121
T60	30.22×92		F1	13/8"-Z6	161	180	101	1000	FFVT1622138	70T1622138	
				13/8"-Z21		FFVT1622121			70T1622121		
			F2	13/8"-Z6		200		1500	FFVT2622138	70T2622138	
				13/8"-Z21					FFVT2622121	70T2622121	
				13/4"-Z6					FFVT2622134	70T2622134	
				13/4"-Z20					FFVT2622120	70T2622120	
T7N	35×94		F2	13/8"-Z6	166	200	105	1800	FFVT27N138	70T27N138	
				13/8"-Z21					FFVT27N121	70T27N121	
				13/4"-Z6					FFVT27N134	70T27N134	
				13/4"-Z20					FFVT27N120	70T27N120	
T80	34.9×106.3		F2	13/8"-Z6	169	200	125	1800	FFVT2824138	70T2824138	
				13/8"-Z21					FFVT2824121	70T2824121	
				13/4"-Z6					FFVT2824134	70T2824134	
				13/4"-Z20					FFVT2824120	70T2824120	

The torque limiter is activated when the setting torque exceeds the calibration torque. During the torque peak limiting phase, the clutch continues to transmit power. The clutch is useful as a safety device to protect against load peaks and to start machines with high rotational inertia. It is recommended to ensure that the setting value is correct to avoid excessive heating of the friction discs (insufficient setting) or clutch seizing (excessive setting).



Friction clutches may become hot during use.
Do not touch!
Keep the area around the friction clutch clear of any material which could catch fire and avoid prolonged slipping.

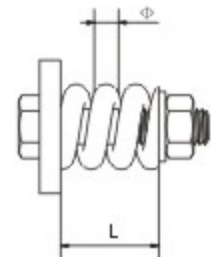
Friction torque limiter Series FFVT1-FFVT2



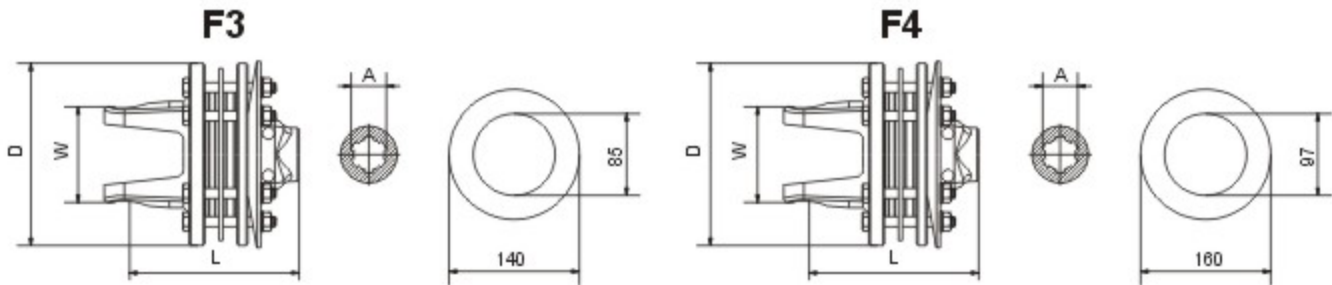
1	Flanged yoke	
2	(F1)Lining rings $\Phi 140 \times \Phi 85$ (F2)Lining rings $\Phi 160 \times \Phi 97$	
3	Bush	
4	Hub=1 3/8"-Z6 1 3/8"-Z21	
5	Inner plate	
6	Belleville spring	
7	Bolt M12×1, 25×65 + nut 8.8	
8	Bolt M10×1, 5×85 + nut 8.8	

TORQUE SPECIFICATIONS

Spring L	F1			F2		
	$\Phi 5$ Nm	$\Phi 6$ Nm	$\Phi 7$ Nm	$\Phi 5$ Nm	$\Phi 6$ Nm	$\Phi 7$ Nm
L=28.5	240	390	640	280	470	770
L=28	320	510	850	360	610	1010
L=27.5	380	640	1070	440	740	1220
L=27	460	750	1230	520	860	1400
L=26.5	520	850	1360	590	980	1570
L=26	580	930	-	650	1070	-
L=25.5	620	-	-	700	-	-



Friction torque limiter Series FFVT3-FFVT4



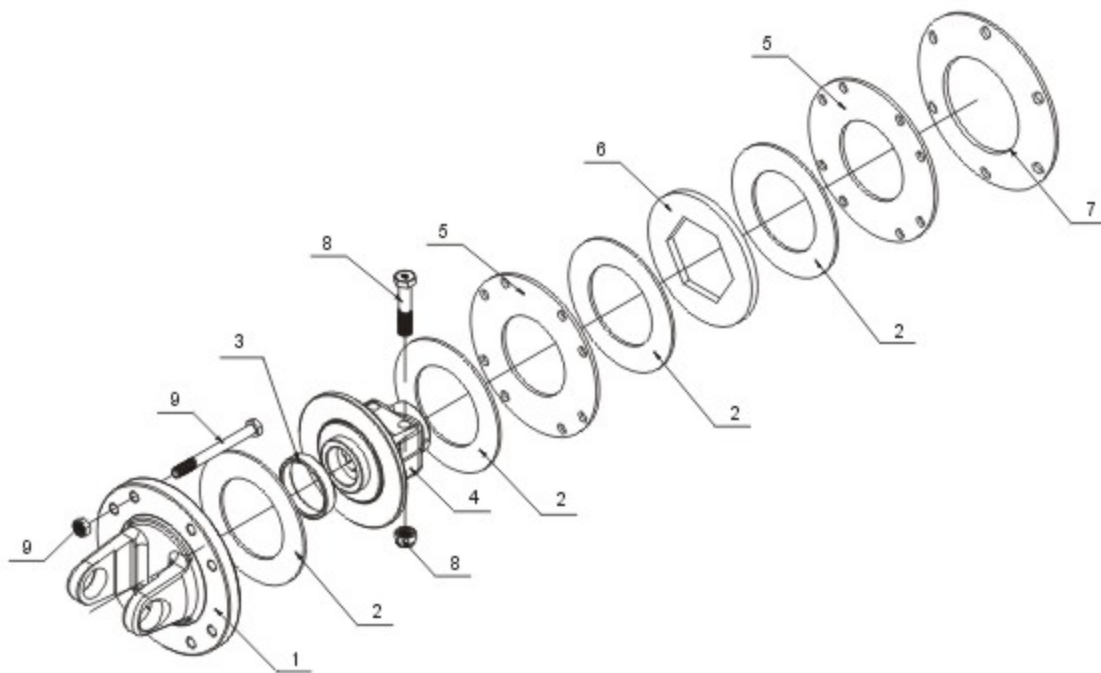
Series W-S	Series T-G		F3-F4	A	L	D	W	Torque Nm max.	Type	Code			
W2400 (035)		32×76	F3	13/8"-Z6	161	200	90	1450	FFVT4W035138	70T4W035138			
				13/8"-Z21					FFVT4W035121	70T4W035121			
				13/4"-Z6	167				FFVT4W035134	70T4W035134			
				13/4"-Z20					FFVT4W035120	70T4W035120			
W2500 (036)		36×89	F4	13/8"-Z6	167	200	103	1700	FFVT4W036138	70T4W036138			
				13/8"-Z21					FFVT4W036121	70T4W036121			
				13/4"-Z6	173				FFVT4W036134	70T4W036134			
				13/4"-Z20					FFVT4W036120	70T4W036120			
W2600 (026)		42×104	F4	13/8"-Z6	196	200	122	2000	FFVT4W026138	70T4W026138			
				13/8"-Z21					FFVT4W026121	70T4W026121			
				13/4"-Z6	202				FFVT4W026134	70T4W026134			
				13/4"-Z20					FFVT4W026120	70T4W026120			
T50-G50	30.22×80		F3	13/8"-Z6	167	180	95	2000	FFVT3500138	70T3500138			
				13/8"-Z21					FFVT3500121	70T3500121			
			F4	13/8"-Z6	168	200	2000	FFVT4500138	70T4500138				
				13/8"-Z21				FFVT4500121	70T4500121				
				13/4"-Z6				FFVT4500134	70T4500134				
				13/4"-Z20				FFVT4500120	70T4500120				
			T60-G60	30.22×92		F3	13/8"-Z6	175	180	101	2000	FFVT3622138	70T3622138
							13/8"-Z21					FFVT3622121	70T3622121
F4	13/8"-Z6	177				200	2000	FFVT4622138	70T4622138				
	13/8"-Z21							FFVT4622121	70T4622121				
	13/4"-Z6							FFVT4622134	70T4622134				
	13/4"-Z20							FFVT4622120	70T4622120				
T7N	35×94					F4	13/8"-Z6	181	200	105	2500	FFVT47N138	70T47N138
							13/8"-Z21					FFVT47N121	70T47N121
			13/4"-Z6	FFVT47N134	70T47N134								
			13/4"-Z20	FFVT47N120	70T47N120								
T80	34.9×106.3		F4	13/8"-Z6	185	200	125	2500	FFVT4824138	70T4824138			
				13/8"-Z21					FFVT4824121	70T4824121			
				13/4"-Z6					FFVT4824134	70T4824134			
				13/4"-Z20					FFVT4824120	70T4824120			

The torque limiter is activated when the setting torque exceeds the calibration torque. During the torque peak limiting phase, the clutch continues to transmit power. The clutch is useful as a safety device to protect against load peaks and to start machines with high rotational inertia. It is recommended to ensure that the setting value is correct to avoid excessive heating of the friction discs (insufficient setting) or clutch seizing (excessive setting).



Friction clutches may become hot during use.
Do not touch!
Keep the area around the friction clutch clear of any material which could catch fire and avoid prolonged slipping.

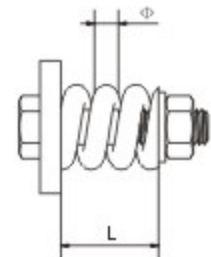
Friction torque limiter Series FFVT3-FFVT4



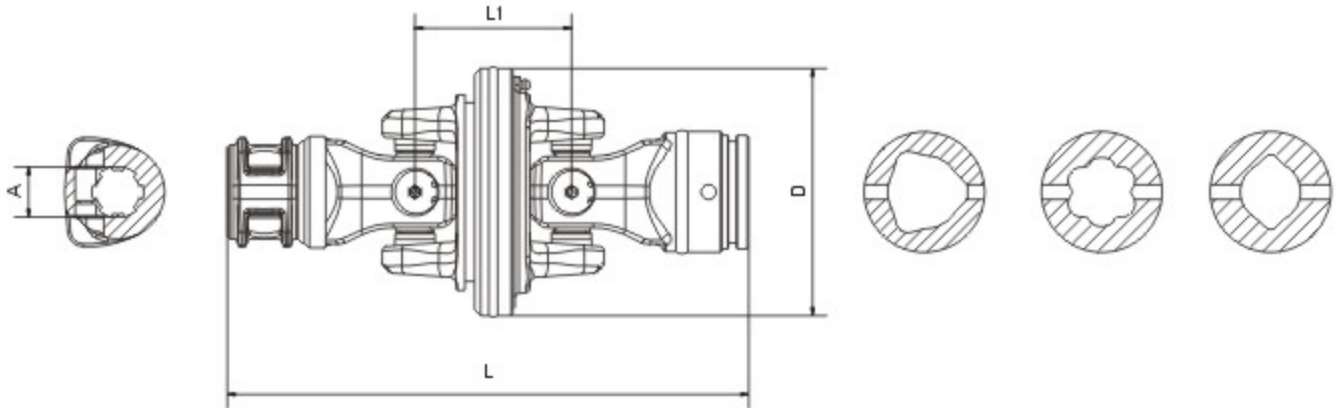
1	Flanged yoke
2	(F3)Lining rings $\Phi 140 \times \Phi 85$ (F4)Lining rings $\Phi 160 \times \Phi 97$
3	Bush
4	Hub=1 3/8"-Z6 1 3/8"-Z21
5	Inner plate
6	Intermediate plate
7	Belleville spring
8	Bolt M12×1, 25×65 + nut 8.8
9	Bolt M10×1, 5×85 + nut 8.8

TORQUE SPECIFICATIONS

Spring L	F3			F4		
	$\Phi 5$ Nm	$\Phi 6$ Nm	$\Phi 7$ Nm	$\Phi 5$ Nm	$\Phi 6$ Nm	$\Phi 7$ Nm
L=28.5	480	780	-	560	940	1540
L=28	640	1020	-	720	1220	2000
L=27.5	760	1280	-	880	1480	2440
L=27	920	1500	-	1040	1720	2800
L=26.5	1040	1700	-	1180	1960	3140
L=26	1160	1860	-	1300	2140	-
L=25.5	1240	-	-	1400	-	-

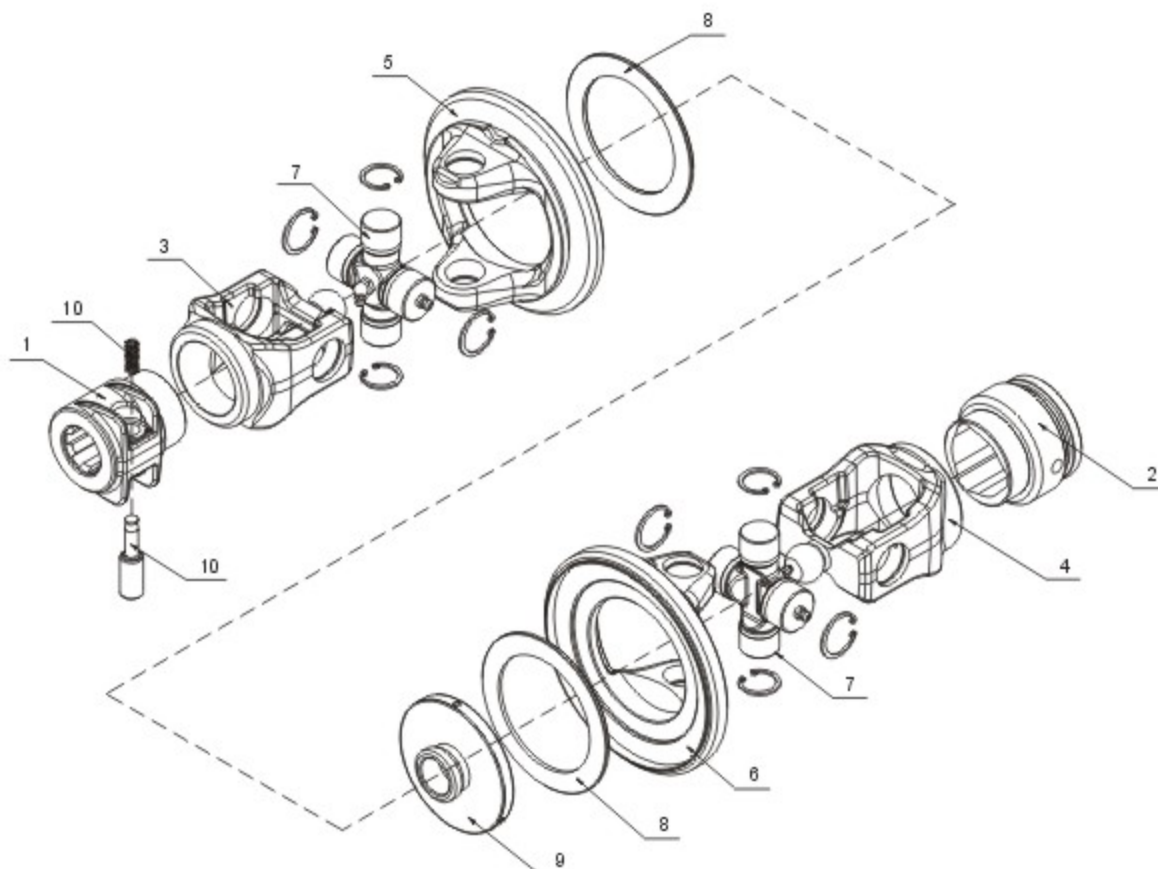


Constant velocity joint Series V



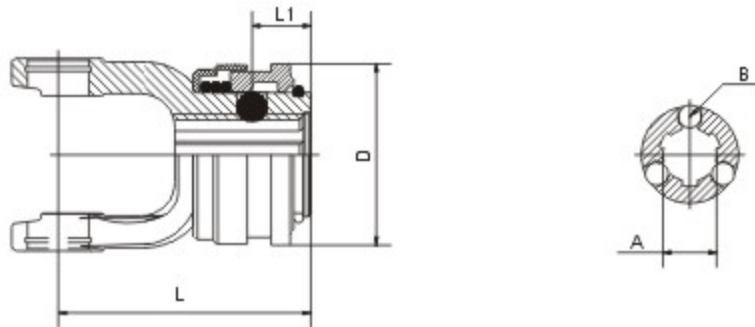
Series W-S	Series T		A	L1	L	D	Type	Code
W210		23.8×91 27×74.6	13/8"-Z6	95	287	155	VW210138	800W210138
			13/8"-Z21				VW210121	800W210121
W2400 (035)		27×94 32×76	13/8"-Z6	105	350	166	VW035138	800W035138
			13/8"-Z21				VW035121	800W035121
S2500 (036)		32×106.3 36×89	13/8"-Z6	118	348	182	VW036138	800W036138
			13/8"-Z21				VW036121	800W036121
	T40	23.8×91 27×74.6	13/8"-Z6	95	287	155	V421138	800421138
			13/8"-Z21				V421121	800421121
	T60	27×94 32×76	13/8"-Z6	105	350	166	V622138	800622138
			13/8"-Z21				V622121	800622121
	T80	32×106.3 36×89	13/8"-Z6	118	348	182	V824138	800824138
			13/8"-Z21				V824121	800824121


Constant velocity joint Series V



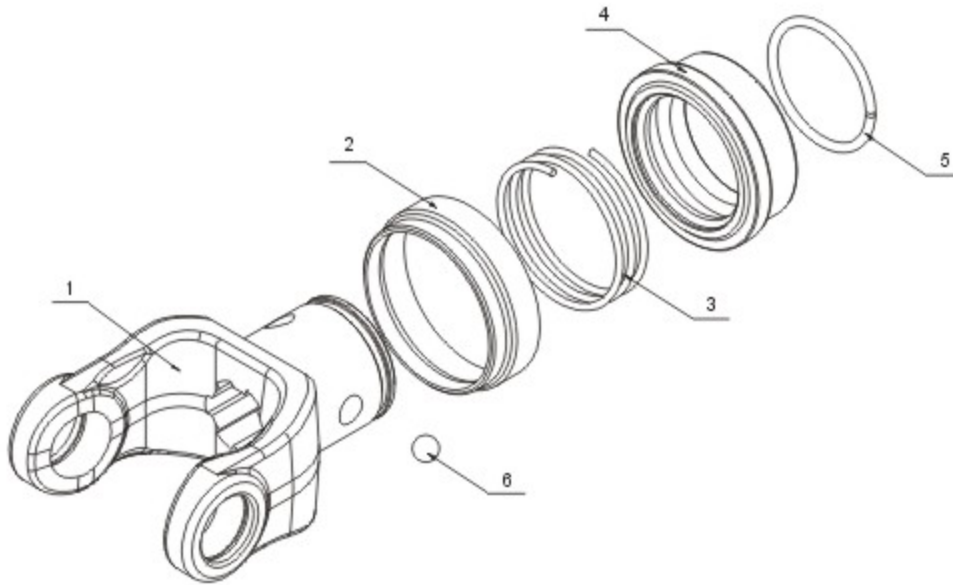
1	Hub=1 3/8"-Z6 1 3/8"-Z21	
2	female connector	
3	Yoke 1	
4	Yoke 2	
5	Flanged yoke 1	
6	Flanged yoke 2	
7	Cross journal	
8	Retaining washer ring	
9	Slider	
10	Spring+pins	

Speedlash Series SP



Series		Type	D	L1	L	A	B	Code
T10	22×54	SP110138	80	24	94	13/8"-Z6	S Φ12.7	900110138
		SP110121				13/8"-Z21		900110121
T20	23.8×61	SP220138			102	13/8"-Z6		900220138
		SP220121				13/8"-Z21		900220121
T30	27×70	SP311138			106	13/8"-Z6		900311138
		SP311121				13/8"-Z21		900311121
T40	27×74.6	SP421138			108	13/8"-Z6		900421138
		SP421121				13/8"-Z21		900421121
T50	30.22×80	SP500138			113	13/8"-Z6		900500138
		SP500121				13/8"-Z21		900500121
T60	30.22×92	SP622138			120	13/8"-Z6		900622138
		SP622121				13/8"-Z21		900622121
T70	30.22×106.3	SP723138			125	13/8"-Z6		900723138
		SP723121				13/8"-Z21		900723121
T7N	35×94	SP7N138			120	13/8"-Z6		9007N138
		SP7N121				13/8"-Z21		9007N121
T80	34.9×106.3	SP824138	128	13/8"-Z6	900824138			
		SP824121		13/8"-Z21	900824121			

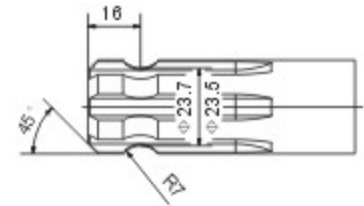
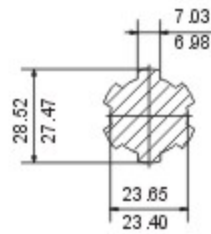
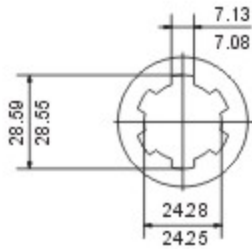
Speedlash Series SP



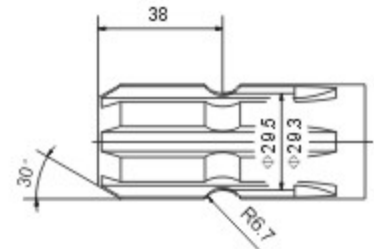
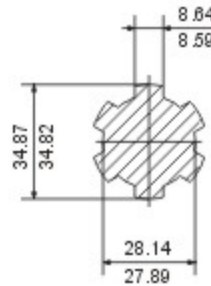
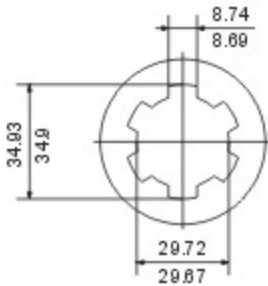
1	Yoke (type 10) 1	1 3/8"-Z6	
	Yoke (type 10) 1	1 3/8"-Z21	
	Yoke (type 20) 1	1 3/8"-Z6	
	Yoke (type 20) 1	1 3/8"-Z21	
	Yoke (type 30) 1	1 3/8"-Z6	
	Yoke (type 30) 1	1 3/8"-Z21	
	Yoke (type 40) 1	1 3/8"-Z6	
	Yoke (type 40) 1	1 3/8"-Z21	
2	Yoke (type 50) 1	1 3/8"-Z6	
	Yoke (type 50) 1	1 3/8"-Z21	
3	Yoke (type 60) 1	1 3/8"-Z6	
	Yoke (type 60) 1	1 3/8"-Z21	
4	Yoke (type 7N) 1	1 3/8"-Z6	
	Yoke (type 7N) 1	1 3/8"-Z21	
5	Yoke (type 80) 1	1 3/8"-Z6	
	Yoke (type 80) 1	1 3/8"-Z21	
2	Protection set		
3	Collar spring		
4	Sliding sleeve collar		
5	Snap ring		
6	Ball 1/2"		

Splined dimensions

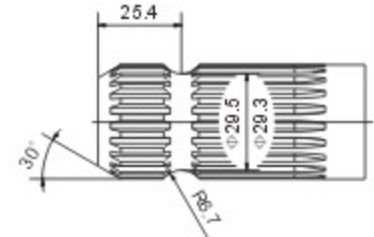
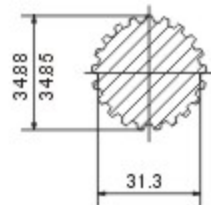
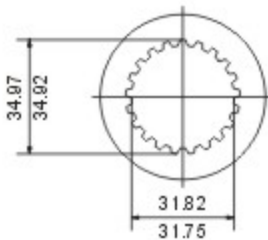
1 1/8"-Z6



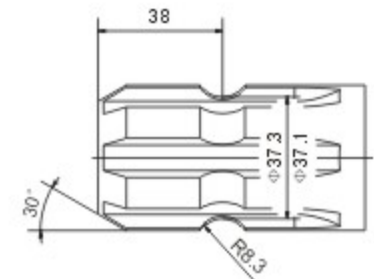
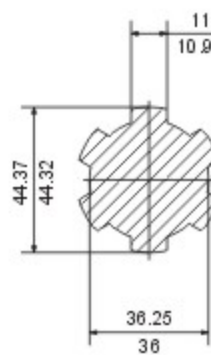
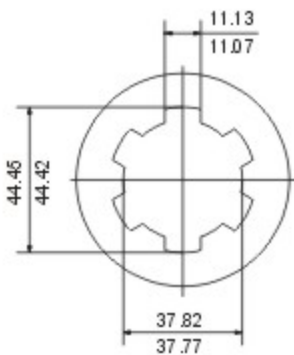
1 3/8"-Z6



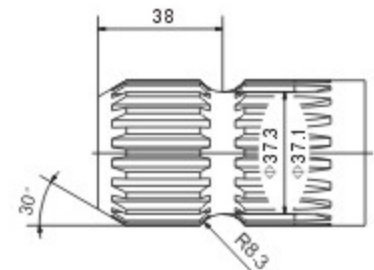
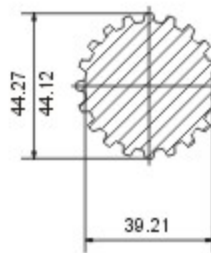
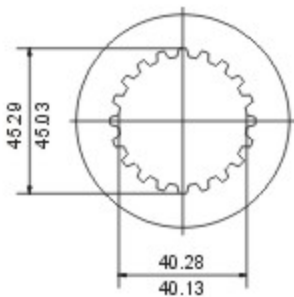
1 3/8"-Z21



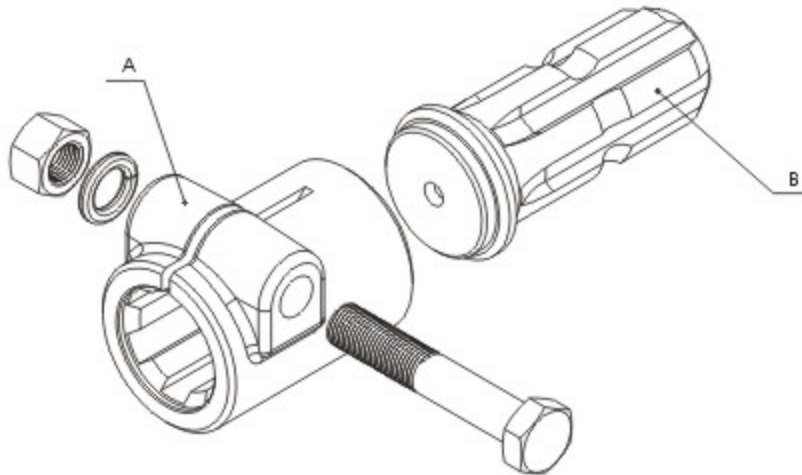
1 3/4"-Z6









1 3/4"-Z20



PTO adaptor & splined shaft



Code	A	B	Length	Code	A	B	Length
300138B118	 13/8"-Z6	1 1/8"-Z6	135	300138P118	 13/8"-Z6	1 1/8"-Z6	135
300138B138		1 3/8"-Z6	160	300138P138		1 3/8"-Z6	160
300138B134		1 3/4"-Z6	165	300138P134		1 3/4"-Z6	165
300138B121		1 3/8"-Z21	160	300138P121		1 3/8"-Z21	160
300138B120		1 3/4"-Z20	165	300138P120		1 3/4"-Z20	165
300134B138	 1 3/4"-Z6	1 3/8"-Z6	160	300121P118	 1 3/8"-Z21	1 1/8"-Z6	135
300134B121		1 3/8"-Z21	170	300121P138		1 3/8"-Z6	160
300134B120		1 3/4"-Z20	175	300121P134		1 3/4"-Z6	165
300121B118	 1 3/8"-Z21	1 1/8"-Z6	135	300121P120		1 3/4"-Z20	
300121B138		1 3/8"-Z6	160				
300121B134		1 3/4"-Z6	165				
300121B120		1 3/4"-Z20					
300120B138	 1 3/4"-Z20	1 3/8"-Z6	170				
300120B134		1 3/4"-Z6	175				
300120B121		1 3/8"-Z21	170				

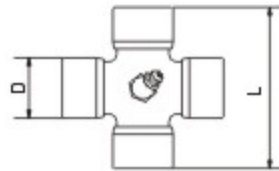
PTO adaptor & splined shaft

L	Splined bush					Spline joint
	$F \frac{1\frac{1}{8}''}{-Z6}$	$F \frac{1\frac{3}{8}''}{-Z6}$	$F \frac{1\frac{3}{4}''}{-Z6}$	$F \frac{1\frac{3}{8}''}{-Z21}$	$F \frac{1\frac{3}{4}''}{-Z20}$	$F \frac{1\frac{3}{8}''}{-Z6}$
60	302G118060	302G138060	302G134060	302G121060	302G120060	
65	302G118065	302G138065	302G134065	302G121065	302G120065	
80	302G118080	302G138080	302G134080	302G121080	302G120080	302G138080S
100	302G118100	302G138100	302G134100	302G121100	302G120100	
120		302G138120				
130		302G138130				

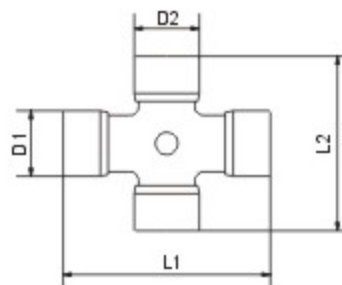
L	Splined shaft (one end)				
	$F \frac{1\frac{1}{8}''}{-Z6}$	$F \frac{1\frac{3}{8}''}{-Z6}$	$F \frac{1\frac{3}{4}''}{-Z6}$	$F \frac{1\frac{3}{8}''}{-Z21}$	$F \frac{1\frac{3}{4}''}{-Z20}$
-	301G118---	301G138---	301G134---	301G121---	301G120---

L	Splined shaft (both ends)				
	$F \frac{1\frac{1}{8}''}{-Z6}$	$F \frac{1\frac{3}{8}''}{-Z6}$	$F \frac{1\frac{3}{4}''}{-Z6}$	$F \frac{1\frac{3}{8}''}{-Z21}$	$F \frac{1\frac{3}{4}''}{-Z20}$
-	301G118D---	301G138D--	301G134D--	301G121D--	301G120D--

Corss journal



Series	Type	D	L
T10	2000110	22	54
W100	2000010	22	55
T20-W200	2000220	23.8	61
T30-W1	2000311	27	70
T40-W210-W2300 S	2000421	27	74.6
W220	2000622	30.18	92
S230	2000723	30.18	106.3
T50-G50	2000500	30.22	80
T60-G60	2000600	30.22	92
T70	2000700	30.22	106.3
W2400(035)	2000035	32	76
T80-G80-S240	2000824	34.9	106.3
T7N-G70	200007N	35	94
S2500(036)	2000036	36	89
T90-G90	2000900	41	108
S2600(026)	2000026	42	104



Series	Type	D1	L1	D2	L2
T40 W210	20002040	23.8	91	27	74.6
T60 W2400	20004035	27	94	32	76
T80 W2500	20003536	32	106.3	36	89

Tubes

Inner				Outer			
Type	A	B	Code	Type	A	B	Code
T10	26.5	3.5	301T263	T10	33	2.6	302T332
T20	29	3.5	301T293	T20	36	3.4	301T363
T30	36	3.4	301T363	T30	43	3	302T433
T40	36	4.5	301T364	T40	43	3	302T433
T50	45	4	301T454	T50	52	3	302T523
T60	45	4	301T454	T60	54	4	302T544
T70	45	5.5	301T455	T70	54	4	302T544
T80	54	4	301T544	T80	63	4	302T634
T90	54	6	301T546	T90	63	4	302T634

Inner				Outer					
Type	A	B	S	Code	Type	A	B	S	Code
W100	23.8	31	5	301L235	W100	30	39	3	302L303
W200-W1-W210	34.5	40	4	301L344	W200-W1-W210	41.3	48	3	302L413
W2300S-W220 W2400(035)	39.5	49	5	301L395	W2300S-W220 W2400(035)	48	57.5	4	302L484

Inner				Outer					
Type	A	B	S	Code	Type	A	B	S	Code
S230-S240 S2500(036)	51	37	-	301S510	S230-S240 S2500(036)	61	47	4.5	302S614
S2600(026)	61	47	4.5	301S614	S2600(026)	71	57.5	5	302S715

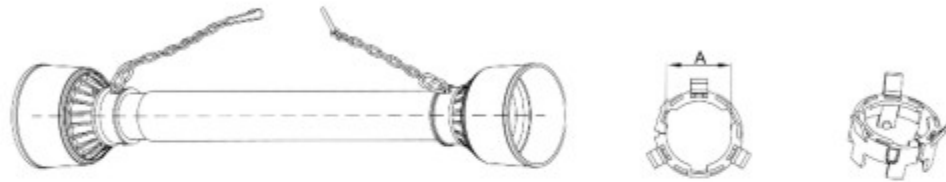
Type	A	L	Code	Type	A	S	Code
G50-G60	35-Z12	-	301G35Z12--	G50-G60	55	3	300C553
G70-G80	40-Z14	-	301G40Z14--	G70-G80	61	3.5	300C613
G90	45-Z16	-	301G45Z16--	G90	69	5	300C695

Plastic shield

PS001

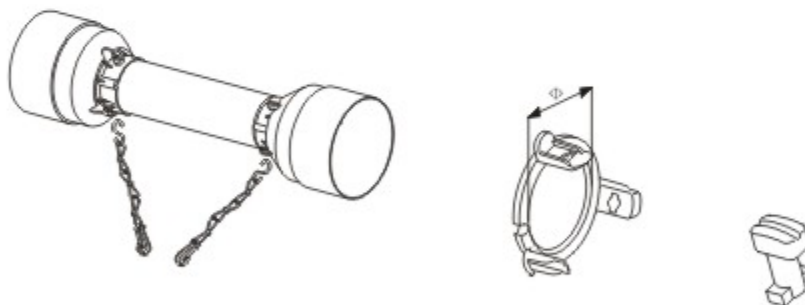


PS002



Series	Shield tube diameter		Retaining collar(A)	
	Outer	Inner	Outer	Inner
10	61	55.6	40	34
20			46	40
30-40	66.5	61	54	47
50	81.2	75	62.5	54.5
60-70			69	60
80-90	96	89.9	81.5	69.5

PS003



Series	Shield tube diameter		Retaining collar(φ)	
	Outer	Inner	Outer	Inner
10	61	55.6	40	34
20			46	40
30-40	66.5	61	54	47
50	81.2	75	62.5	54.5
60-70			69	60
80-90	96	89.9	81.5	69.5