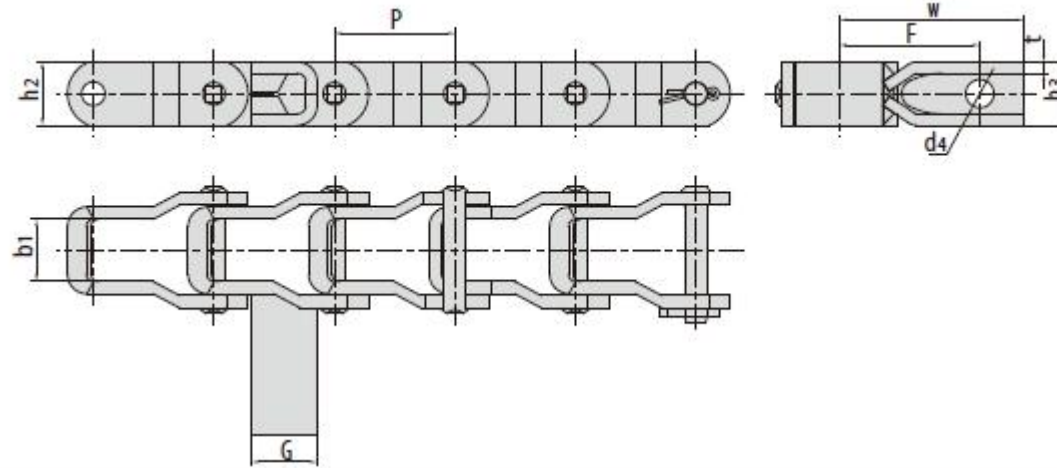
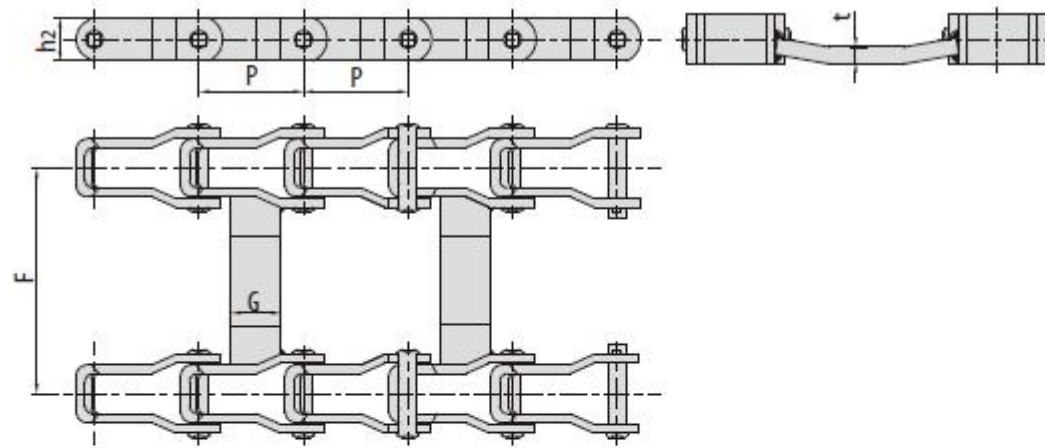


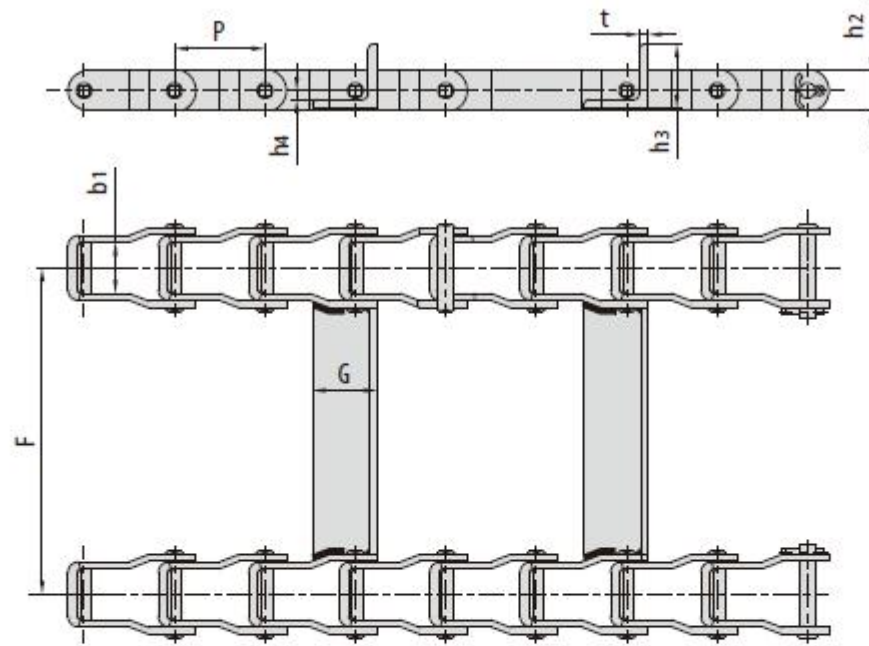
Chain No.	节距 Pitch	内节内宽 Width between inner plates	销轴直径 Pin diameter	销轴长度 Pin length		链板高度 Plate depth	链板厚度 Plate thickness	抗拉强度 Tensile strength	平均抗拉强度 Average tensile strength	每米长重 Weight per meter
	P	b ₁ min	d ₂ max	L max	L _c max	h ₂ max	T	Q min	Q ₀	q
	mm	mm	mm	mm	mm	mm	mm	kN/bf	kN	kg/m
662	42.27	22.9	7.19	41.2	44.2	18.8	3.2	37.80/8591	49.8	1.63
667H	58.75	25.4	7.94	43.7	46.7	22.2	3.2	42.30/9614	59.3	1.87
667X	57.15	26.6	11.10	50.2	55.0	23.8	4.3	66.70/15159	96.5	2.98
667XH	57.15	27.4	11.91	58.0	62.0	27.3	5.7	124.50/28295	138.6	4.34
667K	57.15	27.4	11.10	55.5	60.0	27.3	5.1	89.00/20227	123.2	3.91
667J	57.15	26.6	9.53	50.2	55.0	27.3	4.3	62.28/14155	84.1	2.81
88K	66.27	27.4	11.10	55.5	60.0	27.3	5.1	89.00/20227	123.2	3.73
88C	66.27	31.4	12.70	64.6	69.0	28.9	6.4	133.36/30309	160.5	5.17
308	78.10	32.5	15.88	72.6	78.0	38.1	8.0	227.00/51030	249.7	8.40



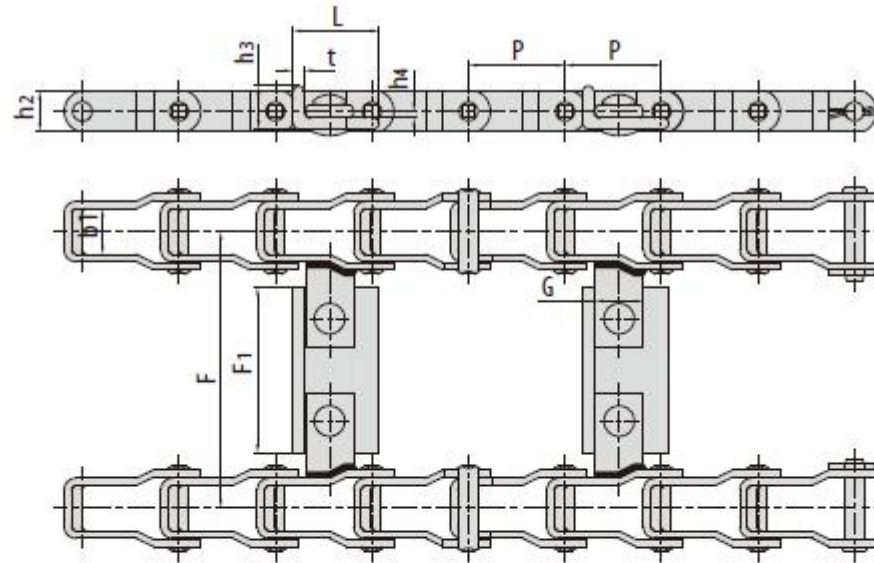
Chain No.	节距 Pitch	内节内宽 Width between inner plates	链板高度 Inner Plate depth	附板尺寸 Attachment dimension						抗拉强度 Tensile strength
	P	b ₁ min	h ₂ max	G	F	W	h ₃	d ₄	t	Q min
	mm	mm	mm	mm	mm	mm	mm	mm	mm	kN/bf
662F7	42.27	22.9	18.8	23.1	49.2	64.7	22.2	9.9	4.0	37.80/8597
662HF2	42.27	21.8	22.2	23.1	49.2	64.7	22.2	9.9	4.0	50.80/11420



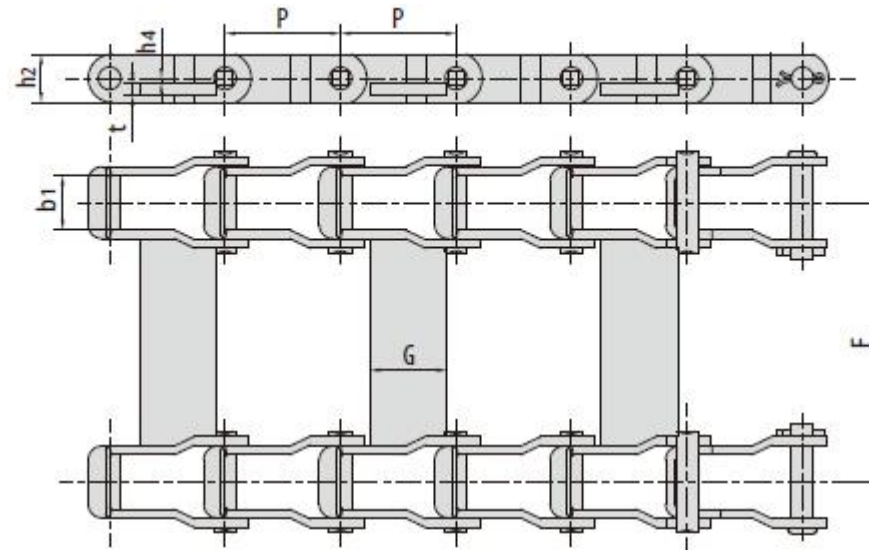
Chain No.	节距 Pitch	内节内宽 Width between inner plates	链板高度 Inner Plate depth	附板尺寸 Attachment dimension			抗拉强度 Tensile strength
	P	b ₁ min	h ₂ max	G	F	t	Q min
	mm	mm	mm	mm	mm	mm	kN/bf
667KF2SS	57.15	27.80	27.30	38.10	536.70	9.70	67.00/15062
667KF3SS	57.15	27.80	27.30	38.10	714.20	9.70	67.00/15062
88KF10	66.27	27.40	27.30	31.75	604.20	9.50	37.80/8497



Chain No.	节距 Pitch	内节内宽 Width between inner plates	链板高度 Inner Plate depth	附板尺寸 Attachment dimension					抗拉强度 Tensile strength
	P	b_1 min	h_2 max	G	F	t	h_3	h_4	Q min
	mm	mm	mm	mm	mm	mm	mm	mm	kN/bf
662F4	42.27	22.9	18.8	30.0	539.75	3.0	30.00	5.25	37.80/8597
662HF3	42.27	21.8	22.2	30.0	487.35	3.0	30.00	7.10	50.80/11420



Chain No.	节距	内节内宽	链板高度	附板尺寸							抗拉强度
	Pitch	Width between inner plates	Inner Plate depth	Attachment dimension							Tensile strength
	P	b1 min	h2 max	G	F	F1	L	t	h3	h4	Q min
	mm	mm	mm	mm	mm	mm	mm	mm	mm	mm	kN/bf
667X-ASF10	57.15	27.00	23.80	28.60	814.40	749.30	50.80	4.80	25.40	4.00	66.70/14994
667X-ASF11	57.15	27.00	23.80	28.60	1450.90	1385.80	50.80	4.80	25.40	4.00	66.70/14994
667K-ASF9	57.15	27.80	27.00	31.75	1736.70	1671.60	50.80	6.40	38.10	4.80	66.70/14994



Chain No.	节距 Pitch	内节内宽 Width between inner plates	链板高度 Inner Plate depth	附板尺寸 Attachment dimension				抗拉强度 Tensile strength
	P	b1 min	h2 max	G	F	t	h4	Q min
	mm	mm	mm	mm	mm	mm	mm	kN/bf
662F1	42.27	26.6	18.8	19.0	343.5	5.0	4.40	37.80/8597
667X-ASF3	57.15	26.6	23.8	38.0	514.4	7.0	0.00	66.70/14994