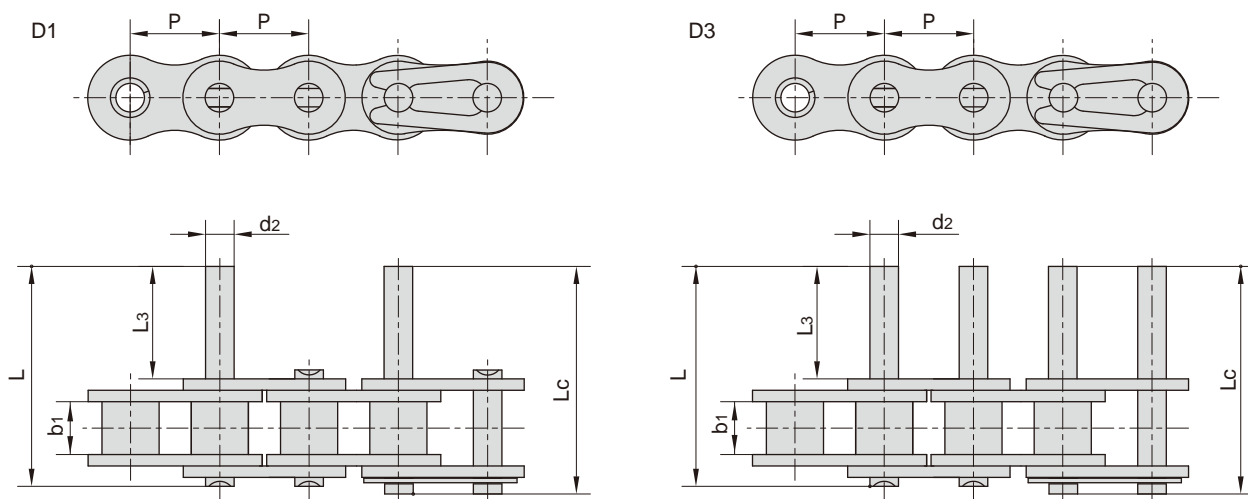


### 不锈钢短节距加长销输送链

Stainless steel short pitch conveyor chains with extended pins



Chain No.	P	b <sub>1</sub>	d <sub>2</sub>	L <sub>3</sub>	L	L <sub>c</sub>
	mm	mm	mm	mm	mm	mm
06CSS	9.525	4.77	3.58	9.5	20.8	21.6
08ASS	12.700	7.85	3.96	9.5	25.1	26.2
10ASS	15.875	9.40	5.08	11.9	31.3	33.1
12ASS	19.050	12.57	5.94	14.3	38.6	40.6
16ASS	25.400	15.75	7.92	19.1	50.3	53.3
20ASS	31.750	18.90	9.53	23.8	61.8	66.1
24ASS	38.100	25.22	11.10	28.6	76.4	80.4
28ASS	44.450	25.22	12.70	33.3	84.8	89.4
32ASS	50.800	31.55	14.27	38.1	99.6	104.4
08BSS	12.700	7.75	4.45	9.5	25.1	26.6
10BSS	15.875	9.65	5.08	11.9	30.1	31.5
12BSS	19.050	11.68	5.72	14.3	35.4	37.1
16BSS	25.400	17.02	8.28	19.1	53.0	54.3
20BSS	31.750	19.56	10.19	41.0	79.9	83.6
24BSS	38.100	25.40	14.63	50.7	101.4	105.8
28BSS	44.450	30.99	15.90	61.9	124.0	128.4
32BSS	50.800	30.99	17.81	64.8	126.8	131.8