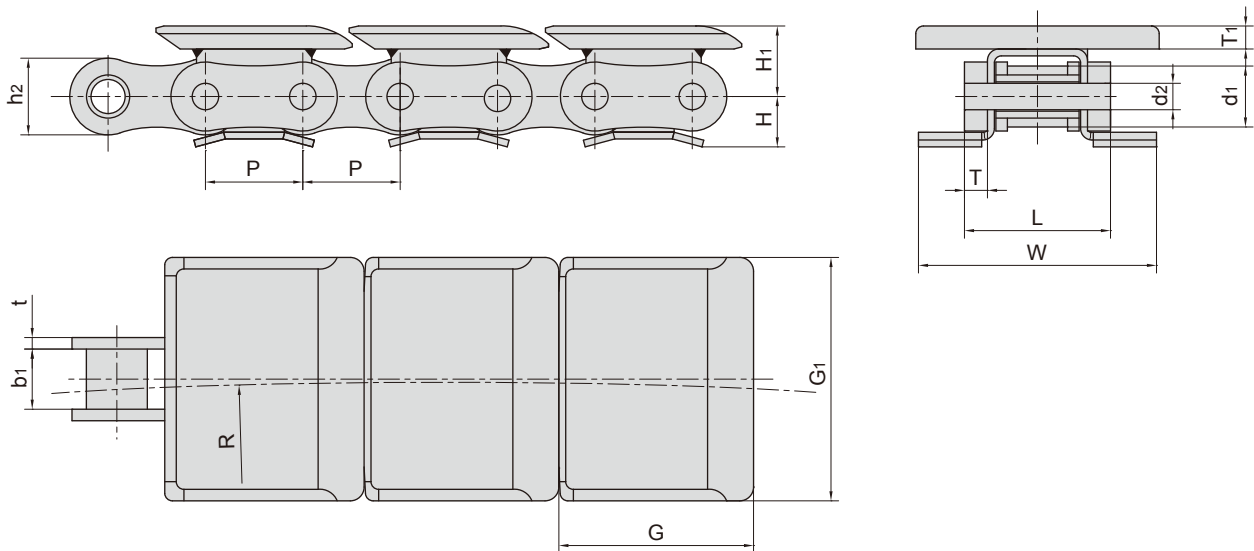


带附件侧弯链

Side bow chains with attachments



Chain No.	节距	滚子直径	内节内宽	销轴直径	销轴长度	内链板高度	附件尺寸						侧弯半径	
	Pitch	Roller diameter	Width between inner plates	Pin diameter	Pin length	Inner plate depth	Attachment dimension						Side bow radius	
	P	d <sub>1</sub>	b <sub>1</sub>	d <sub>2</sub>	L	h <sub>2</sub>	H	H <sub>1</sub>	t/T	T <sub>1</sub>	G	G <sub>1</sub>	W	R
	mm	mm	mm	mm	mm	mm	mm	mm	mm	mm	mm	mm	mm	mm
43SBF11	12.7	7.95	7.85	3.45	19.6	9.8	6.9	9.2	1.5/2.8	3	25.7	31.75	31.6	254
43SBF12	12.7	7.95	7.85	3.45	19.6	9.8	6.9	9.2	1.5/2.8	3	25.7	36.00	31.6	254
43SBF13	12.7	7.95	7.85	3.45	19.6	9.8	6.9	9.2	1.5/2.8	3	25.7	64.00	31.6	254