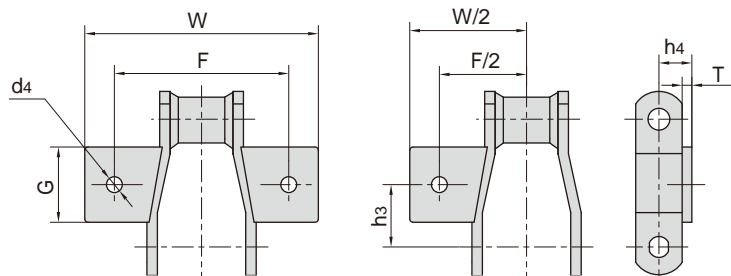


工程用焊接结构弯板链附件

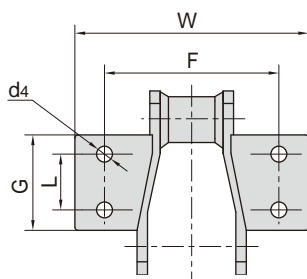
Welded-steel-type mill chains with attachments

带K1附板 With K1 attachments 带A1附板 With A1 attachments

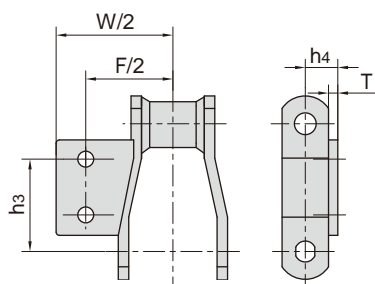


Chain No.	h3	G	F	W	h4	d4	T
	mm	mm	mm	mm	mm	mm	mm
WR78	31.8	36.6	101.6	130.0	22.4	9.7	6.4
WH78							
WR82	38.1	46.0	106.7	142.7	23.9	9.7	6.4
WH82							

带K2附板 With K2 attachments

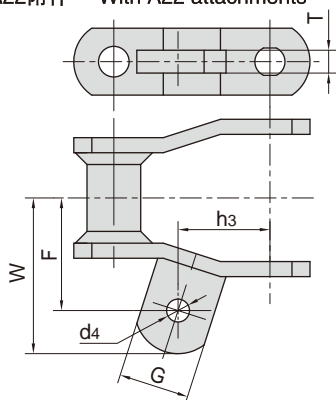


带A2附板 With A2 attachments



Chain No.	L	G	h3	F	W	h4	d4	T
	mm	mm	mm	mm	mm	mm	mm	mm
WR78	28.4	52.3	38.9	101.6	130.0	22.4	9.7	6.4
WH78								
WR82	33.3	62.0	52.3	108.2	142.7	23.9	9.7	6.4
WH82								
WR110	44.4	84.1	98.6	135.1	168.1	30.0	9.7	9.7
WH110								
WR111	58.7	90.4	89.9	159.0	193.5	30.0	12.7	9.7
WH111								
WR124	49.3	77.7	71.4	133.6	180.8	30.0	9.7	9.7
WH124								
WR124H	49.3	80.8	73.2	133.6	165.6	39.6	12.7	12.7
WH124H								
WR132	69.8	80.8	106.2	190.5	234.7	39.6	12.7	12.7
WH132								

带A22附件 With A22 attachments



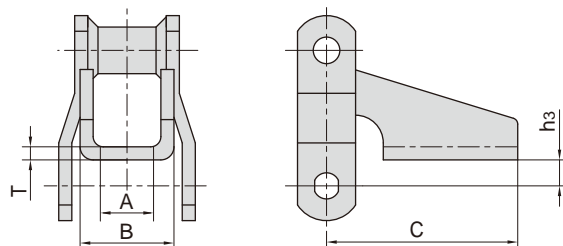
Chain No.	h3	G	F	W	d4	T
	mm	mm	mm	mm	mm	mm
WR78	33.3	30	47.8	65.0	9.7	9.7
WH78						

工程用焊接结构弯板链附件

Welded-steel-type mill chains with attachments

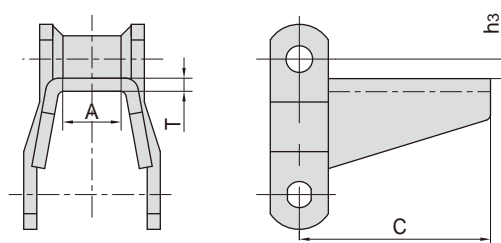
Chain No.	h ₃ mm	A mm	B mm	C mm	T mm
WR78 WH78	12.7	22.4	50.8	93.5	6.4
WR82 WH82	15.7	28.4	57.2	93.5	6.4

H1附件 With H1 attachments



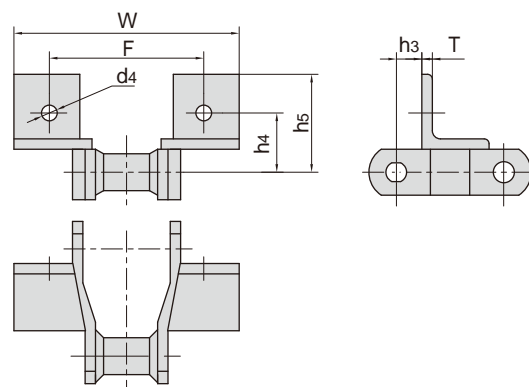
Chain No.	h ₃ mm	A mm	C mm	T mm
WR78 WH78	7.9	20.8	93.5	6.4
WR82 WH82	7.9	26.4	96.8	6.4

H2附件 With H2 attachments



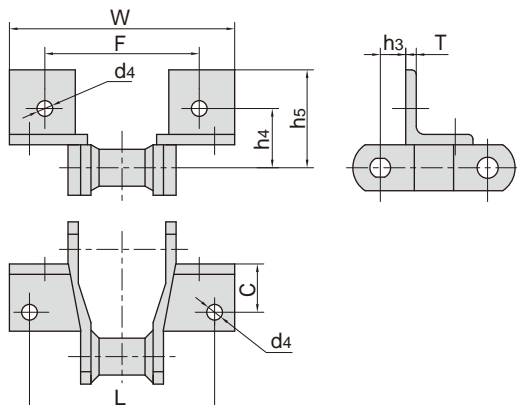
Chain No.	h ₃ mm	h ₄ mm	h ₅ mm	F mm	W mm	d ₄ mm	T mm
WR78 WH78	15.7	36.6	60.5	95.5	138.2	9.7	6.4

带F2附件 With F2 attachments



Chain No.	h ₃ mm	h ₄ mm	h ₅ mm	L mm	C mm	F mm	W mm	d ₄ mm	T mm
WR78 WH78	17.3	44.4	60.5	114.3	31.8	95.2	141.2	9.7	6.4
WR82 WH82	20.6	46.2	62.0	127.0	28.4	104.6	150.9	9.7	6.4
WR124 WH124	22.4	52.3	73.2	133.6	36.6	111.3	157.0	9.7	9.7

带F4附件 With F4 attachments

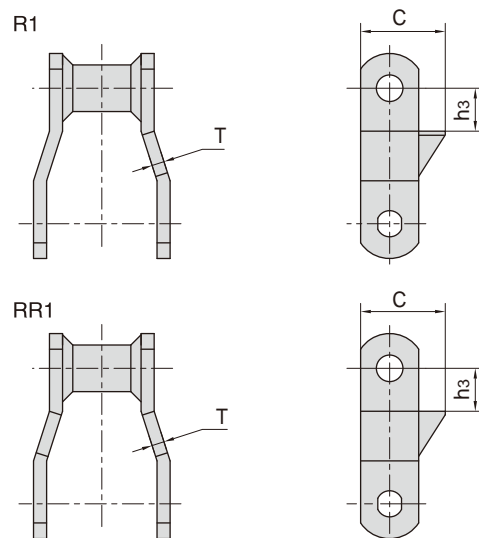


工程用焊接结构弯板链附件

Welded-steel-type mill chains with attachments

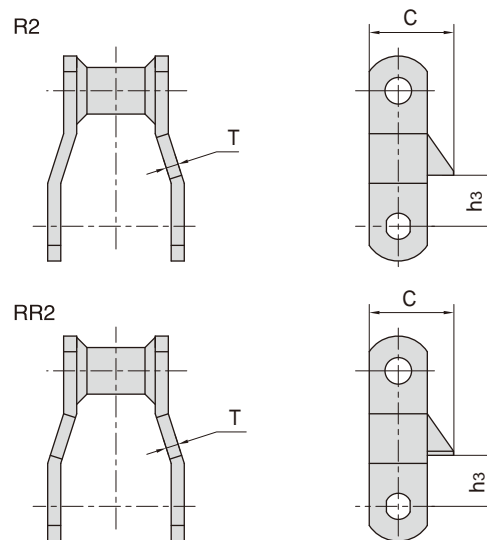
Chain No.	h ₃	C	T
	mm	mm	mm
WR78 WH78	17.3	41.1	6.4
WR82 WH82	22.4	49.3	6.4
WR124 WH124	31.8	49.3	9.7

带R1 & RR1附件
With R1 & RR1 attachments



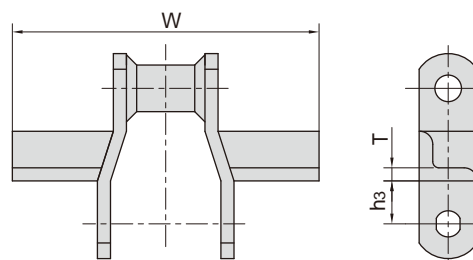
Chain No.	h ₃	C	T
	mm	mm	mm
WR78 WH78	17.3	41.1	6.4
WR82 WH82	22.4	49.3	6.4
WR124 WH124	31.8	49.3	9.7

带R2 & RR2附件
With R2 & RR2 attachments



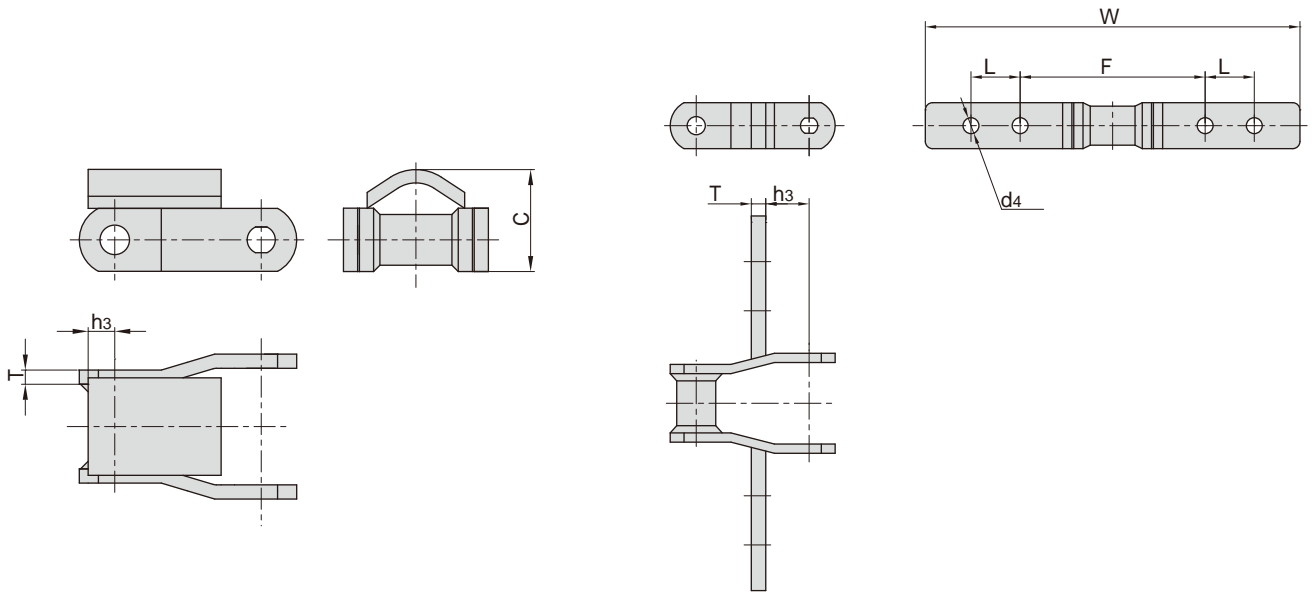
Chain No.	h ₃	W	T
	mm	mm	mm
WR78 WH78	19.1	153.9	6.4
WR82 WH82	23.9	166.6	6.4
WR124 WH124	30.0	217.4	6.4
WR124H WH124H	35.1	217.4	9.7
WR132 WH132	38.1	316.0	9.7

带W1附件
With W1 attachments



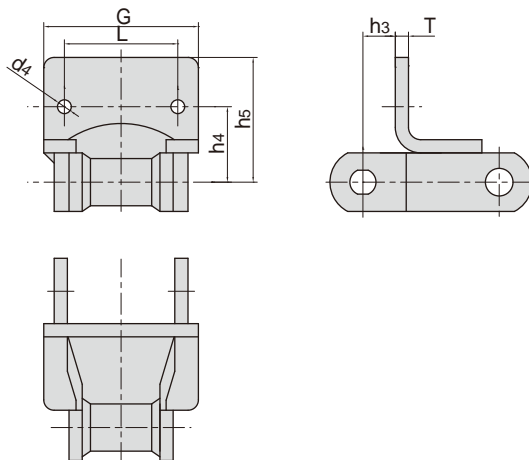
工程用焊接结构弯板链附件

Welded-steel-type mill chains with attachments



Chain No.	h3 mm	C mm	T mm
WH78F10	12.0	46.0	6.4

Chain No.	h3 mm	F mm	L mm	W mm	d4 mm	T mm
WH82F3K2	30.0	128.0	34.0	260.0	11.0	10.0
WH150F2	72.0	230.0	70.0	430.0	14.0	10.0



Chain No.	h3 mm	h4 mm	h5 mm	G mm	L mm	d4 mm	T mm
WH78F6	15.7	36.6	60.5	75.0	55.0	6.7	6.4