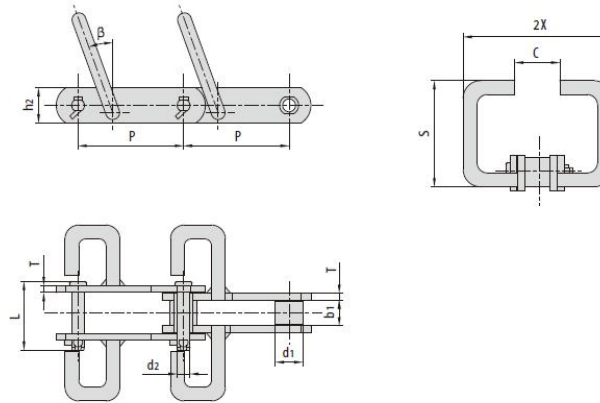
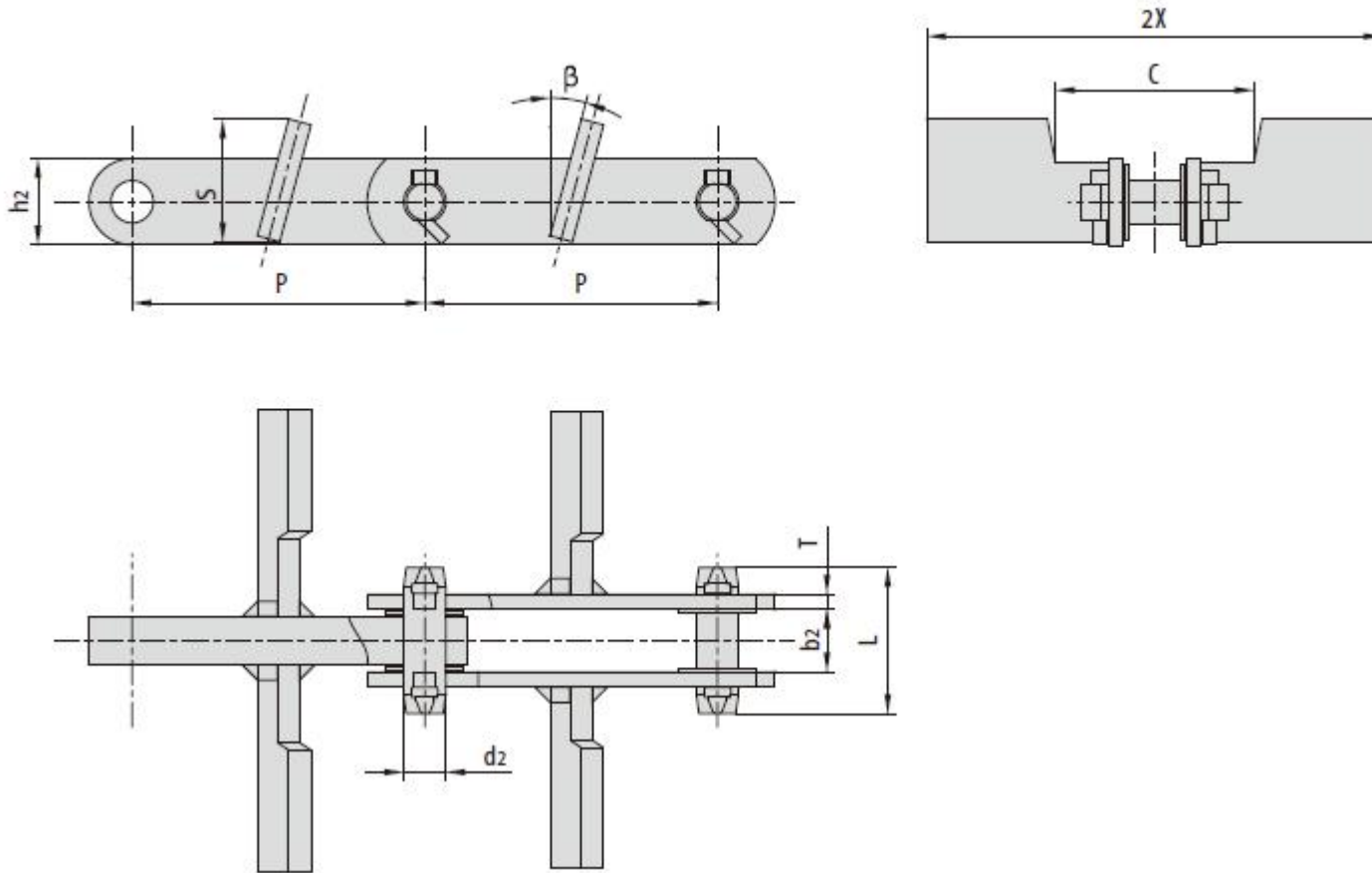


行进方向  
Direction of travel



Chain No.	节距	滚子直径	内节内宽	销轴直径	销轴长度	链板高度	链板厚度	附板尺寸				抗拉强度	每米重量
	Pitch	Roller diameter	Width between inner plates	P in diameter	P in length	Plate depth	Plate thickness	Attachment dimension				Tensile strength	Weight per meter
	P	d <sub>max</sub>	b <sub>1</sub>	d <sub>2</sub>	L	h <sub>2</sub>	T	S	2X	C	β	Q	q
	mm	mm	mm	mm	mm	mm	mm	mm	mm	mm		kN/bf	kg/m
P 152F 51	152.4	40.0	36.0	18.5	95.5	50.8	10.0	175.0	310.0	110.0	20°	170/38242	24.9
P 152F 221	152.4	63.0	36.5	15.5	86.0	20.0	8.0	91.0	240.0	-	0°	200.0/44960	13.5
P 152F 222	152.4	36.0	36.5	15.5	86.0	50.0	8.0	71.0	175.0	-	0°	200.0/44960	12.4
P 152F 232	152.4	36.0	36.5	15.5	86.0	50.0	8.0	100.0	256.0	-	0°	240.0/53952	14.2

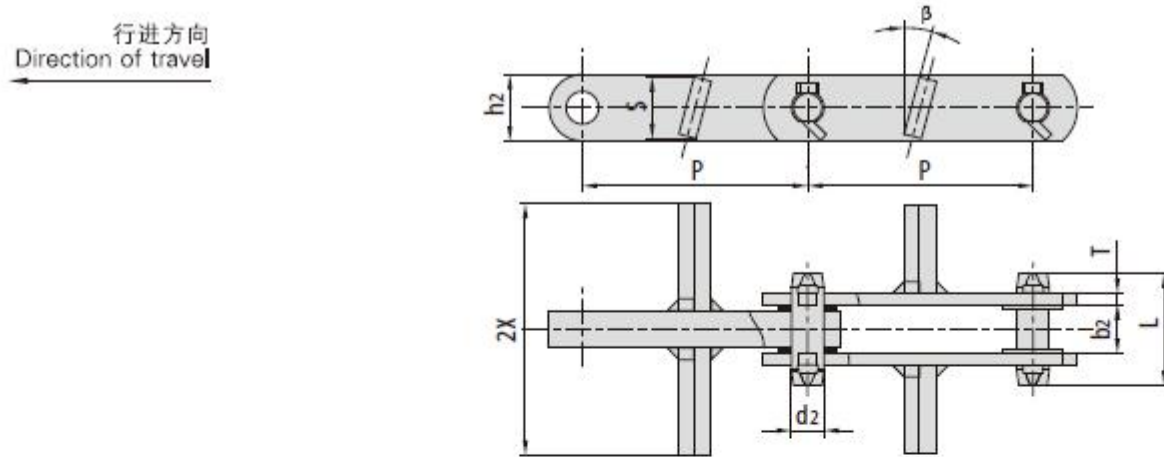
行进方向  
Direction of travel



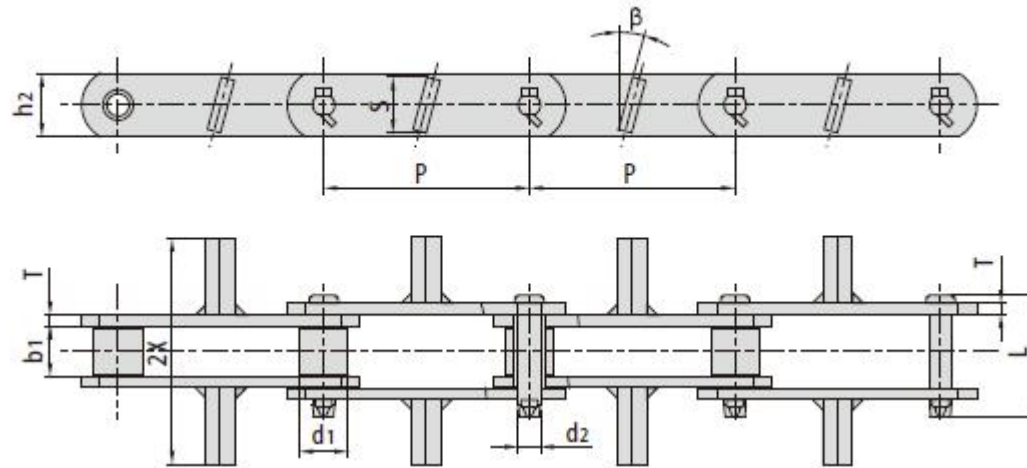


# HANGZHOU OCEAN INDUSTRY CO., LTD.

Chain No.	节距 Pitch	外节内宽 Width between outer plates	销轴直径 Pin diameter	销轴长度 Pin length	链板高度 Plate depth	链板厚度 Plate thickness	附板尺寸 Attachment dimension				抗拉强度 Tensile strength	每米重量 Weight per meter
	P	b <sub>2</sub>	d <sub>2</sub>	L	h <sub>2</sub>	T	S	2X	C	β	Q	
	mm	mm	mm	mm	mm	mm	mm	mm	mm		kN/bf	kg/m
P 150F17A	150.0	25.0	18.5	67.3	38.1	10.0	115.0	180	112	15°	150/33743	14.50
P 152F45	152.4	32.5	22.0	76.0	45.0	8.0	64.0	326	104	15°	260/58489	20.40
P 152F45A	152.4	32.5	22.0	76.0	45.0	8.0	83.0	286	106	15°	260/58489	20.80
P 152F45B	152.4	32.5	22.0	76.0	45.0	8.0	64.0	276	106	15°	260/58489	18.00
P 152F45C	152.4	32.5	22.0	76.0	45.0	8.0	64.0	220	106	15°	260/58489	16.50
P 152F47	152.4	34.0	22.0	85.0	45.0	12.0	81.0	400	106	15°	400/89983	30.90
P 152F194	152.4	32.5	22.0	80.0	45.0	10.0	65.5	270	105	15°	240.0/50355	15.91
PR 152F2	152.4	36.5	15.9	87.0	45.0	8.0	60.0	180	120	15°	253.6/57009	13.20
P 152F226	152.4	32.5	22.0	80.0	42.0	10.0	76.8	270	79	15°	260.0/58448	20.10
P 200F29	200.0	40.5	35.0	104.0	80.0	13.0	168.0	420	112	15°	530/119227	50.60
P 200F29A	200.0	40.5	35.0	104.0	80.0	13.0	148.0	430	112	15°	530/119227	53.90
P 200F35	200.0	33.0	26.5	77.0	50.0	10.0	145.5	430	210	15°	400/89983	28.93

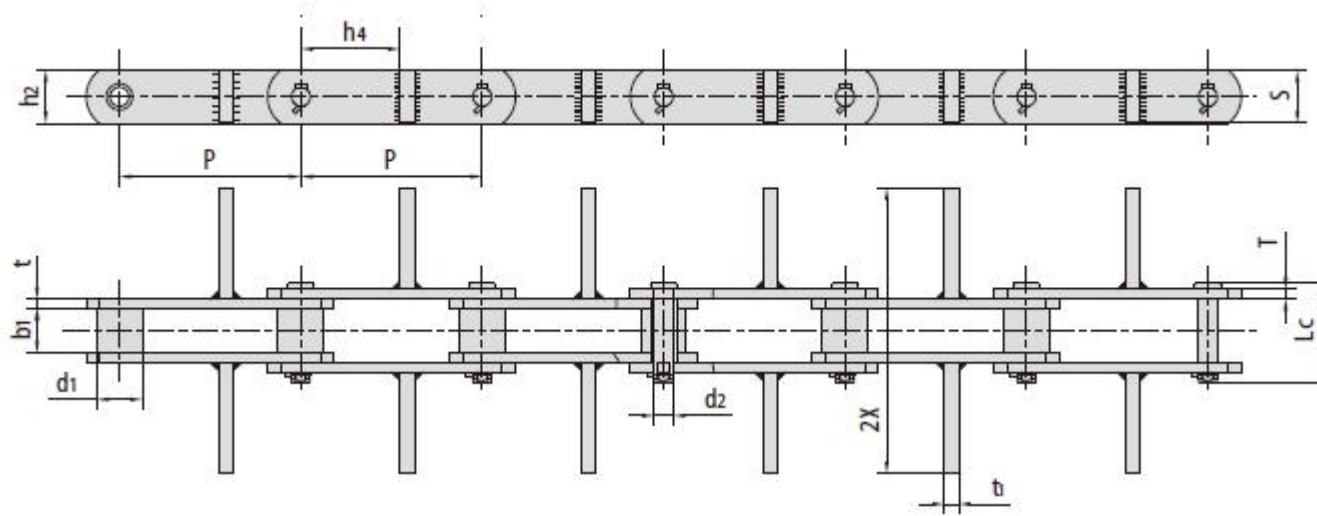


Chain No.	节距 Pitch	外节内宽 Width between outer plates	销轴直径 Pin diameter	销轴长度 Pin length	链板高度 Plate depth	链板厚度 Plate thickness	附板尺寸 Attachment dimension			抗拉强度 Tensile strength	每米重量 Weight per meter
	P	b <sub>2</sub>	d <sub>2</sub>	L	h <sub>2</sub>	T	S	2X	$\beta$	Q	q
	mm	mm	mm	mm	mm	mm	mm	mm		kN/bf	kg/m
P 101.6F20	101.6	16.5	17.46	53.7	38.0	6.0	34.0	210.0	45°	100/22496	7.26
P 150F17C	150.0	25.0	18.50	67.3	38.1	10.0	36.0	168.0	15°	150/33743	10.60
P 152F2	152.4	33.3	22.00	76.0	45.0	8.0	38.0	180.0	20°	260/58489	12.10
P 152F45D	152.4	32.5	22.00	76.0	45.0	8.0	42.0	170.0	15°	260/58489	13.50
P 152F45E	152.4	32.5	22.00	76.0	45.0	8.0	42.0	280.0	15°	260/58489	16.20
P 152F45F	152.4	32.5	22.00	76.0	45.0	8.0	42.0	227.0	15°	260/58489	14.90
P 152F46	152.4	40.8	25.00	86.0	50.0	9.0	49.0	290.0	15°	300/67487	20.80

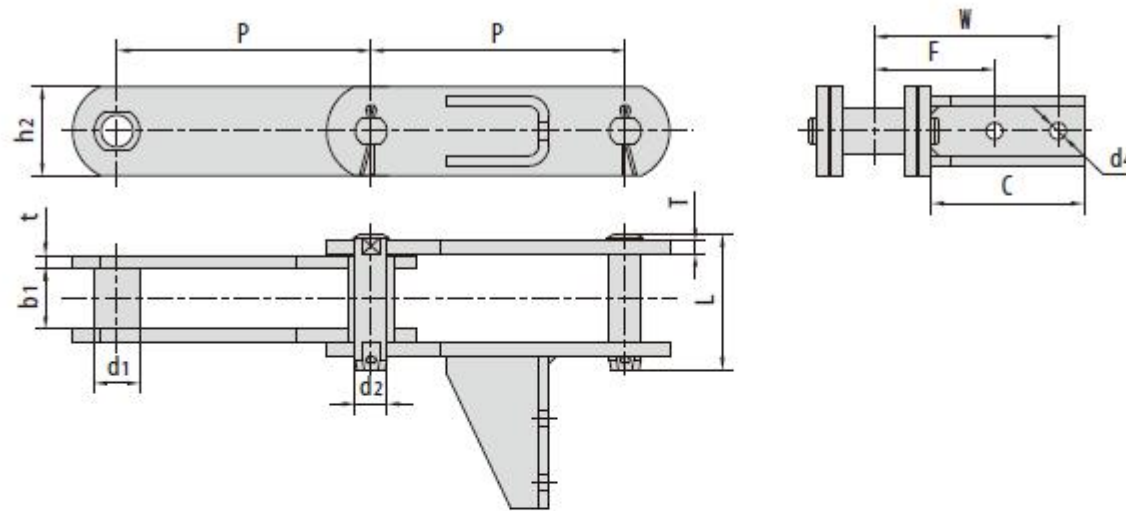


Chain No.	节距	内节内宽	滚子直径	销轴直径	销轴长度	链板高度	链板厚度	附板尺寸			抗拉强度	每米重量
	Pitch	Width between inner plates	Roller diameter	Pin diameter	Pin length	Plate depth	Plate thickness	Attachment dimension			Tensile strength	Weight per meter
	P	$b_1$	$d_1$	$d_2$	L	$h_2$	T	S	2X	$\beta$	Q	q
	mm	mm	mm	mm	mm	mm	mm	mm	mm		kN/bf	kg/m
P 152F48	152.4	37.6	36.0	16.5	90.0	47.0	8.0	42.0	170.0	15°	180/40492	12.1
R0 6205M F3	152.4	37.0	38.1	15.9	88.0	45.0	8.0	42.0	170.0	15°	170/38242	12.4

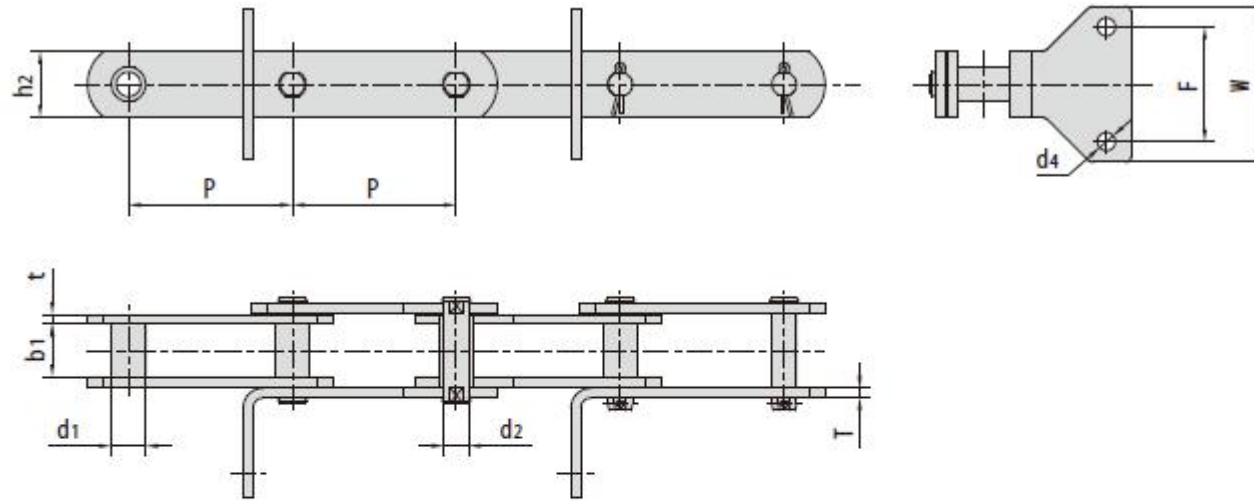




Chain No.	节距	内节内宽	滚子直径	销轴直径	销轴长度	链板高度	链板厚度	附板尺寸				抗拉强度	每米重量
	Pitch	Width between inner plates	Roller diameter	Pin diameter	Pin length	Inner Plate depth	Plate thickness	Attachment dimension				Tensile strength	Weight per meter
	P	$b_1$ min	$d_1$	$d_2$ max	$L_c$ max	$h_2$ max	$t/T$	$h_4$	$S$	$2X$	$t$	Q	q
	mm	mm	mm	mm	mm	mm	mm	mm	mm	mm	mm	kN/bf	kg/m
RF6205MF13	152.4	37.1	38.1	15.9	83.5	45.0	8.0	57.0	44.0	240.0	12.0	237.0/53278	14.54

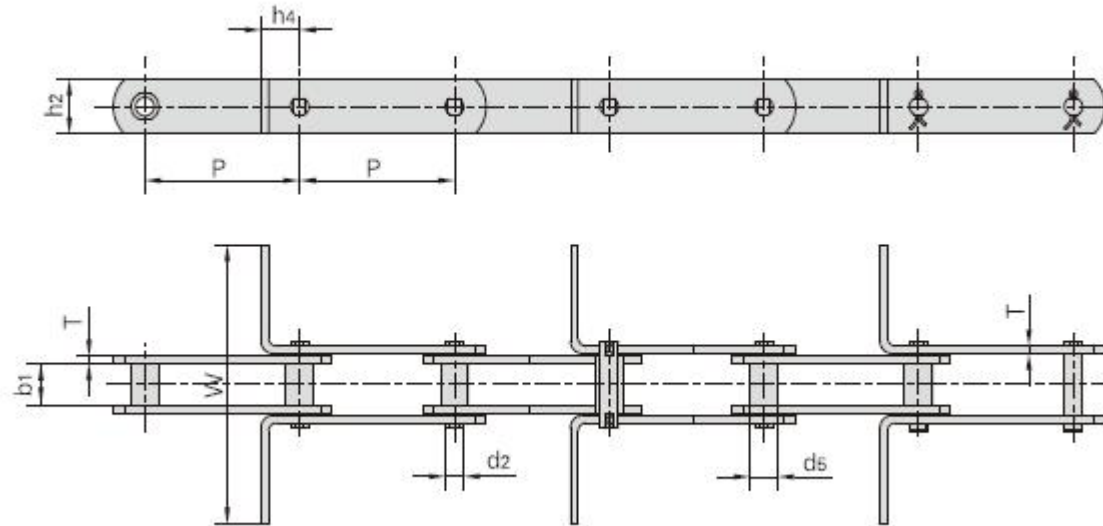


Chain No.	节距	内节内宽	套筒直径	销轴直径	销轴长度	链板高度	链板厚度	附板尺寸				抗拉强度	每米重量
	Pitch	Width between inner plates	Bush diameter	Pin diameter	Pin length	Plate depth	Plate thickness	Attachment dimension				Tensile strength	Weight per meter
	P	b <sub>1</sub> min	d <sub>1</sub> max	d <sub>2</sub> max	L max	h <sub>2</sub>	t/T	C	F	W	d <sub>4</sub>	Q	q
	mm	mm	mm	mm	mm	mm	mm	mm	mm	mm	mm	kN/bf	kg/m
M 315F51-B-200	200.0	48.0	36.0	25.0	107.0	70.0	10.0	120.0	95.0	145.0	13.0	450/102273	21.94



Chain No.	节距	内节内宽	套筒直径	销轴直径	链板高度	链板厚度	附板尺寸			抗拉强度	每米重量
	Pitch	Width between inner plates	Bush diameter	Pin diameter	Plate depth	Plate thickness	Attachment dimension			Tensile strength	Weight per meter
	P	b1	d1	d2	h2	T	F	W	d4	Q	q
	mm	mm	mm	mm	mm	mm	mm	mm	mm	kN/bf	kg/m
MR112F21-B-100	100.0	32.0	21.0	15.0	40.0	6.0	70.0	90.0	11.0	95.2/21413	7.45





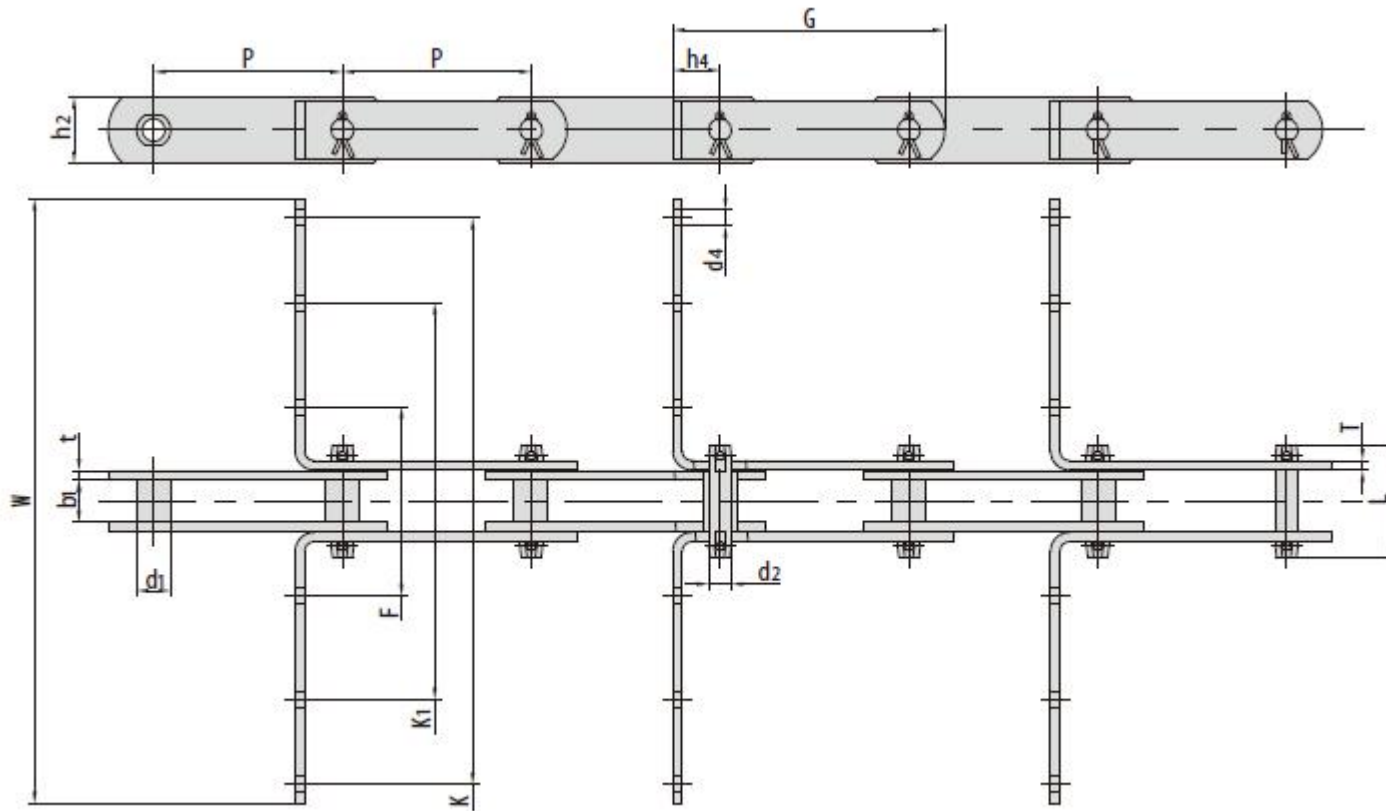


# HANGZHOU OCEAN INDUSTRY CO., LTD.

Chain No.	P			b <sub>1</sub> m in	d <sub>2</sub> m ax	d <sub>5</sub> m ax	h <sub>4</sub>	h <sub>2</sub> m ax	T m ax	W	Q m in
	m m			m m	m m	m m	m m	m m	m m	m m	kN/bf
M R 56	100	125	-	24.0	10.0	15.0	20.0	30.0	4.0	*	56.0/12727
M R 80	100	125	160	28.0	12.0	18.0	25.0	35.0	5.0	*	80.0/18182
M R 112	100	125	160	32.0	15.0	21.0	35.0	40.0	6.0	*	112.0/25454
M R 160	100	125	160	37.0	18.0	25.0	40.0	50.0	7.0	*	160.0/36364
M R 224	125	160	200	43.0	21.0	30.0	44.0	60.0	8.0	*	224.0/50909
M R 315	160	200	250	48.0	25.0	36.0	50.0	70.0	10.0	*	315.0/71591

Chain No.	P			b <sub>1</sub> m in	d <sub>2</sub> m ax	d <sub>5</sub> m ax	h <sub>4</sub>	h <sub>2</sub> m ax	T m ax	W	Q m in
	m m			m m	m m	m m	m m	m m	m m	m m	kN/bf
FVR 40	80	100	125	18.0	10.0	15.0	20.0	25.0	3.0	*	42.0/9545
FVR 63	100	125	160	22.0	12.0	18.0	25.0	30.0	4.0	*	64.0/14545
FVR 90	100	125	160	25.0	14.0	20.0	30.0	35.0	5.0	*	100.0/22727
FVR 112	100	125	160	30.0	16.0	22.0	35.0	40.0	6.0	*	120.0/27272
FVR 140	125	160	200	35.0	18.0	26.0	38.0	45.0	6.0	*	145.0/32954
FVR 180	125	160	200	45.0	20.0	30.0	44.0	50.0	8.0	*	190.0/43181
FVR 250	160	200	250	55.0	26.0	36.0	50.0	60.0	8.0	*	275.0/62499

- \* 表示自由尺寸(根据客户要求定)
- \* Dimensions are specified by the customer

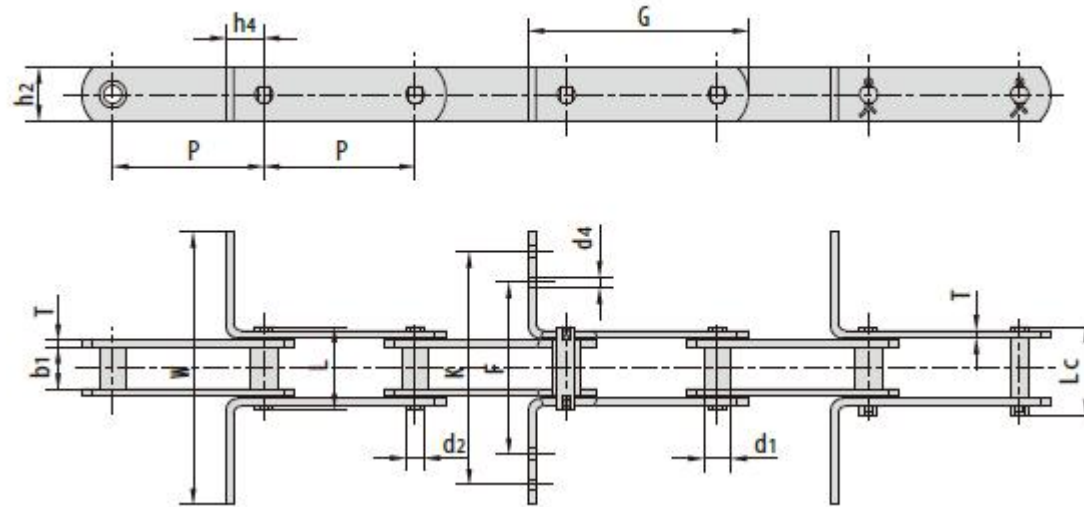




# HANGZHOU OCEAN INDUSTRY CO., LTD.

Chain No.	节距 Pitch	套筒直径 Bush diameter	内节内宽 Width between inner plates	销轴直径 Pin diameter	销轴长度 Pin length	抗拉强度 Tensile strength	平均抗拉强度 Average tensile strength	每米长重 Weight per meter
	P	d <sub>max</sub>	b <sub>in</sub>	d <sub>max</sub>	L <sub>max</sub>	Q <sub>min</sub>	Q <sub>o</sub>	q
	mm	mm	mm	mm	mm	kN/bf	kN	kg/m
PR100F8	100.00	18.00	22.00	12.00	64.00	98.00/22030	107.80	6.10
PR100F5	100.00	18.00	22.00	12.00	62.00	98.00/22030	107.80	5.70
PR100F3	100.00	18.00	22.00	12.00	60.00	98.00/22030	107.80	5.20
PR100F9	100.00	18.00	22.00	12.00	64.00	98.00/22030	107.80	6.70
PR100F6	100.00	18.00	22.00	12.00	62.00	98.00/22030	107.80	6.30
PR100F4	100.00	18.00	22.00	12.00	60.00	98.00/22030	107.80	5.70

Chain No.	G	F	W	K <sub>1</sub>	K	h <sub>4</sub>	h <sub>2</sub>	d <sub>4</sub>	t/T
	mm	mm	mm	mm	mm	mm	mm	mm	mm
PR100F8	144.00	100.00	230.00	-	210.00	25.00	35.00	10.30	6.00
PR100F5	144.00	100.00	230.00	-	210.00	25.00	35.00	10.30	5.00/6.00
PR100F3	144.00	100.00	230.00	-	210.00	25.00	35.00	10.30	5.00
PR100F9	144.00	100.00	320.00	210.00	300.00	25.00	35.00	10.30	6.00
PR100F6	144.00	100.00	320.00	210.00	300.00	25.00	35.00	10.30	5.00/6.00
PR100F4	144.00	100.00	320.00	210.00	300.00	25.00	35.00	10.30	5.00

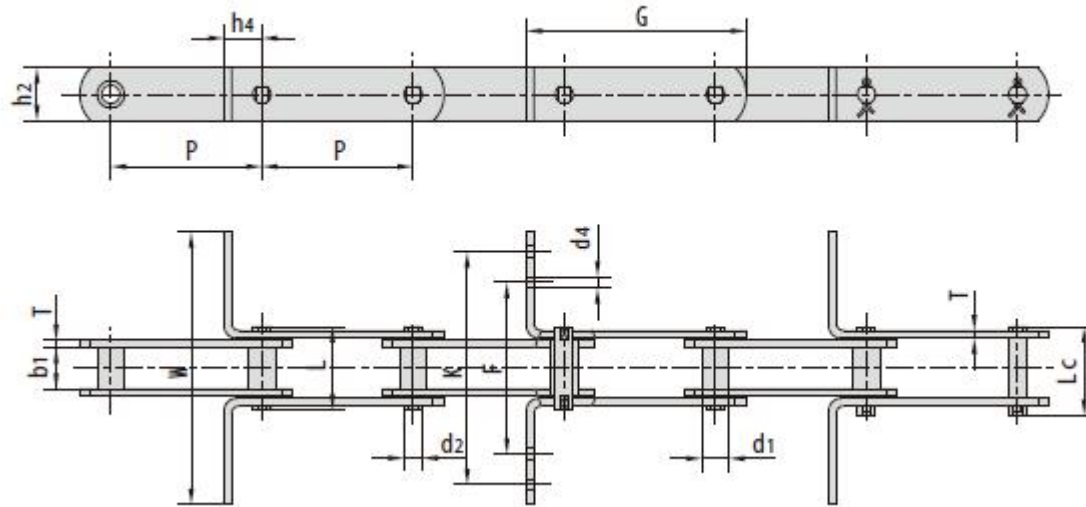




Chain No.	节距 Pitch	套筒直径 Bush diameter	内节内宽 Width between inner plates	销轴直径 Pin diameter	销轴长度 Pin length		抗拉强度 Tensile strength	平均抗拉强度 Average tensile strength	每米长重 Weight per meter
	p	d1 max	b1 min	d2 max	L max	Lc max	Q min	Qo	q
	mm	mm	mm	mm	mm	mm	kN/bf	kN	kg/m
P 66.5F1	66.5	22.0	27.00	12.00	63.3	-	120.0/26976	132.0	6.10
FVR 40F5-P-80	80.0	32.0*	18.00	10.00	36.0	40.0	40.0/8992	44.0	3.20
M R 22F1-B-100	100.0	12.0	12.50	8.00	30.6	34.0	22.0/4946	24.2	1.77
M R 112F7-S-100	100.0	30.0*	32.00	15.00	64.5	69.0	112.0/25179	123.2	8.95
M R 112F8-S-100	100.0	30.0*	32.00	15.00	64.5	69.0	112.0/25179	123.2	9.53
M R 160F7-S-100	100.0	36.0*	37.00	18.00	75.7	84.7	160.0/36000	176.0	15.87
M R 160F8-S-100	100.0	36.0*	37.00	18.00	75.7	84.7	160.0/36000	176.0	13.80
M R 160F11-S-100	100.0	36.0*	37.00	19.60	75.7	84.7	160.0/36000	176.0	13.85
M R 160F10-B-100	100.0	25.0	37.00	19.70	75.7	84.7	160.0/36000	176.0	13.16
M 80-P 100F1	100.0	18.0	28.00	12.00	55.0	58.5	80.0/18162	88.0	5.19
M 180-P-100	100.0	26.0	28.85	18.00	62.5	-	180.0/40909	198.0	10.25
FVR 40F4-B-100	100.0	15.0	18.00	10.00	40.0	43.5	40.0/8992	44.0	2.88
FVR 40F6-B-100	100.0	15.0	18.00	10.00	36.0	40.0	40.0/8992	44.0	2.10
FVR 63F2-B-100	100.0	18.0	22.00	12.00	46.0	50.0	64.0/14387	70.4	3.70
FVR 63F3-B-100	100.0	18.0	22.00	12.00	46.0	50.0	64.0/11240	70.4	3.90
FVR 90F8-B-100	100.0	20.0	25.00	14.00	-	56.4	65.0/14612	71.5	7.80
M R 112F19-B-100	100.0	21.0	32.00	15.00	64.5	69.0	112.0/27272	123.2	8.30
M R 160F16-S-100	100.0	36.0*	37.00	18.00	75.7	84.7	160.0/36000	176.0	13.70
M R 160F20-S-100	100.0	25.0	37.00	18.00	75.7	84.7	160.0/36000	176.0	13.74
P 100F16	100.0	23.0	28.00	16.00	66.0	-	115.0/26136	127.0	6.60
P 101.6	101.6	44.5	50.80	23.84	136.5	-	600.0/136362	660.0	34.96
PR 101.6F1	101.6	24.6	50.80	15.88	98.0	103.0	180.0/40909	198.0	12.10
M R 224F1-S-125	125.0	42.0*	43.00	21.00	85.0	91.0	224.0/50357	246.4	17.92
M 310-P-125	125.0	40.0*	52.00	20.00	103.4	109.4	303.8/69045	334.0	19.88
M 310F1-P-125	125.0	40.0*	52.00	20.00	103.4	109.4	303.8/69045	334.0	24.88

\*表示滚子外径

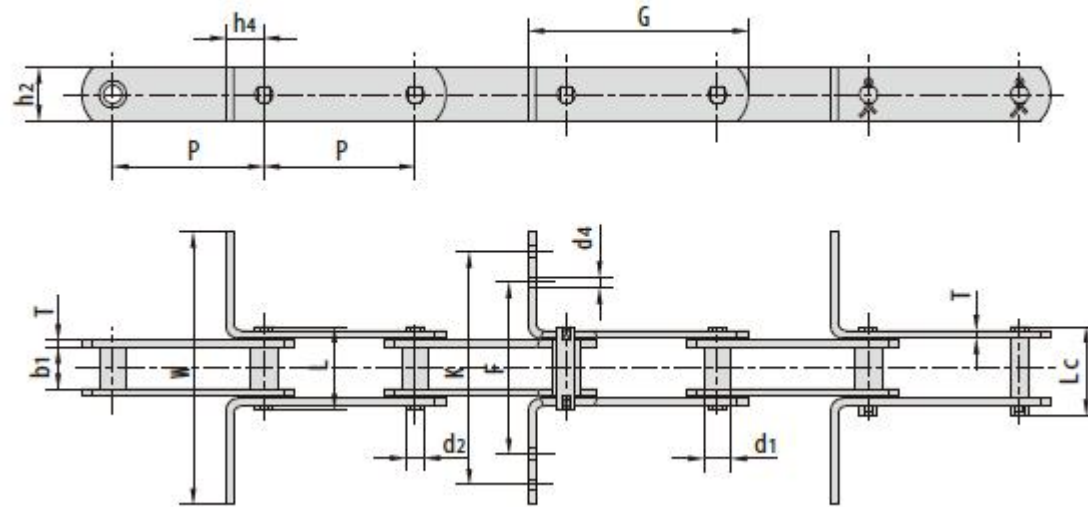
\*Indicates the external diameter of roller

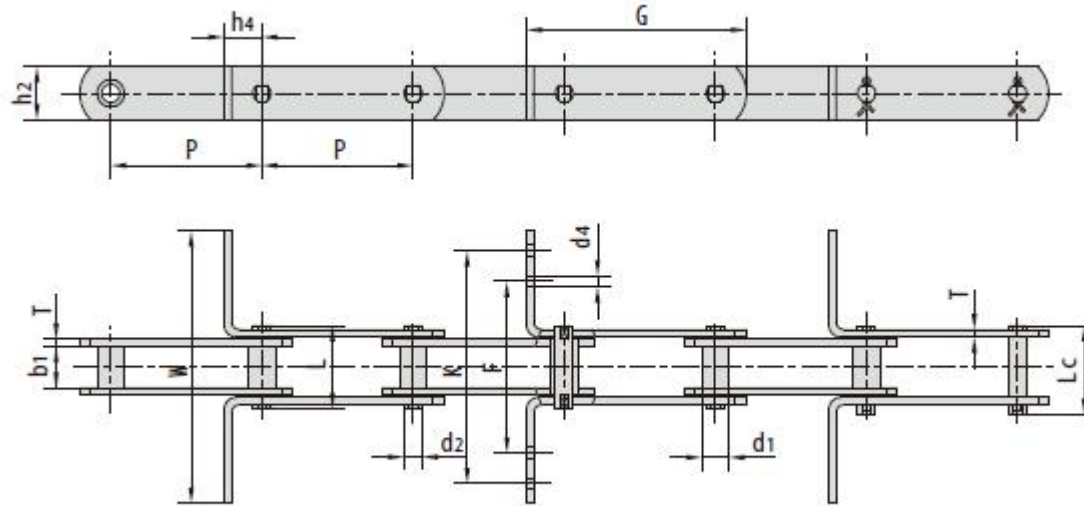




# HANGZHOU OCEAN INDUSTRY CO., LTD.

Chain No.	G	F	W	K	h4	h2	d4	T
	mm	mm	mm	mm	mm	mm	mm	mm
P 66.5F1	112.0	100.0	160.0	-	28.75	29.0	13×25	6.0
FVR 40F5-P-80	104.0	-	80.0	-	20.0	25.0	-	3.0
M R 22F1-B-100	132.7	-	150.0	-	16.4	22.0	-	3.0
M R 112F7-S-100	160.0	120.0	235.0	205.0	35.0	40.0	12.0	6.0
M R 112F8-S-100	160.0	-	285.0	-	35.0	40.0	-	6.0
M R 160F7-S-100	170.0	125.0	386.0	356.0	40.0	50.0	12.0	7.0
M R 160F8-S-100	170.0	115.0	235.0	205.0	40.0	50.0	18.0	7.0
M R 160F11-S-100	170.0	115.0	235.0	205.0	40.0	50.0	19.7	7.0
M R 160F10-B-100	170.0	140.0	290.0	260.0	40.0	50.0	19.7	7.0
M 80-P 100F1	145.5	-	180.0	-	25.0	35.0	-	5.0
M 180-P-100	163.0	-	185.0	-	35.0	50.0	-	6.0
FVR 40F4-B-100	134.5	-	200.0	-	20.0	25.0	-	4.0
FVR 40F6-B-100	140.0	-	130.0	-	25.0	25.0	-	3.0
FVR 63F2-B-100	142.5	-	190.0	-	25.0	30.0	-	4.0
FVR 63F3-B-100	142.5	-	230.0	-	25.0	30.0	-	4.0
FVR 90F8-B-100	145.0	-	250.0	-	25.0	35.0	-	5.0
M R 160F20-B-100	165.0	-	280.0	-	40.0	50.0	-	7.0
PR 101.6F1	165.8	134.0	223.0	196.0	40.0	38.1	11.1	9.7
M R 80F5-B-125	170.0	-	280.0	-	25.0	35.0	-	5.0
P 100F16	143.0	91.8	180.0	159.8	25.0	36.0	6.5	6.0
P 101.6	198.6	-	206.5	-	62.0	60.0	-	14.5
M R 80F7-B-125	170.0	91.5	180.0	156.5	25.0	35.0	6.6	5.0
M R 224F1-S-125	203.0	-	235.0	-	44.0	60.0	-	8.0
M 310-P-125	195.0	-	270.0	-	35.0	55.0	-	10.0
M 310F1-P-125	195.0	-	560.0	-	35.0	55.0	-	10.0







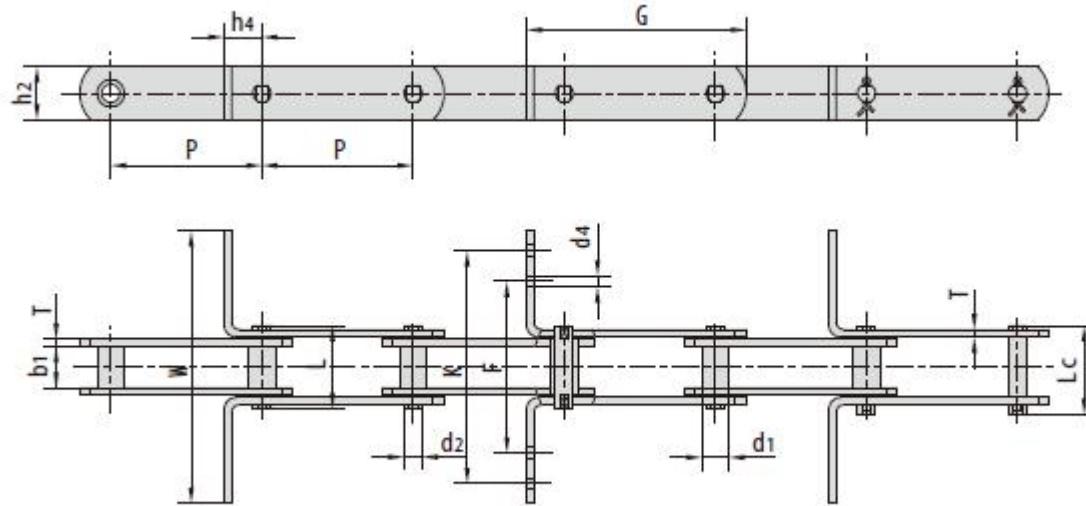


# HANGZHOU OCEAN INDUSTRY CO., LTD.

Chain No.	节距 Pitch	套筒直径 Bush diameter	内节内宽 Width between inner plates	销轴直径 Pin diameter	销轴长度 Pin length		抗拉强度 Tensile strength	平均抗拉强度 Average tensile strength	每米长重 Weight per meter
	p	d1 max	b1 min	d2 max	L max	Lc max	Q min	Qo	q
	mm	mm	mm	mm	mm	mm	kN/bf	kN	kg/m
FVR 90F1-B-125	125.0	20.0	25.00	14.00	52.0	56.4	150.0/33743	165.0	6.16
P 125F3	125.0	25.0	36.00	18.00	82.0	-	220.0/49999	242.0	11.17
P 125F4	125.0	25.0	36.00	18.00	82.0	-	220.0/49999	242.0	9.83
M R 80F5-B-125	125.0	18.0	28.00	12.00	55.0	58.5	80.0/18162	88.0	5.24
M R 80F7-B-125	125.0	18.0	28.00	12.00	55.4	60.0	80.0/17984	88.0	5.00
M R 80F8-B-125	125.0	18.0	28.00	12.00	59.4	64.0	112.0/27272	123.2	6.30
M R 112F11-B-125	125.0	25.0	20.00	19.05	49.0	56.0	112.0/27272	123.2	5.71
M R 112F18-B-125	125.0	21.0	32.00	15.00	64.5	69.0	112.0/27272	123.2	7.60
M R 160F13-B-125	125.0	25.0	37.00	18.00	75.7	84.7	160.0/36000	176.0	7.90
M R 160F18-B-125	125.0	25.0	37.00	18.00	75.7	84.7	160.0/36000	176.0	11.90
M R 112F20-B-125	125.0	21.0	32.00	15.00	-	72.5	112.0/27272	123.2	8.52
M 310F1-P-150	150.0	40.0*	52.00	20.00	103.4	109.4	303.8/69045	334.0	19.13
PR 150F3	150.0	30.0	38.00	21.00	-	83.00	200.0/44960	220.0	12.40
FVR 112F4-P-150	150.0	46.0*	20.00	16.00	52.0	56.0	112.0/25454	123.2	6.60
M R 112F15-B-150	150.0	21.0	32.00	15.00	64.5	69.0	112.0/27272	123.2	6.95
M R 112F16-B-150	150.0	21.0	32.00	15.00	64.5	69.0	112.0/27272	123.2	6.69
FVR 112F3-B-155	155.0	22.0	65.00	16.00	109.0	-	120.0/26977	132.0	7.13
M R 160F4-S-160	160.0	36.0*	37.00	18.00	85.0	-	160.0/36000	176.0	11.39
FVR 180F2-B-160	160.0	30.0	49.00	20.00	91.0	97.0	250.0/56203	275.0	15.53
P 160F12	160.0	50.0*	34.00	20.00	77.8	-	160.0/35993	176.0	10.30
M R 80F3-B-160	160.0	18.0	28.00	12.00	55.0	58.5	80.0/18162	88.0	4.90
M R 450F1-S-200	200.0	60.0*	56.00	30.00	119.0	132.0	450.0/101165	495.0	35.23

\*表示滚子外径

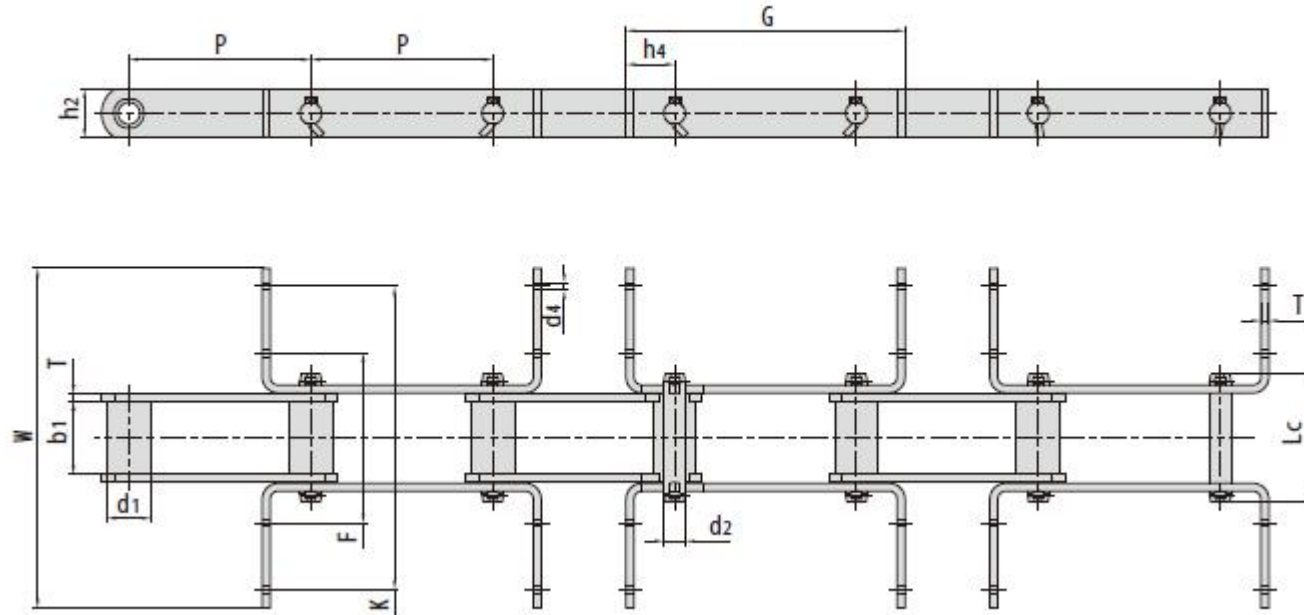
\*Indicates the external diameter of roller





# HANGZHOU OCEAN INDUSTRY CO., LTD.

Chain No.	G	F	W	K	h4	h2	d4	T
	mm	mm	mm	mm	mm	mm	mm	mm
FVR 90F1-B-125	175.0	90.0	290.0	270.0	30.0	40.0	9.0	5.0
P 125F3	190.0	139.5	290.0	259.5	35.0	51.0	8.5	6.0
P 125F4	190.0	119.5	220.0	191.5	35.0	51.0	8.5	6.0
M R 160F16-S-100	170.0	118.0	235.0	208.0	40.0	50.0	12.0	7.0
M R 80F8-B-125	175.0	92.0	280.0	252.0	30.0	35.0	6.5	6.0
M R 112F11-B-125	184.0	90.0	190.0	160.0	35.0	40.0	7.0	5.0
M R 112R 18-B-125	185.0	-	235.0	-	35.0	40.0	-	6.0
M R 112F19-B-100	185.0	-	235.0	-	35.0	40.0	-	6.0
M R 112F20-B-125	185.0	-	240.0	-	35.0	40.0	-	6.0
M R 160F13-B-125	195.0	-	230.0	-	40.0	50.0	-	7.0
M R 160F18-B-125	195.5	-	320.0	-	40.0	50.0	-	7.0
M 310F1-P-150	220.0	-	350.0	-	40.0	50.0	-	10.0
PR 150F3	234.0	98.0	210.0	250.0	50.0	56.0	11.0	8.0
FVR 112F4-P-150	203.0	83.0	109.0	-	28.0	40.0	10.0	6.0
M R 80F3-B-160	205.0	-	320.0	-	25.0	35.0	-	5.0
M R 112F15-B-150	210.0	120.0	280.0	240.0	35.0	40.0	9.0	6.0
FVR 112F3-B-155	207.5	-	250.0	-	30.0	40.0	-	6.0
M R 160F4-S-160	248.5	140.0	300.0	250.0	63.5	50.0	18.0	7.0
FVR 180F2-B-160	230.0	248.0	368.0	308.0	35.0	60.0	8.0	8.0
P 160F12	230.0	-	214.5	-	40.0	50.0	-	6.0
M R 112F16-B-150	210.0	100.0	240.0	200.0	35.0	40.0	9.0	6.0
M R 450F1-S-200	307.0	-	488.0	-	60.0	80.0	-	12.0



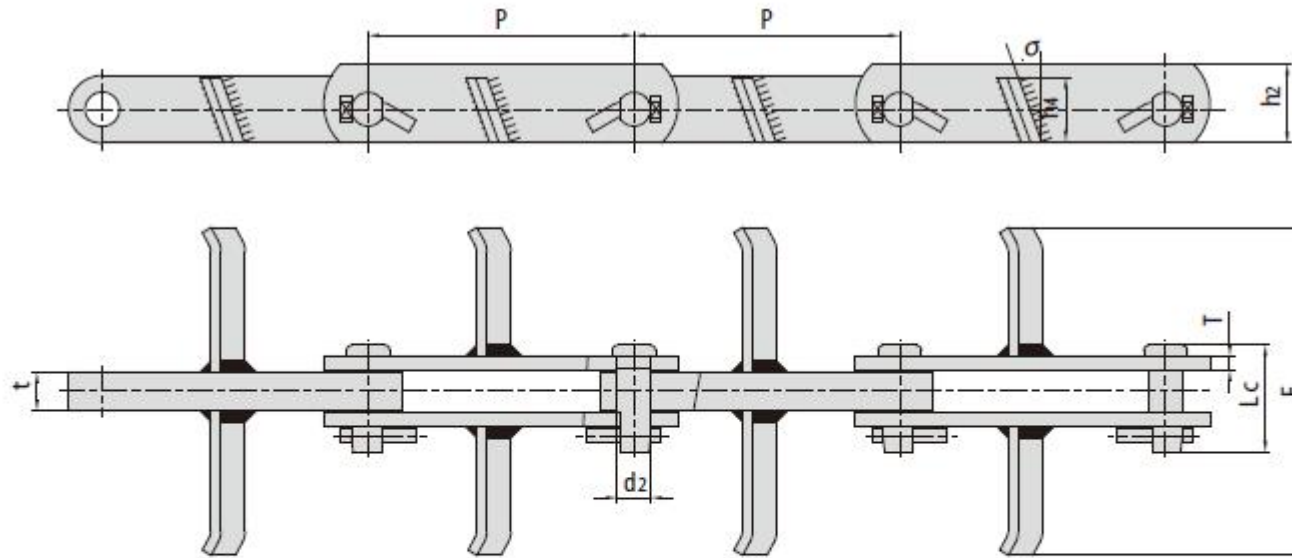


# HANGZHOU OCEAN INDUSTRY CO., LTD.

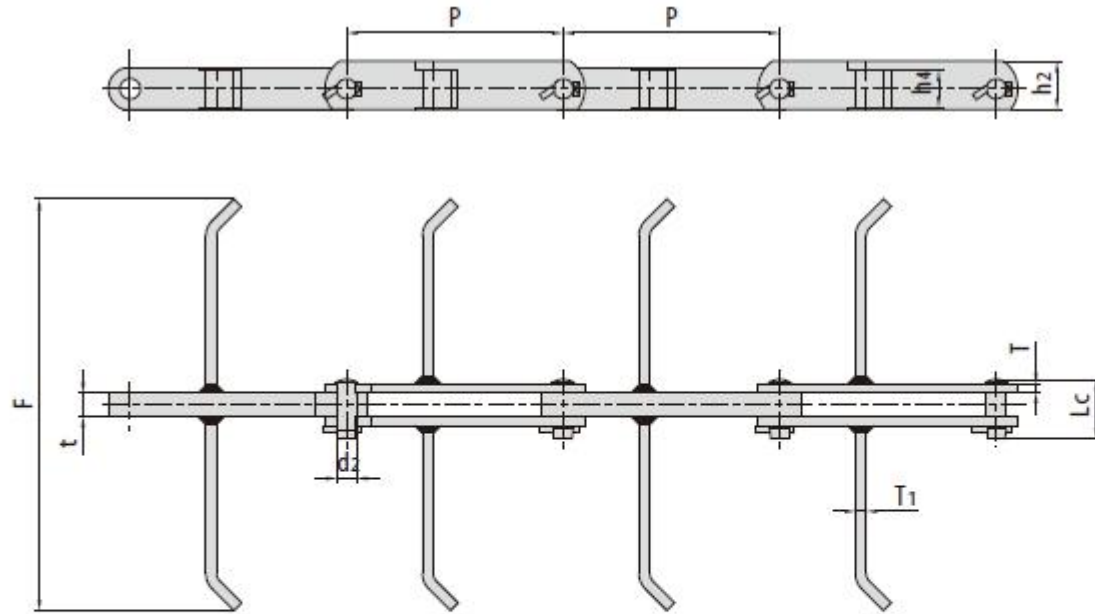
Chain No.	节距 Pitch	套筒直径 Bush diameter	内节内宽 Width between inner plates	销轴直径 Pin diameter	销轴长度 Pin length	抗拉强度 Tensile strength	平均抗拉强度 Average tensile strength	每米长重 Weight per meter
	p	d <sub>1 max</sub>	b <sub>1 min</sub>	d <sub>2 max</sub>	L <sub>c max</sub>	Q <sub>min</sub>	Q <sub>o</sub>	q
	mm	mm	mm	mm	mm	kN/bf	kN	kg/m
PR 150F4	150.0	36.0	60.00	18.00	106.00	160.0/35968	176.00	11.50
P 150F147	150.0	36.0	55.00	25.40	116.00	330.0/74184	363.00	27.80

Chain No.	G	F	W	K	h <sub>4</sub>	h <sub>2</sub>	d <sub>4</sub>	T
	mm	mm	mm	mm	mm	mm	mm	mm
PR 150F4	230.0	140.0	280.0	250.0	40.0	40.0	6.0	6.5
P 150F147	236.0	-	380.0	-	43.0	60.0	-	8.0





Chain No.	节距	销轴直径	销轴长度	链板高度	链板厚度	附板尺寸			抗拉强度	平均抗拉强度	每米长重
	Pitch	P in diameter	P in length	Inner plate depth	Plate thickness	Attachment dimension			Tensile strength	Average tensile strength	Weight per meter
	p	d <sub>2 max</sub>	L <sub>c max</sub>	h <sub>2 max</sub>	t/T <sub>max</sub>	F	h <sub>4</sub>	σ	Q <sub>min</sub>	Q <sub>o min</sub>	q
	mm	mm	mm	mm	mm	mm	mm	mm	kN/bf	mm	kg/m
BC 150F1	150.0	18.95	60.0	44.5	22.0/7.9	185.0	36.0	20°	280.6/63081	308.7	8.90



Chain No.	节距 Pitch	销轴直径 Pin diameter	销轴长度 Pin length	链板高度 Inner plate depth	链板厚度 Plate thickness	附板尺寸 Attachment dimension			抗拉强度 Tensile strength	平均抗拉强度 Average tensile strength	每米长重 Weight per meter
	p	d <sub>2max</sub>	L <sub>cmax</sub>	h <sub>2max</sub>	t/T <sub>max</sub>	F	T <sub>1</sub>	h <sub>4</sub>	Q <sub>min</sub>	Q <sub>0min</sub>	q
	mm	mm	mm	mm	mm	mm	mm	mm	kN/bf	mm	kg/m
BC 200F5	200.0	18.50	56.0	44.5	22.0/7.9	380.0	10.0	34.0	280.6/63081	308.7	11.90