

## ***pulleys***

*Pilot bore , taper bore pulleys, adjustable pulleys and multi wedge pulleys. They international universal designs are adopted. They pulleys are of good quality and are fine working which are popularly sold around the world.*



*Both pilot bore and taper bore v-pulleys can be provided from stock with a shortened delivery time.*

*Choice of Materials*

*S45C, GG25, GGG40, Aluminum, etc.*

*Surface Finish*

*Black oxide, phosphate, painted or passivated.*

# *Pulleys*



**T<sup>aper</sup>  
B<sub>ore</sub> V-pulleys**  
SPZ SPA SPB SPC



**A<sup>djustable</sup>  
S<sub>peed</sub> V-pulleys**  
TB-1 TB-2 SB-1 SB-2



**S<sup>tock</sup>  
B<sub>ore</sub> V-pulleys**  
SPZ SPA SPB SPC



**M<sup>ulti</sup>  
-W<sub>edged</sub> pulleys**  
J L M

**T<sub>aper</sub>  
B<sub>ore</sub>** **V-pulleys** BS3790 - 1981

*We can produce the whole series of taper bore v-pulleys: SPA, SPB, SPC and SPZ . They are made of high grade GG25 cast iron, with a delicate finish and assembled precisely. They can also be matched with BTL Bushings with easy on and easy off capabilities and practical utility . They are suitable for all kinds of power transmission installation.*

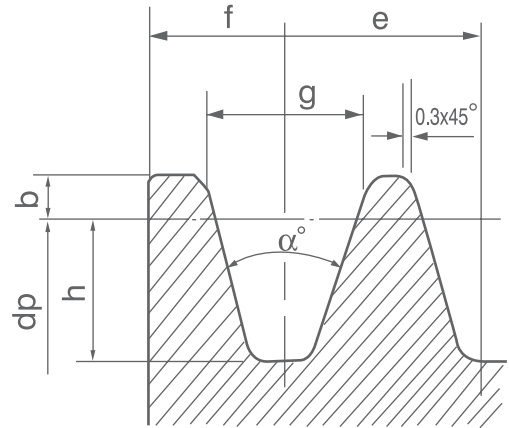


*Commercial grade boxes can be provided to taper bore V-pulleys of the outside diameter below 300MM.*



***Stock sale, immediate delivery.***

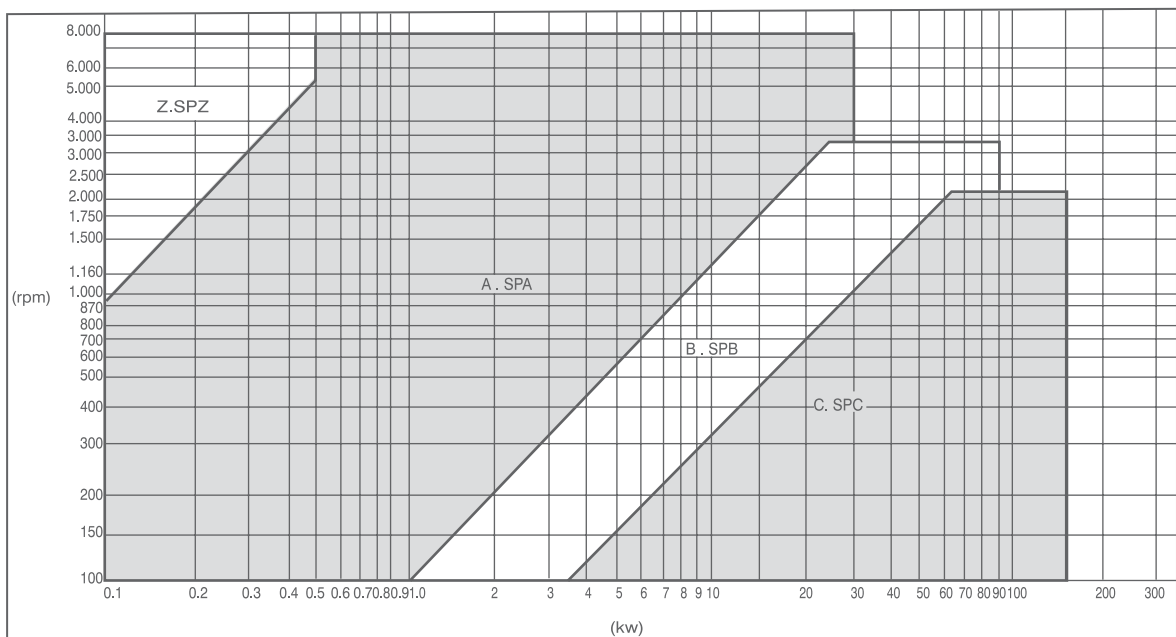
**T<sub>aper</sub>  
B<sub>ore</sub>** **V-pulleys** **BS3790 - 1981**



**SPZ - SPA - SPB - SPC**

SEZIONE	PD(mm)	a°	f	e	g	h	b
Z-SPZ	≤80	34	8	12	9.7	9	2
	>80	38			9.9		
A-SPA	≤118	34	10	15	12.7	11	2.75
	>118	38			12.9		
B-SPB	≤190	34	12.5	19	16.1	14	3.5
	>190	38			16.4		
C-SPC	≤315	34	17	25.5	21.9	19	4.8
	>315	38			22.3		

**SELECTION FOR STOCK V-BELT PULLEYS**





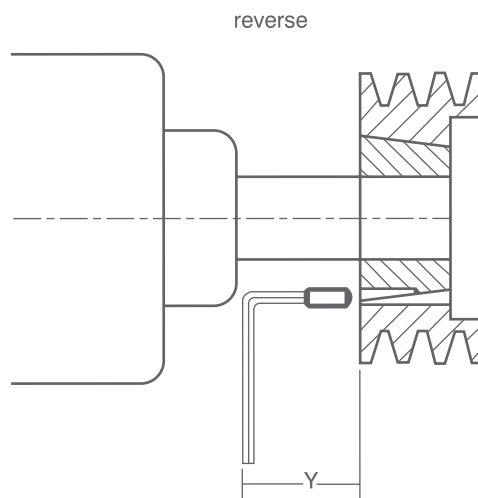
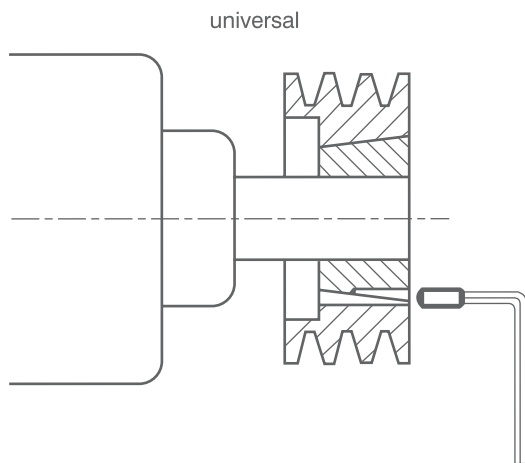
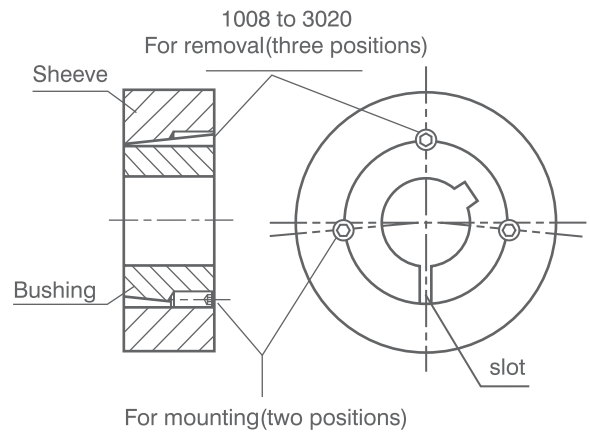
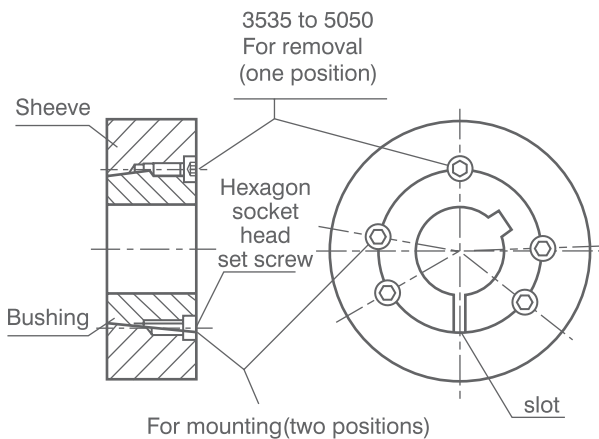
# T<sub>aper</sub> B<sub>ore</sub> V-pulleys

# BTL

## BTL Taper bushing

### ASSEMBLING INSTRUCTIONS

Belt pulleys with new taper-lock type bushings have changed the traditional way of transmissions. It is easy on and easy off with high precision and reliable transmission function. It is suitable for any installation of different sizes by using taper lock bushings of different types. It can simplify the design procedure, avoid the re-machinery thus increase the degree of the commonality and standardization of the v-belt pulleys. It can be adopted widely in the power transmission industry.



Screw fastening and removing clearance (Y) is necessary.




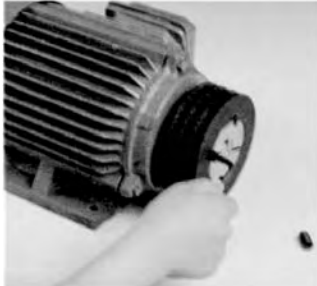
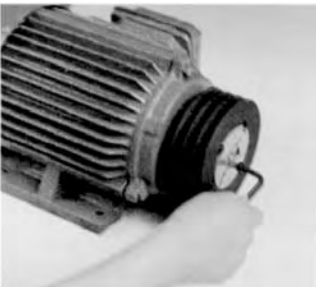
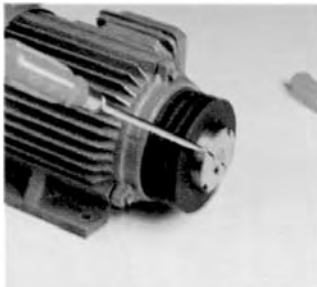
**T<sub>aper</sub>  
B<sub>ore</sub>** **V-pulleys**

**BTL**

**SPA-SPB-SPC-SPZ**

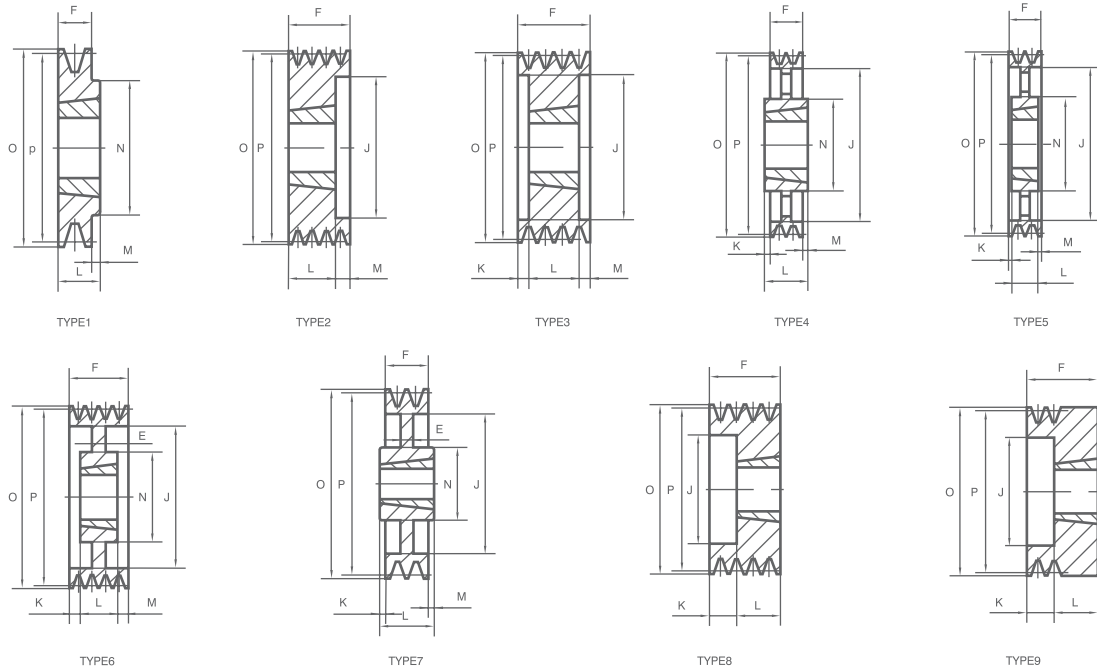
**BTL Taper bushing**

ASSEMBLING INSTRUCTIONS

<b>Tool Required Are:</b>	
-torque wrench or hexagon wrench -socket wrench for bushing -plastic hammer -screwdriver	
TO ASSEMBLE	TO REMOVE
<p>Insert bushing into sheave and fasten with right strength.</p>  <p>Bushing should not be fastened to final positions. Bolts screwed-up about two thirds of the overall length.</p>	<p>Remove bolt</p>  <p>Screw off all bolts and remove.</p>
<p>Insert to shaft</p>  <p>Bushing is still loosely fastened Expand the bolt with the screwdriver to insert easily.</p>	<p>Loosen taper-fitted bushing from shaft.</p>  <p>Place lubrication oil on blot Screw one of the bolts into a removal hole until bushing comes out about 5mm. If removing the bolt is difficult, hit on the hub of the sheave with a hammer.</p>
<p>Fastening bolts to finish</p>  <p>Fasten with wrench ( torque wrench is better if bolt is tough to screw on). Lightly hit on hub of sheave with a hammer screw gradually and alternatively give a little grease into a removal hole.</p>	<p>Remove bushing and pulley.</p>  <p>Expand the bolt with screwdriver to get it to remove from the shaft easily.</p>

**T<sub>aper</sub>**  
**B<sub>ore</sub>** **V-pulleys**

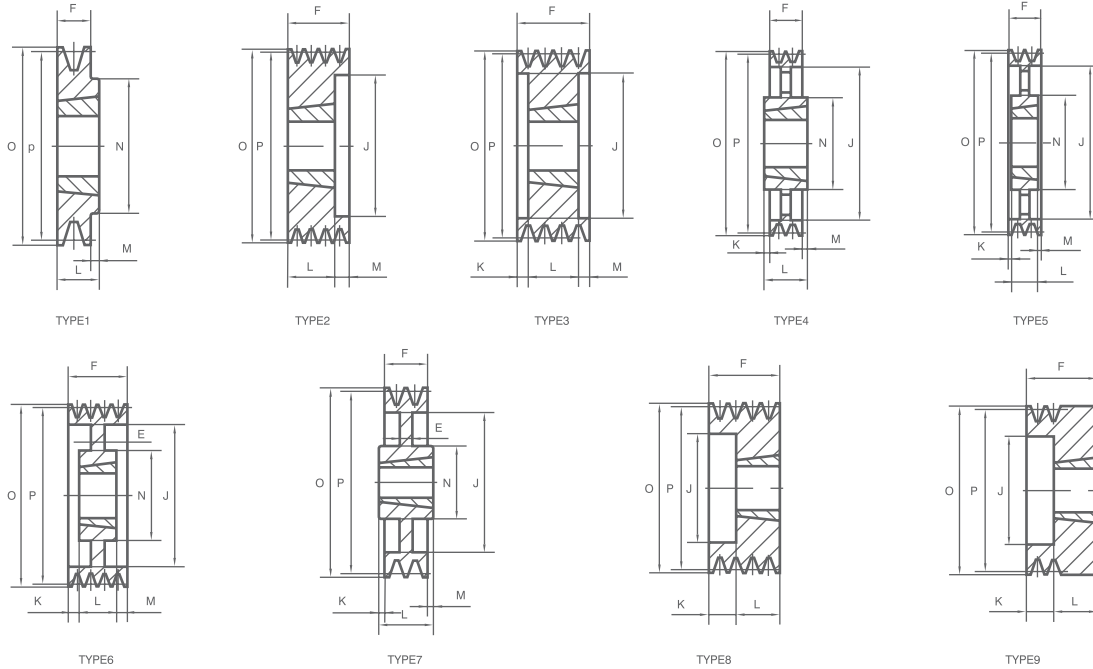
**SPZ-1**



PART NO.	NO.OF GROOVES	P.D	O.D	TYPE	BUSH NO.	MAX BORE	E	F	J	K	L	M	N
SPZ 50-01	1	50.0	54.0	9	1008	25	—	37	28	15	22	—	—
SPZ 56-01	1	56.0	60.0	9	1008	25	—	37	33	15	22	—	—
SPZ 60-01	1	60.0	64.0	9	1008	25	—	22	—	—	22	—	—
SPZ 63-01	1	63.0	67.0	1	1108	28	—	16	—	—	22	6	62
SPZ 67-01	1	67.0	71.0	1	1108	28	—	16	—	—	22	6	62
SPZ 71-01	1	71.0	75.0	1	1108	28	—	16	—	—	22	6	62
SPZ 75-01	1	75.0	79.0	1	1108	28	—	16	—	—	22	6	62
SPZ 80-01	1	80.0	84.0	1	1210	32	—	16	—	—	25	9	75
SPZ 85-01	1	85.0	89.0	1	1210	32	—	16	—	—	25	9	75
SPZ 90-01	1	90.0	94.0	1	1210	32	—	16	—	—	25	9	75
SPZ 95-01	1	95.0	99.0	1	1210	32	—	16	—	—	25	9	75
SPZ100-01	1	100.0	104.0	1	1210	32	—	16	—	—	25	9	75
SPZ106 -01	1	106.0	110.0	1	1610	42	—	16	—	—	25	9	80
SPZ112-01	1	112.0	116.0	1	1610	42	—	16	—	—	25	9	80
SPZ118-01	1	118.0	122.0	1	1610	42	—	16	—	—	25	9	80
SPZ125-01	1	125.0	129.0	1	1610	42	—	16	—	—	25	9	80
SPZ132-01	1	132.0	136.0	1	1610	42	—	16	—	—	25	9	80
SPZ140-01	1	140.0	144.0	1	1610	42	—	16	—	—	25	9	80
SPZ150-01	1	150.0	154.0	1	1610	42	—	16	—	—	25	9	80
SPZ160-01	1	160.0	164.0	1	1610	42	—	16	—	—	25	9	80
SPZ170-01	1	170.0	174.0	1	1610	42	—	16	—	—	25	9	80
SPZ180-01	1	180.0	184.0	1	1610	42	—	16	—	—	25	9	80
SPZ190-01	1	190.0	194.0	7	1610	42	15	16	161	—	25	9	80
SPZ200-01	1	200.0	204.0	7	2012	50	15	16	172	—	32	16	100
SPZ224-01	1	224.0	228.0	7	2012	50	15	16	196	—	32	16	100
SPZ250-01	1	250.0	254.0	4	2012	50	—	16	222	8	32	8	100
SPZ280-01	1	280.0	284.0	4	2012	50	—	16	252	8	32	8	100
SPZ315-01	1	315.0	319.0	4	2012	50	—	16	287	8	32	8	100
SPZ355-01	1	355.0	359.0	4	2012	50	—	16	326	8	32	8	112
SPZ400-01	1	400.0	404.0	4	2012	50	—	16	371	8	32	8	112
SPZ450-01	1	450.0	454.0	4	2517	60	—	16	421	14.5	45	14.5	120

# Taper Bore V-pulleys

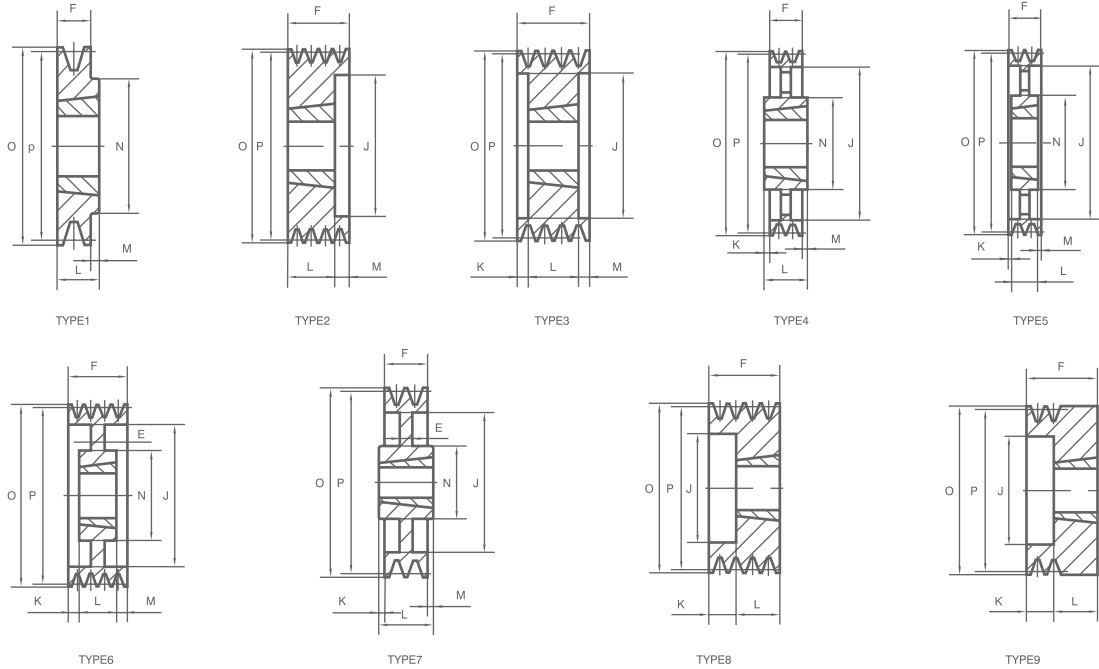
# SPZ-2



PART NO.	NO.OF GROOVES	P.D	O.D	TYPE	BUSH NO.	MAX BORE	E	F	J	K	L	M	N
SPZ 50-02	2	50.0	54.0	9	1008	25	—	49	28	27	22	—	—
SPZ 56-02	2	56.0	60.0	9	1108	28	—	49	35	27	22	—	—
SPZ 60-02	2	60.0	64.0	9	1108	28	—	49	36	27	22	—	—
SPZ 63-02	2	63.0	67.0	8	1108	28	—	28	40	6	22	—	—
SPZ 67-02	2	67.0	71.0	8	1108	28	—	28	42	6	22	—	—
SPZ 71-02	2	71.0	75.0	8	1108	28	—	28	42	6	22	—	—
SPZ 75-02	2	75.0	79.0	8	1210	32	—	28	51	3	25	—	—
SPZ 80-02	2	80.0	84.0	8	1210	32	—	28	51	3	25	—	—
SPZ 85-02	2	85.0	89.0	8	1610	42	—	28	60	3	25	—	—
SPZ 90-02	2	90.0	94.0	8	1610	42	—	28	61	3	25	—	—
SPZ 95-02	2	95.0	99.0	8	1610	42	—	28	66	3	25	—	—
SPZ100-02	2	100.0	104.0	8	1610	42	—	28	71	3	25	—	—
SPZ106-02	2	106.0	110.0	8	1610	42	—	28	76	3	25	—	—
SPZ112-02	2	112.0	116.0	8	1610	42	—	28	84	3	25	—	—
SPZ118-02	2	118.0	122.0	8	1610	42	—	28	90	3	25	—	—
SPZ125-02	2	125.0	129.0	8	1610	42	—	28	97	3	25	—	—
SPZ132-02	2	132.0	136.0	8	1610	42	—	28	104	3	25	—	—
SPZ140-02	2	140.0	146.0	8	1610	42	—	28	112	3	25	—	—
SPZ150-02	2	150.0	154.0	1	2012	50	—	28	—	—	32	4	100
SPZ160-02	2	160.0	164.0	1	2012	50	—	28	—	—	32	4	100
SPZ170-02	2	170.0	174.0	1	2012	50	—	28	—	—	32	4	100
SPZ180-02	2	180.0	184.0	7	2012	50	10	28	152	—	32	4	100
SPZ190-02	2	190.0	194.0	7	2012	50	10	28	161	—	32	4	100
SPZ200-02	2	200.0	204.0	7	2012	50	10	28	171	—	32	4	100
SPZ224-02	2	224.0	228.0	7	2012	50	10	28	196	—	32	4	100
SPZ250-02	2	250.0	254.0	4	2012	50	—	28	222	2	32	2	100
SPZ280-02	2	280.0	284.0	4	2012	50	—	28	252	2	32	2	100
SPZ315-02	2	315.0	319.0	4	2012	50	—	28	286	2	32	2	100
SPZ355-02	2	355.0	359.0	4	2012	50	—	28	326	2	32	2	112
SPZ400-02	2	400.0	404.0	4	2517	50	—	28	371	8.5	45	8.5	120
SPZ450-02	2	450.0	454.0	4	2517	60	—	28	421	8.5	45	8.5	120

**Taper Bore V-pulleys**

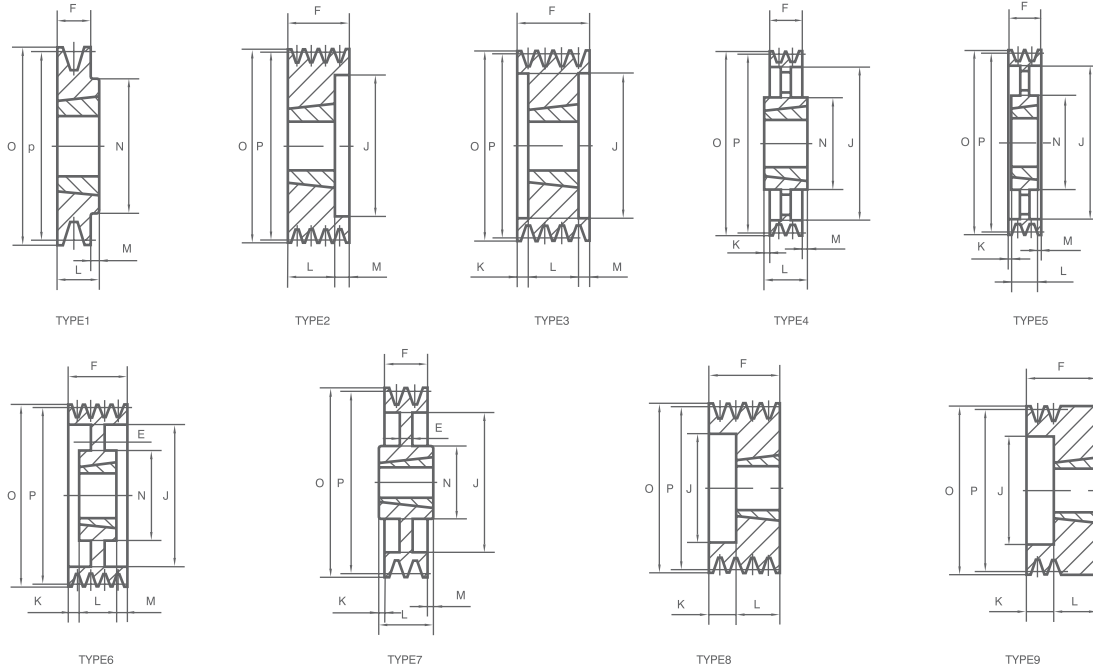
**SPZ-3**



PART NO.	NO.OF GROOVES	P.D	O.D	TYPE	BUSH NO.	MAX BORE	E	F	J	K	L	M	N
SPZ 63-03	3	63.0	67.0	8	1108	28	—	40	40	18	22	—	—
SPZ 67-03	3	67.0	71.0	8	1108	28	—	40	42	18	22	—	—
SPZ 71-03	3	71.0	75.0	8	1108	28	—	40	42	18	22	—	—
SPZ 75-03	3	75.0	79.0	8	1210	32	—	40	48	15	25	—	—
SPZ 80-03	3	80.0	84.0	8	1210	32	—	40	51	15	25	—	—
SPZ 85-03	3	85.0	89.0	8	1610	42	—	40	60	15	25	—	—
SPZ 90-03	3	90.0	94.0	8	1610	42	—	40	61	15	25	—	—
SPZ 95-03	3	95.0	99.0	8	1610	42	—	40	66	15	25	—	—
SPZ 100-03	3	100.0	104.0	8	1610	42	—	40	71	15	25	—	—
SPZ 106-03	3	106.0	110.0	8	1610	42	—	40	78	15	25	—	—
SPZ 112-03	3	112.0	116.0	8	2012	50	—	40	84	8	32	—	—
SPZ 118-03	3	118.0	122.0	8	2012	50	—	40	92	8	32	—	—
SPZ 125-03	3	125.0	129.0	2	2012	50	—	40	97	—	32	8	—
SPZ 132-03	3	132.0	136.0	2	2012	50	—	40	104	—	32	8	—
SPZ140-03	3	140.0	144.0	2	2012	50	—	40	112	—	32	8	—
SPZ 150-03	3	150.0	154.0	2	2012	50	—	40	122	—	32	8	—
SPZ 160-03	3	160.0	164.0	2	2012	50	—	40	132	—	32	8	—
SPZ 170-03	3	170.0	174.0	2	2012	50	—	40	141	—	32	8	—
SPZ 180-03	3	180.0	184.0	2	2012	50	—	40	152	—	32	8	—
SPZ190-03	3	190.0	194.0	6	2012	50	20	40	161	4	32	4	100
SPZ 200-03	3	200.0	204.0	6	2012	50	20	40	172	4	32	4	100
SPZ 224-03	3	224.0	228.0	6	2012	50	20	40	196	4	32	4	100
SPZ 250-03	3	250.0	254.0	5	2012	50	—	40	222	4	32	4	100
SPZ 280-03	3	280.0	284.0	4	2517	50	—	40	252	2.5	45	2.5	120
SPZ 315-03	3	315.0	319.0	4	2517	50	—	40	287	2.5	45	2.5	120
SPZ 355-03	3	355.0	359.0	4	2517	60	—	40	326	2.5	45	2.5	120
SPZ 400-03	3	400.0	404.0	4	2517	60	—	40	371	2.5	45	2.5	120
SPZ 450-03	3	450.0	454.0	4	2517	60	—	40	421	2.5	45	2.5	120
SPZ 500-03	3	500.0	504.0	4	2517	60	—	40	471	2.5	45	2.5	120
SPZ 630-03	3	630.0	634.0	4	2517	60	—	40	601	2.5	45	2.5	120
SPZ 800-03	3	800.0	804.0	4	3020	75	—	40	771	2.5	51	5.5	150

**Taper  
Bore** **V-pulleys**

**SPZ-4**

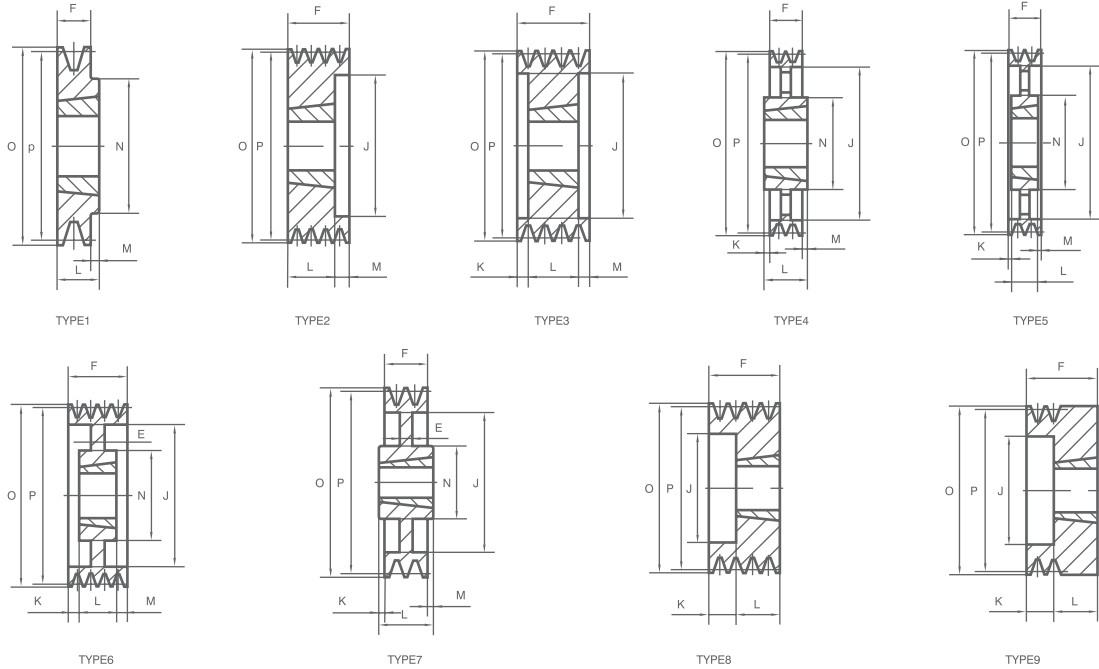


PART NO.	NO.OF GROOVES	R.D	O.D	TYPE	BUSH NO.	MAX BORE	E	F	J	K	L	M	N
SPZ 80-04	4	80.0	84.0	8	1210	32	—	52	51	27	25	—	—
SPZ 85-04	4	85.0	89.0	8	1610	42	—	52	60	27	25	—	—
SPZ 90-04	4	90.0	94.0	8	1610	42	—	52	61	27	25	—	—
SPZ 95-04	4	95.0	99.0	8	1610	42	—	52	66	27	25	—	—
SPZ100-04	4	100.0	104.0	8	1610	42	—	52	72	27	25	—	—
SPZ106-04	4	106.0	110.0	8	1610	42	—	52	80	27	25	—	—
SPZ112-04	4	112.0	116.0	8	2012	50	—	52	86	20	32	—	—
SPZ118-04	4	118.0	122.0	8	2012	50	—	52	92	20	32	—	—
SPZ125-04	4	125.0	129.0	2	2012	50	—	52	99	20	32	20	—
SPZ132-04	4	132.0	136.0	2	2012	50	—	52	104	20	32	20	—
SPZ140-04	4	140.0	144.0	2	2012	50	—	52	112	7	32	20	—
SPZ150-04	4	150.0	154.0	2	2517	60	—	52	122	7	45	7	—
SPZ160-04	4	160.0	164.0	2	2517	60	—	52	132	—	45	7	—
SPZ170-04	4	170.0	174.0	2	2517	60	—	52	141	—	45	7	—
SPZ180-04	4	180.0	184.0	2	2517	60	—	52	152	—	45	7	—
SPZ190-04	4	190.0	194.0	6	2517	60	10	52	161	3.5	45	3.5	120
SPZ200-04	4	200.0	204.0	6	2517	60	10	52	172	3.5	45	3.5	120
SPZ224-04	4	224.0	228.0	6	2517	60	10	52	196	3.5	45	3.5	120
SPZ250-04	4	250.0	254.0	5	2517	60	—	52	222	3.5	45	3.5	120
SPZ280-04	4	280.0	284.0	5	2517	60	—	52	252	3.5	45	3.5	120
SPZ315-04	4	315.0	319.0	5	2517	60	—	52	287	3.5	45	3.5	120
SPZ355-04	4	355.0	359.0	5	2517	60	—	52	326	3.5	45	3.5	120
SPZ400-04	4	400.0	404.0	5	2517	60	—	52	371	3.5	45	3.5	120
SPZ450-04	4	450.0	454.0	5	3020	75	—	52	421	0.5	51	0.5	150
SPZ500-04	4	500.0	504.0	5	3020	75	—	52	471	0.5	51	0.5	150
SPZ630-04	4	630	634.0	4	3030	75	—	52	601-	12	76	12	150
SPZ800-04	4	800.0	804.0	4	3030	75	—	52	771	12	76	12	150



**T<sub>aper</sub>  
B<sub>ore</sub>** **V-pulleys**

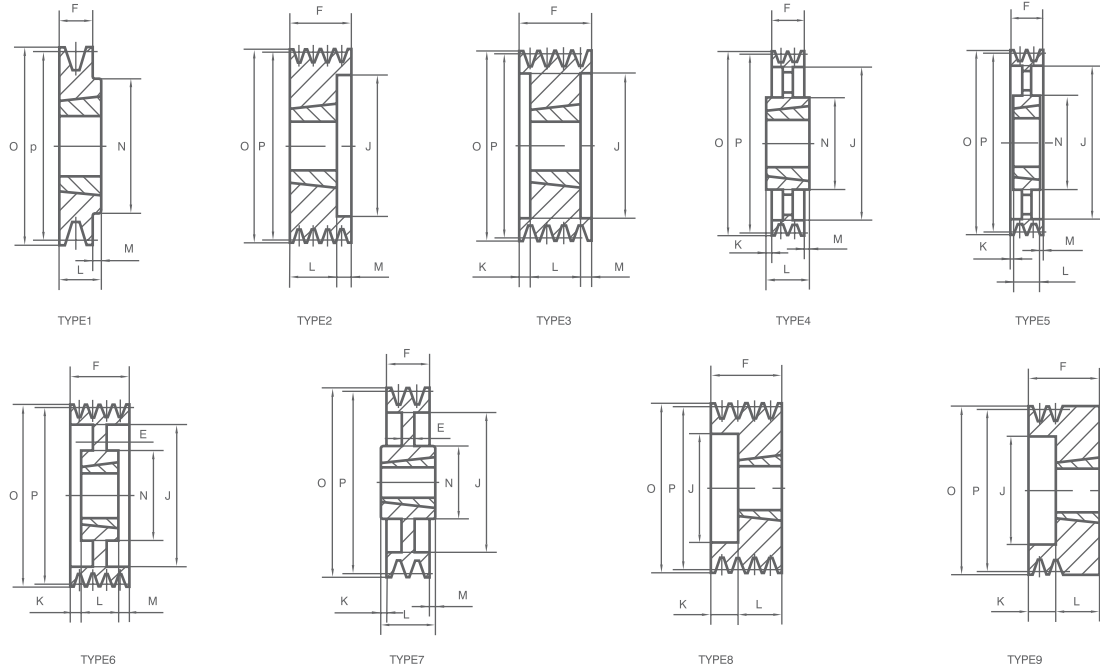
**SPZ-5**



PART NO.	NO.OF GROOVES	P.D	O.D	TYPE	BUSH NO.	MAX BORE	E	F	J	K	L	M	N
SPZ 85-05	5	85.0	89.0	8	1610	42	—	64	60	39	25	—	—
SPZ 90-05	5	90.0	94.0	8	1610	42	—	64	61	39	25	—	—
SPZ 95-05	5	95.0	99.0	8	1610	42	—	64	66	39	25	—	—
SPZ100-05	5	100.0	104.0	8	2012	50	—	64	72	32	32	—	—
SPZ106-05	5	106.0	110.0	8	2012	50	—	64	78	32	32	—	—
SPZ112-05	5	112.0	116.0	8	2012	50	—	64	84	32	32	—	—
SPZ118-05	5	118.0	122.0	8	2012	50	—	64	90	32	32	—	—
SPZ125-05	5	125.0	129.0	8	2012	50	—	64	97	32	32	—	—
SPZ132-05	5	132.0	136.0	8	2517	60	—	64	104	19	45	—	—
SPZ140-05	5	140.0	144.0	2	2517	60	—	64	112	—	45	19	—
SPZ150-05	5	150.0	154.0	2	2517	60	—	64	122	—	45	19	—
SPZ160-05	5	160.0	164.0	2	2517	60	—	64	132	—	45	19	—
SPZ170-05	5	170.0	174.0	2	2517	60	—	64	141	—	45	19	—
SPZ180-05	5	180.0	184.0	2	2517	60	—	64	152	—	45	19	—
SPZ190-05	5	190.0	194.0	6	2517	60	10	64	161	9.5	45	9.5	120
SPZ200-05	5	200.0	204.0	6	2517	60	10	64	172	9.5	45	9.5	120
SPZ224-05	5	224.0	228.0	6	2517	60	10	64	196	9.5	45	9.5	120
SPZ250-05	5	250.0	254.0	5	2517	60	—	64	222	9.5	45	9.5	120
SPZ280-05	5	280.0	284.0	5	2517	60	—	64	252	9.5	45	9.5	120
SPZ315-05	5	315.0	319.0	5	2517	60	—	64	287	9.5	45	9.5	120
SPZ355-05	5	355.0	359.0	5	2517	60	—	64	326	9.5	45	9.5	120
SPZ400-05	5	400.0	404.0	5	3020	75	—	64	371	6.5	51	6.5	150
SPZ450-05	5	450.0	454.0	5	3020	75	—	64	421	6.5	51	6.5	150
SPZ500-05	5	500.0	504.0	4	3030	75	—	64	471	6	76	6	150
SPZ630-05	5	630.0	634.0	4	3030	75	—	64	601	6	76	6	150
SPZ800-05	5	800.0	804.0	4	3535	90	—	64	771	12.5	89	12.5	170

**T<sub>aper</sub>  
B<sub>ore</sub>** **V-pulleys**

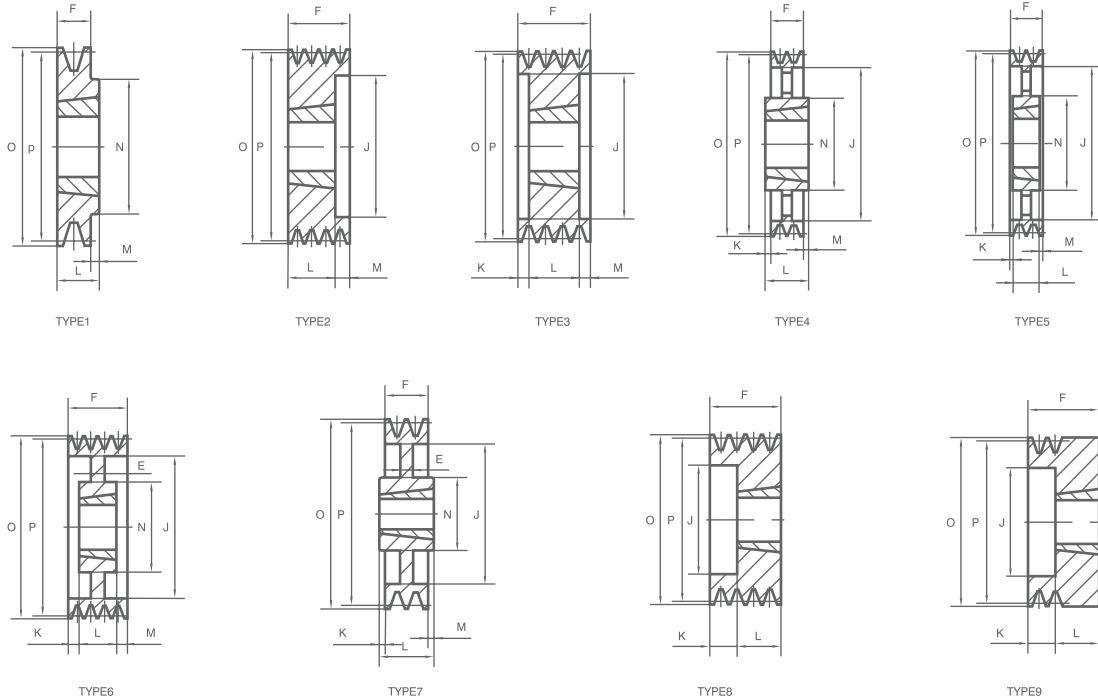
**SPZ-6**



PART NO.	NO.OF GROOVES	R.D	O.D	TYPE	BUSH NO.	MAX BORE	E	F	J	K	L	M	N
SPZ 90-06	6	90.0	94.0	8	1610	42	—	76	61	51	25	—	—
SPZ 95-06	6	95.0	99.0	8	1610	42	—	76	66	51	25	—	—
SPZ100-06	6	100.0	104.0	8	2012	50	—	76	72	44	32	—	—
SPZ106-06	6	106.0	110.0	8	2012	50	—	76	78	44	32	—	—
SPZ112-06	6	112.0	116.0	8	2012	50	—	76	84	44	32	—	—
SPZ118-06	6	118.0	122.0	8	2517	60	—	76	90	31	45	—	—
SPZ125-06	6	125.0	129.0	8	2517	60	—	76	97	31	45	—	—
SPZ132-06	6	132.0	136.0	8	2517	60	—	76	104	31	45	—	—
SPZ140-06	6	140.0	146.0	2	2517	60	—	76	112	—	45	31	—
SPZ150-06	6	150.0	154.0	2	2517	60	—	76	122	—	45	31	—
SPZ160-06	6	160.0	164.0	2	2517	60	—	76	132	—	45	31	—
SPZ170-06	6	170.0	174.0	2	2517	60	—	76	141	—	45	31	—
SPZ180-06	6	180.0	184.0	2	2517	60	—	76	152	—	45	31	—
SPZ190-06	6	190.0	194.0	6	2517	60	10	76	161	15.0	45	15.5	120
SPZ200-06	6	200.0	204.0	6	2517	60	10	76	172	15.0	45	15.5	120
SPZ224-06	6	224.0	228.0	6	2517	60	10	76	196	15.5	45	15.5	120
SPZ250-06	6	250.0	254.0	5	2517	60	—	76	222	15.5	45	15.5	120
SPZ280-06	6	280.0	284.0	5	2517	60	—	76	252	15.5	45	15.5	120
SPZ315-06	6	315.0	319.0	5	2517	60	—	76	287	15.5	45	15.5	120
SPZ355-06	6	355.0	359.0	5	2517	60	—	76	326	15.5	45	15.5	125
SPZ400-06	6	400.0	404.0	5	3030	75	—	76	371	—	76	—	150
SPZ450-06	6	450.0	454.0	5	3030	75	—	76	421	—	76	—	150
SPZ500-06	6	500.0	504.0	5	3030	75	—	76	471	—	76	—	150
SPZ630-06	6	630.0	634.0	4	3535	90	—	76	601	6.5	89	6.5	170
SPZ800-06	6	800.0	804.0	4	3535	90	—	76	771	6.5	89	6.5	170

**T<sub>aper</sub>**  
**B<sub>ore</sub>** **V-pulleys**

**SPZ-8**



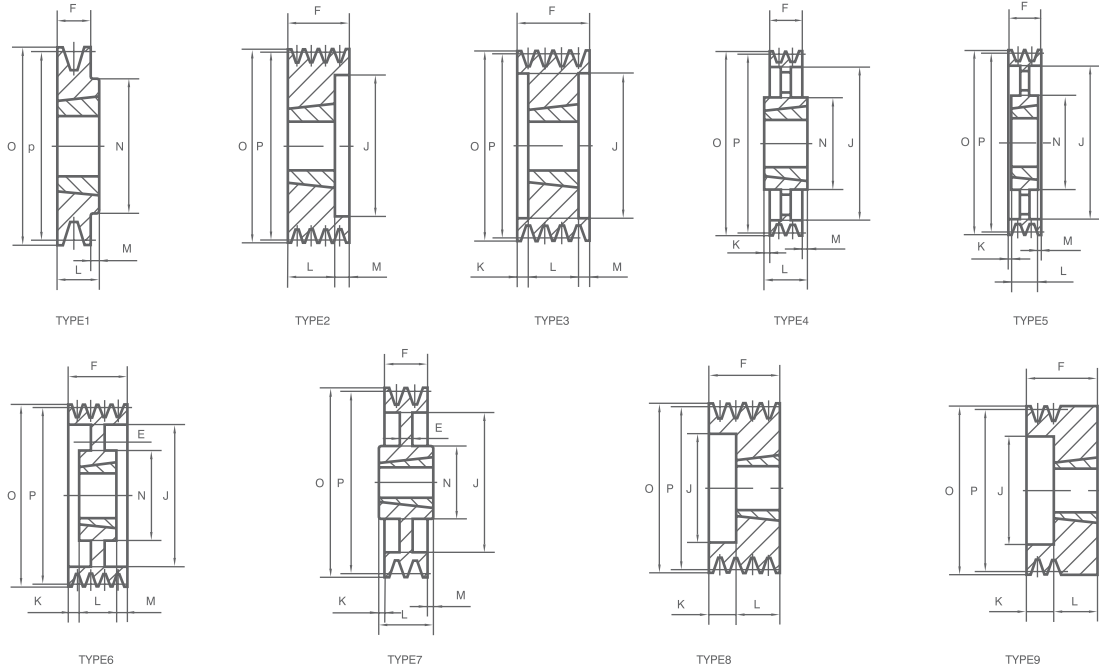
PART NO.	NO.OF GROOVES	P.D	O.D	TYPE	BUSH NO.	MAX BORE	E	F	J	K	L	M	N
SPZ140-08	8	140.0	144.0	3	2517	60	—	100	112	27.5	45	27.5	—
SPZ150-08	8	150.0	154.0	3	2517	60	—	100	122	27.5	45	27.5	—
SPZ160-08	8	160.0	164.0	3	2517	60	—	100	132	27.5	45	27.5	—
SPZ180-08	8	180.0	184.0	3	2517	60	—	100	152	27.5	45	27.5	—
SPZ200-08	8	200.0	204.0	3	3020	75	—	100	171	24.5	51	24.5	—
SPZ224-08	8	224.0	228.0	3	3020	75	—	100	195	24.5	51	24.5	—
SPZ250-08	8	250.0	254.0	6	3020	75	—	100	221	24.5	51	24.5	150
SPZ280-08	8	280.0	284.0	5	3020	75	—	100	252	24.5	51	24.5	150
SPZ355-08	8	355.0	359.0	5	3030	75	—	100	326	12	76	12	150
SPZ400-08	8	400.0	404.0	5	3030	75	—	100	371	12	76	12	150
SPZ450-08	8	450.0	454.0	5	3535	90	—	100	421	5.5	89	5.5	170

Standard bore dimensions of BTL bushings

Bushing	Stock Bores																									
	20	22	24	25	28	30	32	35	38	40	42	45	48	50	55	60	65	70	75	80	85	90	95	100		
2517	●	●	●	●	●	●	●	●	●	●	●	●	●	●	●	●										
3020				●	●	●	●	●	●	●	●	●	●	●	●	●	●	●	●							
3030				●	●	●	●	●	●	●	●	●	●	●	●	●	●	●	●							
3535								●	●	●	●	●	●	●	●	●	●	●	●	●	●	●	●	●	●	

**Taper Bore V-pulleys**

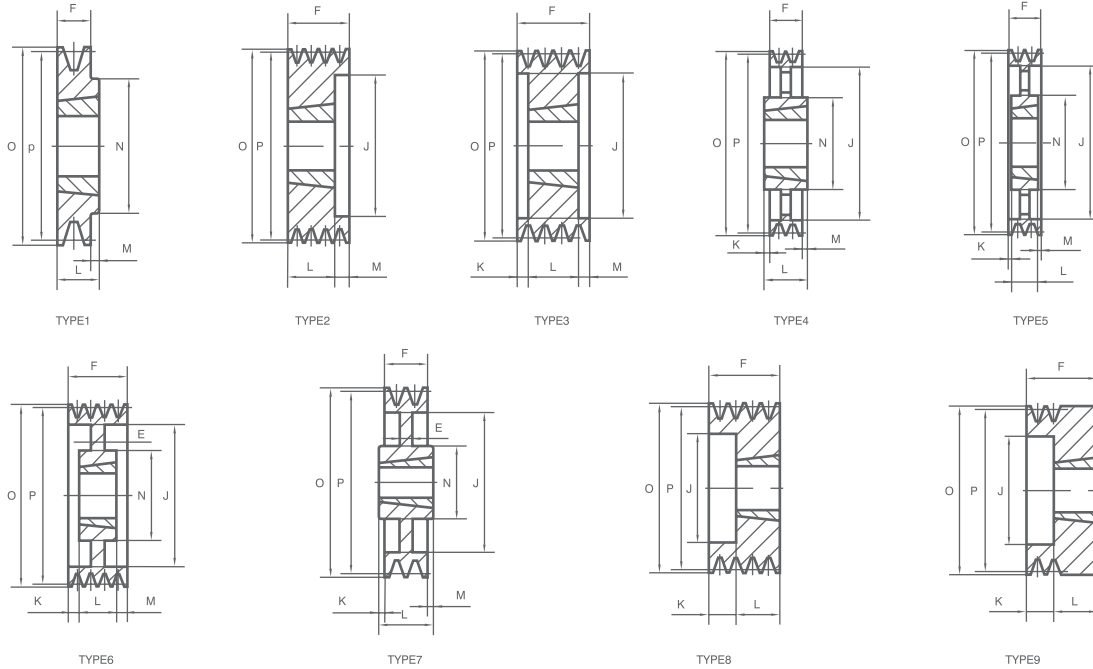
**SPA-1**



PART NO.	NO.OF GROOVES	P.D	O.D	TYPE	BUSH NO.	MAX BORE	E	F	J	K	L	M	N
SPA 63-01	1	63.0	68.5	1	1008	28	—	20	—	—	22	2	56
SPA 67-01	1	67.0	72.5	1	1108	28	—	20	—	—	22	2	62
SPA 71-01	1	71.0	76.5	1	1108	28	—	20	—	—	22	2	62
SPA 75-01	1	75.0	80.5	1	1108	28	—	20	—	—	22	2	62
SPA 80-01	1	80.0	85.5	1	1210	32	—	20	—	—	25	5	75
SPA 85-01	1	85.0	90.5	1	1210	32	—	20	—	—	25	5	75
SPA 90-01	1	90.0	95.5	1	1210	32	—	20	—	—	25	5	75
SPA 95-01	1	95.0	100.5	1	1210	32	—	20	—	—	25	5	75
SPA100-01	1	100.0	105.5	1	1610	42	—	20	—	—	25	5	80
SPA106-01	1	106.0	111.5	1	1610	42	—	20	—	—	25	5	80
SPA112-01	1	112.0	117.5	1	1610	42	—	20	—	—	25	5	80
SPA118-01	1	118.0	123.5	1	1610	42	—	20	—	—	25	5	80
SPA125-01	1	125.0	130.5	1	1610	42	—	20	—	—	25	5	80
SPA132-01	1	132.0	137.5	1	1610	42	—	20	—	—	25	5	80
SPA140-01	1	140.0	145.5	1	1610	42	—	20	—	—	25	5	80
SPA150-01	1	150.0	155.5	1	1610	42	—	20	—	—	25	5	80
SPA160-01	1	160.0	165.5	1	1610	42	—	20	—	—	25	5	80
SPA170-01	1	170.0	175.5	1	1610	42	—	20	—	—	25	5	80
SPA180-01	1	180.0	185.5	1	1610	42	—	20	—	—	25	5	80
SPA190-01	1	190.0	195.5	1	1610	42	—	20	—	—	25	5	80
SPA200-01	1	200.0	205.5	7	2012	50	10	20	165	—	32	12	100
SPA224-01	1	224.0	229.5	7	2012	50	10	20	189	—	32	12	100
SPA250-01	1	250.0	255.5	7	2012	50	10	20	215	6	32	6	100
SPA280-01	1	280.0	285.5	7	2012	50	10	20	245	—	32	12	100
SPA315-01	1	315.0	320.5	4	2012	50	—	20	280	—	32	12	100
SPA355-01	1	355.0	360.5	4	2012	50	—	20	320	—	32	12	100
SPA400-01	1	400.0	405.5	4	2012	50	—	20	365	—	32	12	100
SPA450-01	1	450.0	455.5	4	2012	50	—	20	415	—	32	12	100
SPA500-01	1	500.0	505.5	4	2517	60	—	20	465	—	45	25	120
SPA630-01	1	630.0	635.5	4	2517	60	—	20	595	—	45	25	120

**Taper Bore V-pulleys**

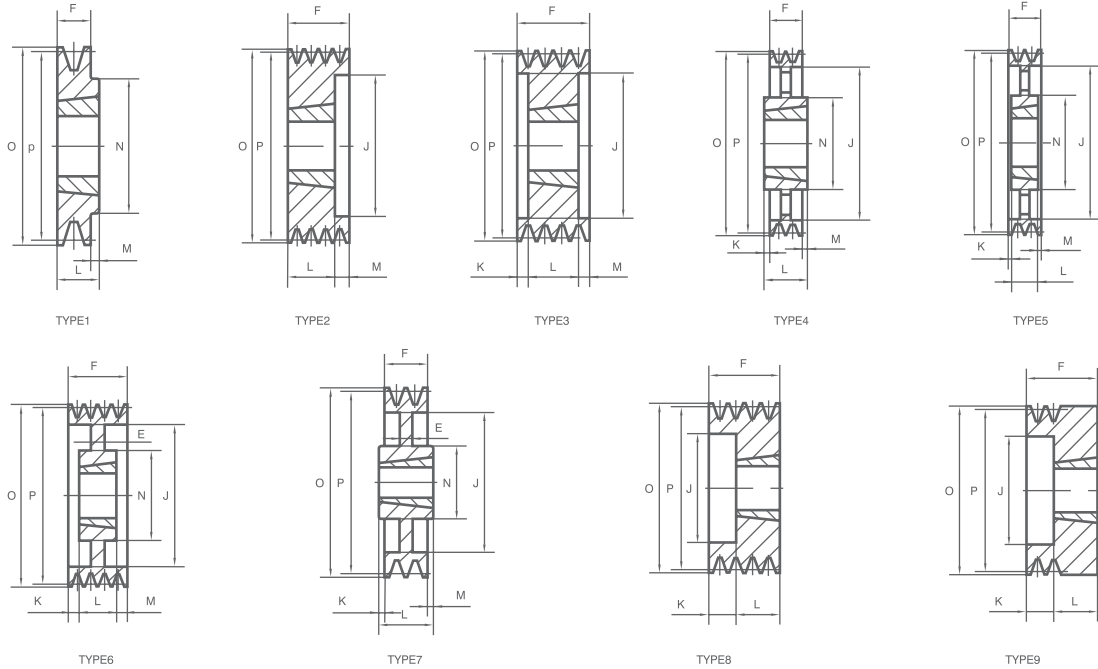
**SPA-2**



PART NO.	NO.OF GROOVES	P.D	O.D	TYPE	BUSH NO.	MAX BORE	E	F	J	K	L	M	N
SPA 63-02	2	63.0	68.5	8	1008	28	—	35	36	13	22	—	—
SPA 67-02	2	67.0	72.5	8	1108	28	—	35	37	13	22	—	—
SPA 71-02	2	71.0	76.5	8	1108	28	—	35	40	13	22	—	—
SPA 75-02	2	75.0	80.5	8	1108	28	—	35	44	13	22	—	—
SPA 80-02	2	80.0	85.5	8	1210	32	—	35	47	10	25	—	—
SPA 85-02	2	85.0	90.5	8	1210	32	—	35	50	10	25	—	—
SPA 90-02	2	90.0	95.5	8	1610	42	—	35	60	10	25	—	—
SPA 95-02	2	95.0	100.5	8	1610	42	—	35	64	10	25	—	—
SPA100-02	2	100.0	105.5	8	1610	42	—	35	70	10	25	—	—
SPA106-02	2	106.0	111.5	8	1610	42	—	35	76	10	25	—	—
SPA112-02	2	112.0	117.5	8	1610	42	—	35	80	10	25	—	—
SPA118-02	2	118.0	123.5	8	1610	42	—	35	86	10	25	—	—
SPA125-02	2	125.0	130.5	8	1610	42	—	35	90	10	25	—	—
SPA132-02	2	132.0	137.5	8	2012	50	—	35	98	3	32	—	—
SPA140-02	2	140.0	145.5	8	2012	50	—	35	106	3	32	—	—
SPA150-02	2	150.0	155.5	8	2012	50	—	35	116	3	32	—	—
SPA160-02	2	160.0	165.5	8	2012	50	15	35	125	3	32	—	—
SPA170-02	2	170.0	175.5	8	2012	50	15	35	135	3	32	—	—
SPA180-02	2	180.0	185.5	6	2012	50	15	35	148	1.5	32	1.5	100
SPA190-02	2	190.0	195.5	6	2012	50	15	35	158	1.5	32	1.5	100
SPA200-02	2	200.0	205.5	7	2517	60	15	35	165	5	45	5	120
SPA224-02	2	224.0	229.5	7	2517	60	15	35	189	—	45	10	120
SPA250-02	2	250.0	255.5	7	2517	60	20	35	215	5	45	5	120
SPA280-02	2	280.0	285.5	7	2517	60	20	35	245	—	45	10	120
SPA315-02	2	315.0	320.5	4	2517	60	—	35	280	—	45	10	120
SPA355-02	2	355.0	360.5	4	2517	60	—	35	320	—	45	10	120
SPA400-02	2	400.0	405.5	4	2517	60	—	35	365	—	45	10	120
SPA500-02	2	500.0	505.5	4	2517	60	—	35	465	—	45	10	120
SPA560-02	2	560.0	565.5	4	3020	75	—	35	525	—	51	16	150
SPA630-02	2	630.0	635.5	4	3020	75	—	35	595	—	51	16	150

**Taper Bore V-pulleys**

**SPA-3**

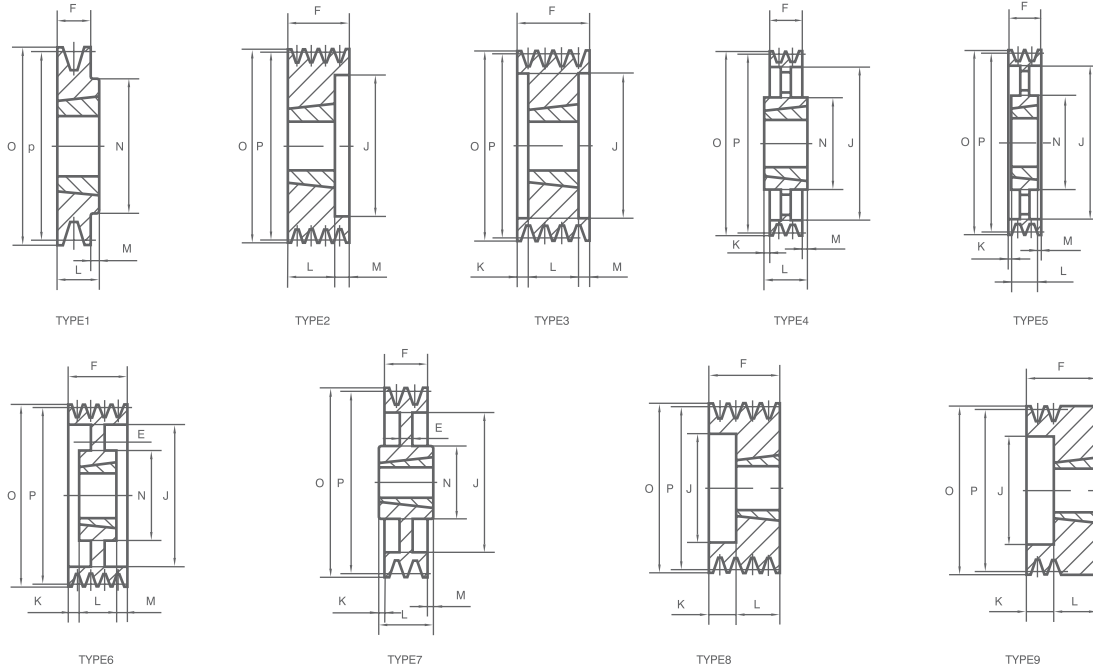


PART NO.	NO.OF GROOVES	P.D	O.D	TYPE	BUSH NO.	MAX BORE	E	F	J	K	L	M	N
SPA 71-03	3	71.0	76.5	8	1108	28	—	50	40	28	22	—	—
SPA 75-03	3	75.0	80.5	8	1108	32	—	50	44	28	22	—	—
SPA 80-03	3	80.0	85.5	8	1210	32	—	50	47	25	25	—	—
SPA 85-03	3	85.0	90.5	8	1210	32	—	50	50	25	25	—	—
SPA 90-03	3	90.0	95.5	8	1610	42	—	50	60	25	25	—	—
SPA 95-03	3	95.0	100.5	8	1610	42	—	50	64	25	25	—	—
SPA100-03	3	100.0	105.5	2	1610	42	—	50	70	—	25	25	—
SPA106-03	3	106.0	111.5	2	1610	42	—	50	76	—	25	25	—
SPA112-03	3	112.0	117.5	8	2012	50	—	50	83	18	32	—	—
SPA118-03	3	118.0	123.5	2	2012	50	—	50	86	—	32	18	—
SPA125-03	3	125.0	128.5	2	2012	50	—	50	92	—	32	18	—
SPA132-03	3	132.0	137.5	2	2012	50	—	50	98	—	32	18	—
SPA140-03	3	140.0	145.5	8	2517	60	—	50	106	5	45	—	—
SPA150-03	3	150.0	155.5	8	2517	60	—	50	116	5	45	—	—
SPA160-03	3	160.0	165.5	8	2517	60	—	50	126	5	45	—	—
SPA170-03	3	170.0	175.5	8	2517	60	—	50	138	5	45	—	—
SPA180-03	3	180.0	185.5	8	2517	60	—	50	146	5	45	—	—
SPA190-03	3	190.0	195.5	8	2517	60	—	50	158	5	45	—	—
SPA200-03	3	200.0	205.5	6	2517	60	20	50	165	2.5	45	2.5	120
SPA224-03	3	224.0	229.5	6	2517	60	20	50	189	2.5	45	2.5	120
SPA250-03	3	250.0	255.5	6	2517	60	20	50	215	2.5	45	2.5	120
SPA280-03	3	280.0	285.5	6	2517	60	20	50	245	2.5	45	2.5	120
SPA315-03	3	315.0	320.5	7	3020	75	25	50	280	0.5	51	0.5	150
SPA355-03	3	355.0	360.5	4	3020	75	—	50	320	0.5	51	0.5	160
SPA400-03	3	400.0	405.5	4	3020	75	—	50	365	0.5	51	0.5	150
SPA450-03	3	450.0	455.5	4	3020	75	—	50	415	0.5	51	0.5	150
SPA500-03	3	500.0	505.5	4	3020	75	—	50	465	0.5	51	0.5	150
SPA560-03	3	560.0	565.5	4	3020	75	—	50	525	0.5	51	0.5	150
SPA630-03	3	630.0	635.5	4	3020	75	—	50	595	0.5	51	0.5	150
SPA800-03	3	800.0	805.5	4	3535	90	—	50	765	19.5	89	19.5	170
SPA1000-03	3	1000.0	1005.5	4	3535	90	—	50	965	19.5	89	19.5	178



**T<sub>aper</sub>  
B<sub>ore</sub>** **V-pulleys**

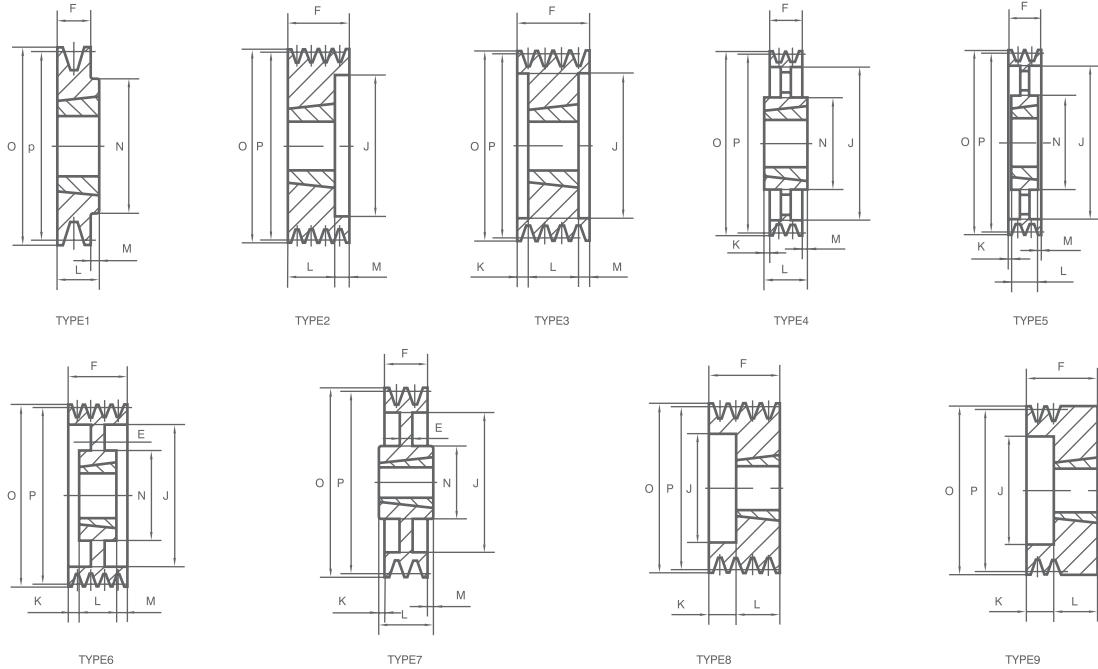
**SPA-4**



PART NO.	NO.OF GROOVES	P.D	O.D	TYPE	BUSH NO.	MAX BORE	E	F	J	K	L	M	N
SPA 90-04	4	90.0	95.5	3	1615	42	—	65	64	13.5	38	13.5	—
SPA 95-04	4	95.0	100.5	3	1615	42	—	65	64	13.5	38	13.5	—
SPA100-04	4	100.0	105.5	2	1615	42	—	65	70	-	38	27	—
SPA106-04	4	106.0	111.5	8	2012	50	—	65	76	33	32	—	—
SPA112-04	4	112.0	117.5	8	2012	50	—	65	80	33	32	—	—
SPA118-04	4	118.0	123.5	2	2012	50	—	65	86	—	32	33	—
SPA125-04	4	125.0	130.5	2	2012	50	—	65	92	—	32	33	—
SPA132-04	4	132.0	137.5	2	2517	60	—	65	98	—	45	20	—
SPA140-04	4	140.0	145.5	2	2517	60	—	65	106	—	45	20	—
SPA150-04	4	150.0	155.5	2	2517	60	—	65	116	—	45	20	—
SPA160-04	4	160.0	165.5	2	2517	60	—	65	126	—	45	20	—
SPA170-04	4	170.0	175.5	2	2517	60	—	65	138	—	45	20	—
SPA180-04	4	180.0	185.5	2	2517	60	—	65	146	—	45	20	—
SPA190-04	4	190.0	195.5	2	2517	60	—	65	158	—	45	20	—
SPA200-04	4	200.0	205.5	2	3020	75	—	65	165	—	51	14	—
SPA224-04	4	224.0	229.5	2	3020	75	—	65	189	—	51	14	—
SPA250-04	4	250.0	255.5	6	3020	75	10	65	215	7	51	7	150
SPA280-04	4	280.0	285.5	6	3020	75	10	65	245	7	51	7	150
SPA315-04	4	315.0	320.5	6	3020	75	10	65	280	7	51	7	150
SPA355-04	4	355.0	360.5	5	3020	75	—	65	320	7	51	7	150
SPA400-04	4	400.0	405.5	5	3020	75	—	65	365	7	51	7	150
SPA450-04	4	450.0	455.5	5	3020	75	—	65	415	7	51	7	150
SPA500-04	4	500.0	505.5	5	3020	75	—	65	465	7	51	7	150
SPA560-04	4	560.0	565.5	4	3535	90	—	65	525	12	89	12	170
SPA630-04	4	630.0	635.5	4	3535	90	—	65	595	12	89	12	170
SPA800-04	4	800.0	805.5	4	3535	90	—	65	765	12	89	12	170
SPA1000-04	4	1000.0	1005.5	4	4040	100	—	65	965	18.5	102	18.5	216

**T<sub>aper</sub>  
B<sub>ore</sub>** **V-pulleys**

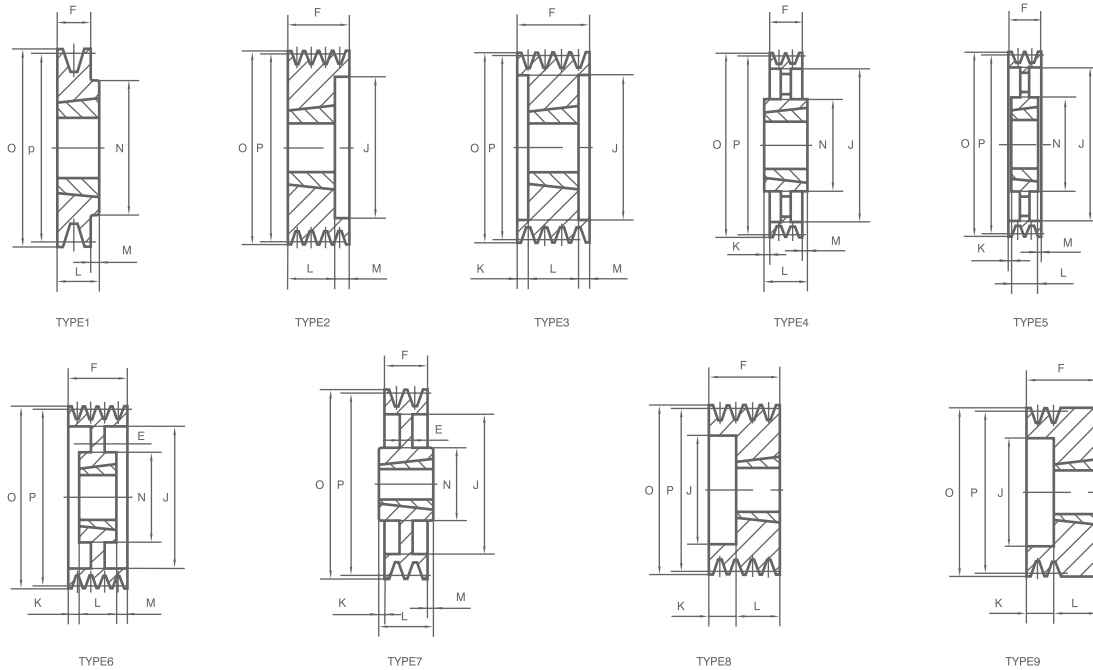
**SPA-5**



PART NO.	NO.OF GROOVES	P.D	O.D	TYPE	BUSH NO.	MAX BORE	E	F	J	K	L	M	N
SPA100-05	5	100.0	105.5	2	1615	42	—	80	70	—	38	42	—
SPA106-05	5	106.0	111.5	8	2012	50	—	80	76	48	32	—	—
SPA112-05	5	112.0	117.5	8	2012	50	—	80	80	48	32	—	—
SPA118-05	5	118.0	123.5	2	2012	50	—	80	86	—	32	48	—
SPA125-05	5	125.0	130.5	3	2012	50	—	80	92	24	32	24	—
SPA132-05	5	132.0	137.5	3	2517	60	—	80	98	17.5	45	17.5	—
SPA140-05	5	140.0	145.5	3	2517	60	—	80	106	17.5	45	17.5	—
SPA150-05	5	150.0	155.5	3	2517	60	—	80	116	17.5	45	17.5	—
SPA160-05	5	160.0	165.5	3	2517	60	—	80	126	17.5	45	17.5	—
SPA180-05	5	180.0	185.5	3	3020	75	—	80	146	14.5	51	14.5	—
SPA200-05	5	200.0	205.5	3	3020	75	—	80	165	14.5	51	14.5	—
SPA224-05	5	224.0	229.5	2	3020	75	—	80	189	—	51	29	—
SPA250-05	5	250.0	255.5	6	3020	75	10	80	215	14.5	51	14.5	150
SPA280-05	5	280.0	285.5	7	3535	90	10	80	245	4.5	89	4.5	170
SPA315-05	5	315.0	320.5	7	3535	90	12	80	280	4.5	89	4.5	170
SPA355-05	5	355.0	360.5	4	3535	90	—	80	320	4.5	89	4.5	170
SPA400-05	5	400.0	405.5	4	3535	90	—	80	365	4.5	89	4.5	170
SPA450-05	5	450.0	455.5	4	3535	90	—	80	415	4.5	89	4.5	170
SPA500-05	5	500.0	505.5	4	3535	90	—	80	465	4.5	89	4.5	170
SPA560-05	5	560.0	565.5	4	3535	90	—	80	525	4.5	89	4.5	170
SPA630-05	5	630.0	635.5	4	3535	90	—	80	595	4.5	89	4.5	170
SPA800-05	5	800.0	805.5	4	4040	100	—	80	765	11	102	11	216
SPA1000-05	5	1000.0	1005.5	4	4545	110	—	80	965	17	114	17	225

**T<sub>aper</sub>  
B<sub>ore</sub>** **V-pulleys**

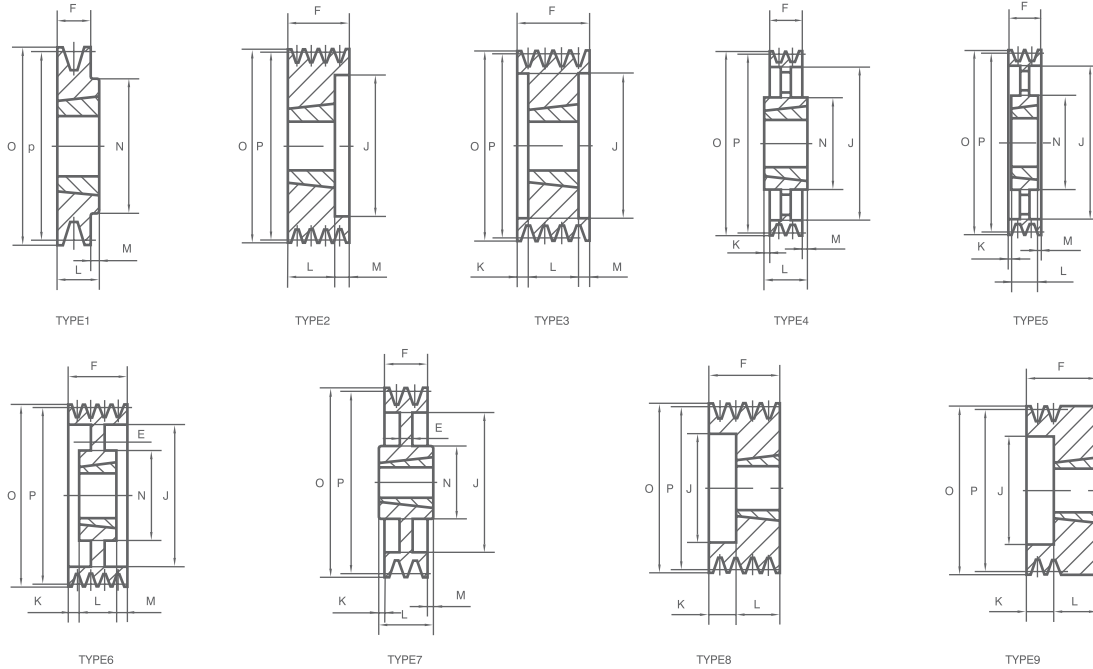
**SPA-6**



PART NO.	NO.OF GROOVES	R.D	O.D	TYPE	BUSH NO.	MAX BORE	E	F	J	K	L	M	N
SPA100-06	6	100.0	105.5	3	1615	42	—	95	70	28.5	38	28.5	—
SPA106-06	6	106.0	111.5	8	2012	50	—	95	76	63	32	—	—
SPA112-06	6	112.0	117.5	8	2012	50	—	95	80	63	32	—	—
SPA118-06	6	118.0	123.5	8	2012	50	—	95	86	63	32	—	—
SPA125-06	6	125.0	130.5	3	2012	50	—	95	92	31.5	32	31.5	—
SPA132-06	6	132.0	137.5	3	2517	60	—	95	98	25	45	25	—
SPA140-06	6	140.0	145.5	3	2517	60	—	95	106	25	45	25	—
SPA150-06	6	150.0	155.5	3	2517	60	—	95	116	25	45	25	—
SPA160-06	6	160.0	165.5	3	2517	60	—	95	126	25	45	25	—
SPA180-06	6	180.0	185.5	3	3020	75	—	95	146	22	51	22	—
SPA200-06	6	200.0	205.5	3	3020	75	—	95	165	22	51	22	—
SPA224-06	6	224.0	229.5	3	3020	75	—	95	189	22	51	22	—
SPA250-06	6	250.0	255.5	6	3020	75	20	95	215	22	51	22	150
SPA280-06	6	280.0	285.5	6	3535	90	25	95	245	3	89	3	170
SPA315-06	6	315.0	320.5	6	3535	90	25	95	280	3	89	3	170
SPA355-06	6	355.0	360.5	5	3535	90	—	95	320	3	89	3	170
SPA400-06	6	400.0	405.5	5	3535	90	—	95	365	3	89	3	170
SPA450-06	6	450.0	455.5	5	3535	90	—	95	415	3	89	3	170
SPA500-06	6	500.0	505.5	5	3535	90	—	95	465	3	89	3	170
SPA560-06	6	560.0	565.5	5	3535	90	—	95	525	3	89	3	170
SPA630-06	6	630.0	635.5	4	4040	100	—	95	595	3.5	102	3.5	216
SPA800-06	6	800.0	805.5	4	4040	100	—	95	765	3.5	102	3.5	216
SPA1000-06	6	1000.0	1005.5	4	4545	110	—	95	965	9.5	114	9.5	225

**T<sub>aper</sub>  
B<sub>ore</sub>** **V-pulleys**

**SPB-1**



PART NO.	NO.OF GROOVES	P.D	O.D	TYPE	BUSH NO.	MAX BORE	E	F	J	K	L	M	N
SPB100-01	1	100.0	107.0	1	1610	42	—	25	—	—	25	—	—
SPB112-01	1	112.0	119.0	1	1610	42	—	25	—	—	25	—	—
SPB118-01	1	118.0	125.0	1	1610	42	—	25	—	—	25	—	—
SPB125-01	1	125.0	132.0	1	1610	42	—	25	—	—	25	—	—
SPB132-01	1	132.0	139.0	1	1610	42	—	25	—	—	25	—	—
SPB140-01	1	140.0	147.0	1	1610	42	—	25	—	—	25	—	—
SPB150-01	1	150.0	157.0	1	1610	42	—	25	—	—	25	—	—
SPB160-01	1	160.0	167.0	1	1610	42	—	25	—	—	25	—	—
SPB170-01	1	170.0	177.0	1	1610	42	—	25	—	—	25	—	—
SPB180-01	1	180.0	187.0	6	1610	42	10	25	137	—	25	—	80
SPB190-01	1	190.0	197.0	7	2012	50	10	25	147	3.5	32	3.5	100
SPB200-01	1	200.0	207.0	7	2012	50	10	25	157	3.5	32	3.5	100
SPB212-01	1	212.0	219.0	7	2012	50	10	25	169	3.5	32	3.5	100
SPB224-01	1	224.0	231.0	7	2012	50	10	25	181	3.5	32	3.5	100
SPB236-01	1	236.0	243.0	7	2012	50	10	25	193	3.5	32	3.5	100
SPB250-01	1	250.0	257.0	7	2012	50	10	25	207	3.5	32	3.5	100
SPB280-01	1	280.0	287.0	7	2012	50	10	25	237	3.5	32	3.5	100
SPB315-01	1	315.0	322.0	7	2012	50	10	25	272	3.5	32	3.5	100

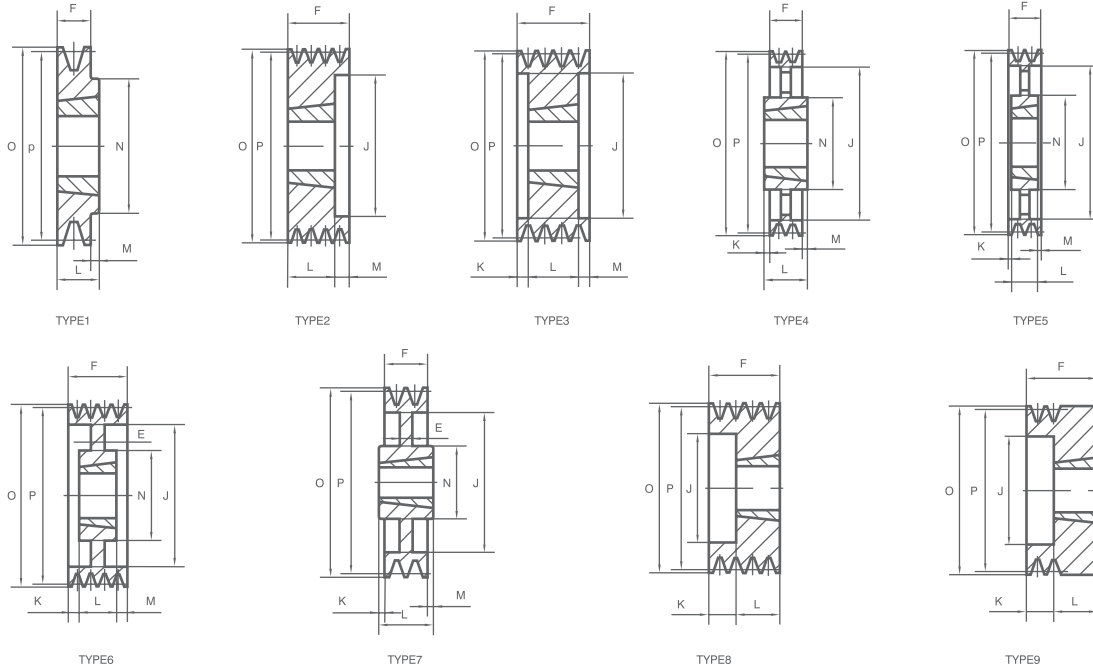
Standard bore dimensions of BTL bushings

Bushing	Stock Bores																						
	11	12	14	16	18	19	20	22	24	25	28	30	32	35	38	40	42	45	48	50	55	60	
1210	●	●	●	●	●	●	●	●	●	●	●	●	●										
1610			●	●	●	●	●	●	●	●	●	●	●	●	●	●	△						
2012					●	●	●	●	●	●	●	●	●	●	●	●	●	●	●	●			
2517						●	●	●	●	●	●	●	●	●	●	●	●	●	●	●	●	●	●

△ shallow keyway

**Taper Bore V-pulleys**

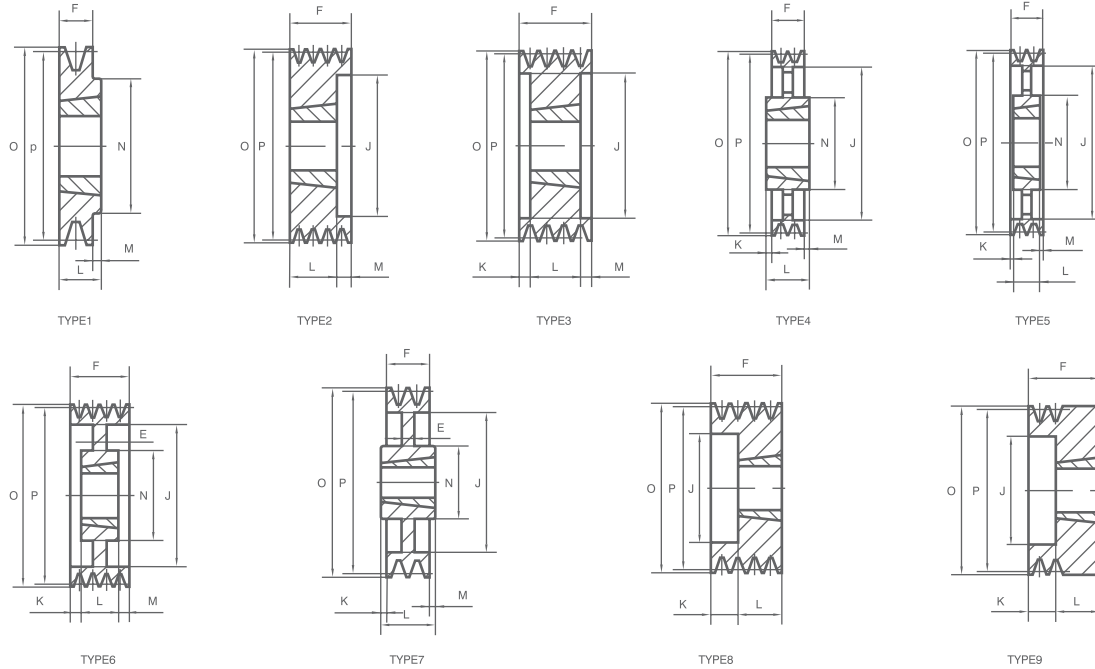
**SPB-2**



PART NO.	NO.OF GROOVES	R.D	O.D	TYPE	BUSH NO.	MAX BORE	E	F	J	K	L	M	N
SPB100-02	2	100.0	107.0	8	1610	42	—	44	62	—	25	19	—
SPB112-02	2	112.0	119.0	2	1610	42	—	44	72	—	25	19	—
SPB118-02	2	118.0	127.0	2	1610	42	—	44	78	—	25	19	—
SPB125-02	2	125.0	132.0	2	2012	50	—	44	82	—	32	12	—
SPB132-02	2	132.0	139.0	2	2012	50	—	44	89	—	32	12	—
SPB140-02	2	140.0	147.0	2	2012	50	—	44	97	—	32	12	—
SPB150-02	2	150.0	157.0	2	2012	50	—	44	107	—	32	12	—
SPB160-02	2	160.0	167.0	2	2012	50	—	44	117	—	32	12	—
SPB170-02	2	170.0	177.0	2	2012	50	—	44	127	—	32	12	—
SPB180-02	2	180.0	187.0	1	2517	60	—	44	—	—	45	1	120
SPB190-02	2	190.0	197.0	1	2517	60	—	44	—	—	45	1	120
SPB200-02	2	200.0	207.0	1	2517	60	—	44	—	—	45	1	120
SPB212-02	2	212.0	219.0	7	2517	60	10	44	169	—	45	1	120
SPB224-02	2	224.0	231.0	7	2517	60	10	44	181	1	45	—	120
SPB236-02	2	236.0	243.0	7	2517	60	10	44	193	1	45	—	120
SPB250-02	2	250.0	257.0	7	2517	60	10	44	207	1	45	—	120
SPB280-02	2	280.0	287.0	7	2517	60	12	44	237	1	45	—	120
SPB300-02	2	300.0	307.0	7	2517	60	12	44	257	1	45	—	120
SPB315-02	2	315.0	322.0	7	2517	60	12	44	272	1	45	—	120
SPB335-02	2	335.0	342	7	2517	60	12	44	292	1	45	—	120
SPB355-02	2	355.0	362.0	4	3020	75		44	312	3.5	51	3.5	150
SPB400-02	2	400.0	407.0	4	3020	75		44	357	3.5	51	3.5	150
SPB450-02	2	450.0	457.0	4	3020	75		44	407	3.5	51	3.5	150
SPB500-02	2	500.0	507.0	4	3020	75		44	457	3.5	51	3.5	150
SPB560-02	2	560.0	567.0	4	3030	75		44	517	4	76	28	150
SPB630-02	2	630.0	637.0	4	3030	75		44	587	4	76	28	150

**T<sub>aper</sub>  
B<sub>ore</sub>** **V-pulleys**

**SPB-3**

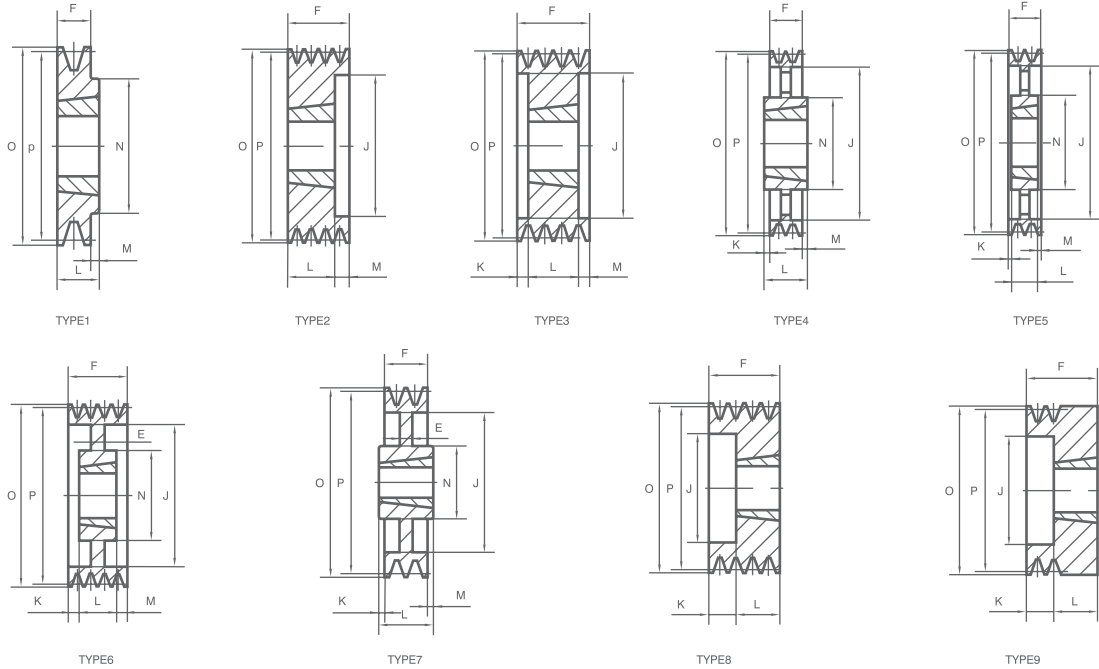


PART NO.	NO.OF GROOVES	P.D	O.D	TYPE	BUSH NO.	MAX BORE	E	F	J	K	L	M	N
SPB100-03	3	100.0	107.0	8	1610	42	—	63	57	—	25	38	—
SPB112-03	3	112.0	119.0	2	1610	42	—	63	72	—	25	38	—
SPB118-03	3	118.0	125.0	2	1610	42	—	63	78	—	25	38	—
SPB125-03	3	125.0	132.0	2	2012	50	—	63	82	—	32	31	—
SPB132-03	3	132.0	139.0	2	2012	50	—	63	89	—	32	31	—
SPB140-03	3	140.0	147.0	2	2012	50	—	63	97	—	32	31	—
SPB150-03	3	150.0	157.0	2	2517	60	—	63	107	—	45	18	—
SPB160-03	3	160.0	167.0	2	2517	60	—	63	117	—	45	18	—
SPB170-03	3	170.0	177.0	2	2517	60	—	63	127	—	45	18	—
SPB180-03	3	180.0	187.0	2	2517	60	—	63	137	—	45	18	—
SPB190-03	3	190.0	197.0	2	2517	60	—	63	147	—	45	18	—
SPB200-03	3	200.0	207.0	2	2517	60	—	63	157	—	45	18	—
SPB212-03	3	212.0	219.0	6	2517	60	12	63	169	—	45	18	120
SPB224-03	3	224.0	231.0	6	2517	60	12	63	181	—	45	18	120
SPB236-03	3	236.0	243.0	6	2517	60	10	63	193	—	45	18	120
SPB250-03	3	250.0	257.0	6	3020	75	12	63	207	—	51	12	150
SPB280-03	3	280.0	287.0	6	3020	75	13	63	237	6	51	6	150
SPB300-03	3	300.0	307.0	6	3020	75	13	63	257	6	51	6	150
SPB315-03	3	315.0	322.0	6	3020	75	13	63	272	6	51	6	150
SPB335-03	3	335.0	342.0	6	3020	75	13	63	292	6	51	6	150
SPB355-03	3	355.0	362.0	5	3020	75	—	63	312	6	51	6	150
SPB400-03	3	400.0	407.0	4	3535	90	—	63	357	13	89	13	170
SPB450-03	3	450.0	457.0	4	3535	90	—	63	407	—	89	26	170
SPB500-03	3	500.0	507.0	4	3535	90	—	63	457	—	89	26	170
SPB560-03	3	560.0	567.0	4	3535	90	—	63	517	—	89	26	170
SPB630-03	3	630.0	637.0	4	3535	90	—	63	587	—	89	26	170
SPB710-03	3	710.0	717.0	4	3535	90	—	63	664	4	89	22	170
SPB800-03	3	800.0	807.0	4	3535	90	—	63	754	4	89	22	170
SPB900-03	3	900.0	907.0	4	3535	90	—	63	854	4	89	22	170
SPB1000-03	3	1000.0	1007.0	4	4040	100	—	63	954	6	102	33	200
SPB1250-03	3	1250.0	1257.0	4	4040	100	—	63	1204	6	102	33	200



**Taper Bore V-pulleys**

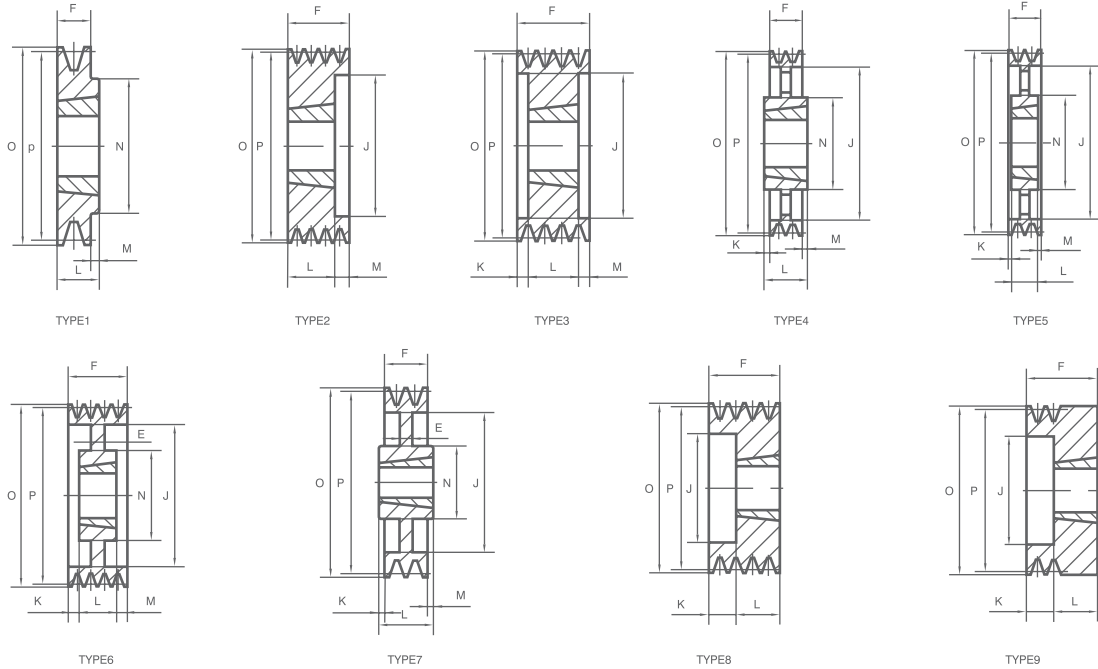
**SPB-4**



PART NO.	NO.OF GROOVES	P.D	O.D	TYPE	BUSH NO.	MAX BORE	E	F	J	K	L	M	N
SPB125-04	4	125.0	132.0	3	2012	50	—	82	82	25	32	25	—
SPB132-04	4	132.0	139.0	3	2012	50	—	82	89	25	32	25	—
SPB140-04	4	140.0	147.0	3	2517	60	—	82	97	18.5	45	18.5	—
SPB150-04	4	150.0	157.0	3	2517	60	—	82	107	18.5	45	18.5	—
SPB160-04	4	160.0	167.0	3	2517	60	—	82	117	18.5	45	18.5	—
SPB170-04	4	170.0	177.0	3	2517	60	—	82	127	18.5	45	18.5	—
SPB180-04	4	180.0	187.0	3	2517	60	—	82	137	18.5	45	18.5	—
SPB190-04	4	190.0	197.0	3	2517	60	—	82	147	18.5	45	18.5	—
SPB200-04	4	200.0	207.0	3	3020	75	—	82	157	15.5	51	15.5	—
SPB212-04	4	212.0	219.0	3	3020	75	—	82	169	15.5	51	15.5	—
SPB224-04	4	224.0	231.0	3	3020	75	—	82	181	15.5	51	15.5	—
SPB236-04	4	236.0	243.0	3	3020	75	—	82	193	15.5	51	15.5	—
SPB250-04	4	250.0	257.0	6	3020	75	14	82	207	15.5	51	15.5	150
SPB280-04	4	280.0	287.0	6	3020	75	16	82	237	15.5	51	15.5	150
SPB300-04	4	300.0	307.0	6	3020	75	16	82	257	15.5	51	15.5	150
SPB315-04	4	315.0	322.0	7	3535	90	16	82	272	3.5	89	3.5	170
SPB335-04	4	335.0	342.0	7	3535	90	16	82	292	3.5	89	3.5	170
SPB355-04	4	355.0	362.0	7	3535	90	16	82	312	3.5	89	3.5	170
SPB400-04	4	400.0	407.0	4	3535	90	—	82	357	3.5	89	3.5	170
SPB450-04	4	450.0	457.0	4	3535	90	—	82	407	—	89	7	170
SPB500-04	4	500.0	507.0	4	3535	90	—	82	457	—	89	7	170
SPB560-04	4	560.0	567.0	4	3535	90	—	82	517	—	89	7	170
SPB630-04	4	630.0	637.0	4	3535	90	—	82	587	—	89	7	170
SPB710-04	4	710.0	717.0	4	3535	90	—	82	664	3.5	89	3.5	187
SPB800-04	4	800.0	807.0	4	4040	100	—	82	754	4	102	16	200
SPB900-04	4	900.0	907.0	4	4040	100	—	82	854	4	102	16	216
SPB1000-04	4	1000.0	1007.0	4	4040	100	—	82	954	4	102	16	216
SPB1250-04	4	1250.0	1257.0	4	4545	110	—	82	1204	6	114	26	225

**Taper Bore V-pulleys**

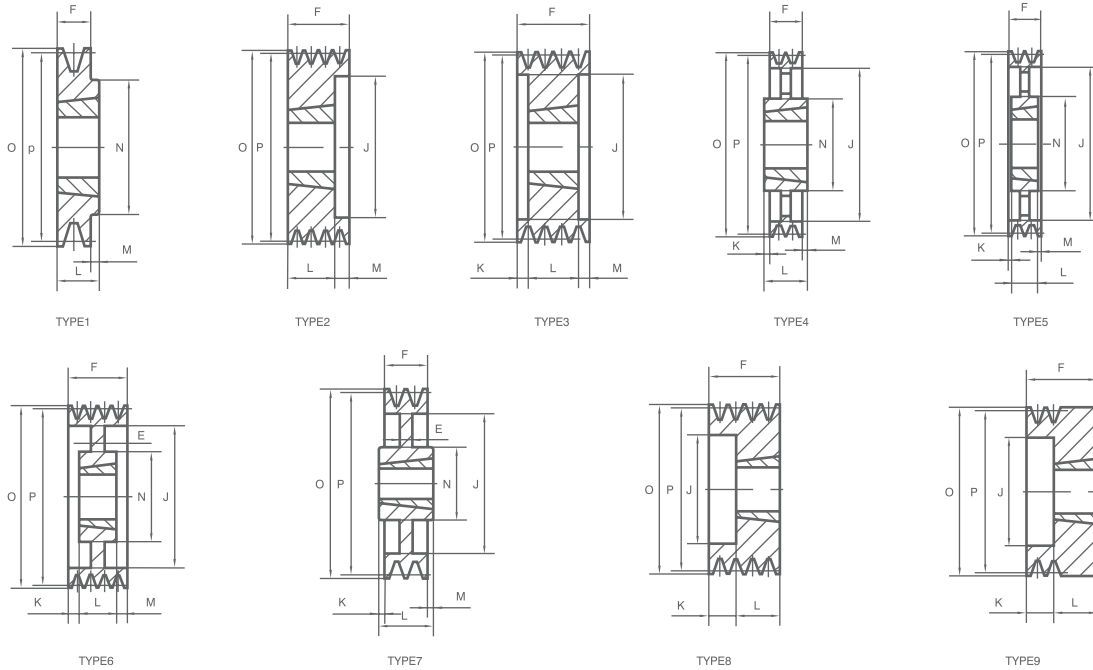
**SPB-5**



PART NO.	NO.OF GROOVES	P.D	O.D	TYPE	BUSH NO.	MAX BORE	E	F	J	K	L	M	N
SPB125-05	5	125.0	132.0	8	2012	50	—	101	82	69	32	—	—
SPB132-05	5	132.0	139.0	8	2517	60	—	101	89	56	45	—	—
SPB140-05	5	140.0	147.0	3	2517	60	—	101	97	28	45	28	—
SPB150-05	5	150.0	157.0	3	2517	60	—	101	107	28	45	28	—
SPB160-05	5	160.0	167.0	3	2517	60	—	101	117	28	45	28	—
SPB170-05	5	170.0	177.0	3	3020	75	—	101	127	25	51	25	—
SPB180-05	5	180.0	187.0	3	3020	75	—	101	137	25	51	25	—
SPB190-05	5	190.0	197.0	3	3020	75	—	101	147	25	51	25	—
SPB200-05	5	200.0	207.0	3	3020	75	—	101	157	25	51	25	—
SPB212-05	5	212.0	219.0	3	3020	75	—	101	169	25	51	25	—
SPB224-05	5	224.0	231.0	3	3020	75	—	101	181	25	51	25	—
SPB236-05	5	236.0	243.0	3	3535	90	—	101	193	6	89	6	—
SPB250-05	5	250.0	257.0	3	3535	90	—	101	207	6	89	6	—
SPB280-05	5	280.0	287.0	6	3535	90	18	101	237	6	89	6	170
SPB300-05	5	300.0	307.0	6	3535	90	18	101	257	6	89	6	170
SPB315-05	5	315.0	322.0	6	3535	90	18	101	272	6	89	6	170
SPB335-05	5	335.0	342.0	6	3535	90	16	101	292	6	89	6	170
SPB355-05	5	355.0	362.0	5	3535	90	—	101	312	6	89	6	170
SPB400-05	5	400.0	407.0	5	3535	90	—	101	357	6	89	6	170
SPB450-05	5	450.0	457.0	5	3535	90	—	101	407	—	89	12	170
SPB500-05	5	500.0	507.0	5	3535	90	—	101	457	—	89	12	170
SPB560-05	5	560.0	567.0	4	4040	100	—	101	517	—	102	1	200
SPB630-05	5	630.0	637.0	4	4040	100	—	101	587	—	102	1	200
SPB710-05	5	710.0	717.0	4	4040	100	—	101	664	0.5	102	0.5	200
SPB800-05	5	800.0	807.0	4	4040	100	—	101	754	0.5	102	0.5	200
SPB900-05	5	900.0	907.0	4	4545	110	—	101	854	6.5	114	6.5	225
SPB1000-05	5	1000.0	1007.0	4	4545	110	—	101	954	6.5	114	6.5	225
SPB1250-05	5	1250.0	1257.0	4	4545	110	—	101	1204	6.5	114	6.5	225

**T<sub>aper</sub>  
B<sub>ore</sub>** **V-pulleys**

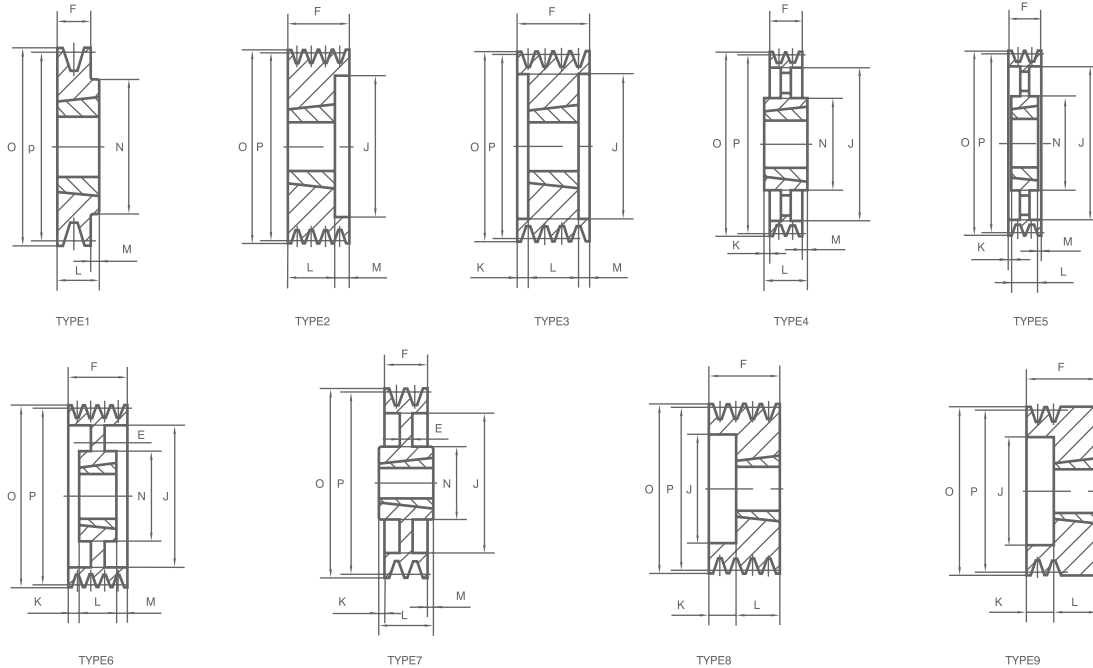
**SPB-6**



PART NO.	NO.OF GROOVES	R.D	O.D	TYPE	BUSH NO.	MAX BORE	E	F	J	K	L	M	N
SPB140-06	6	140.0	147.0	3	2517	60	—	120	97	37.5	45	37.5	—
SPB150-06	6	150.0	157.0	3	2517	60	—	120	107	37.5	45	37.5	—
SPB160-06	6	160.0	167.0	3	3020	75	—	120	117	34.5	51	34.5	—
SPB170-06	6	170.0	177.0	3	3020	75	—	120	127	34.5	51	34.5	—
SPB180-06	6	180.0	187.0	3	3020	75	—	120	137	34.5	51	34.5	—
SPB190-06	6	190.0	197.0	3	3020	75	—	120	147	34.5	51	34.5	—
SPB200-06	6	200.0	207.0	3	3020	75	—	120	157	34.5	51	34.5	—
SPB212-06	6	212.0	219.0	3	3535	90	—	120	169	15.5	89	15.5	—
SPB224-06	6	224.0	231.0	3	3535	90	—	120	181	15.5	89	15.5	—
SPB236-06	6	236.0	243.0	3	3535	90	—	120	193	15.5	89	15.5	—
SPB250-06	6	250.0	257.0	3	3535	90	—	120	207	15.5	89	15.5	—
SPB280-06	6	280.0	287.0	6	3535	90	18	120	237	15.5	89	15.5	170
SPB300-06	6	300.0	307.0	6	3535	90	18	120	257	15.5	89	15.5	170
SPB315-06	6	315.0	322.0	6	3535	90	18	120	272	15.5	89	15.5	170
SPB335-06	6	335.0	342.0	6	3535	90	18	120	292	15.5	89	15.5	170
SPB355-06	6	355.0	362.0	6	3535	90	18	120	312	15.5	89	15.5	170
SPB400-06	6	400.0	407.0	5	3535	90	—	120	357	15.5	89	15.5	170
SPB450-06	6	450.0	457.0	5	4040	100	—	120	407	—	102	18	200
SPB500-06	6	500.0	507.0	5	4040	100	—	120	457	—	102	18	200
SPB560-06	6	560.0	567.0	5	4040	100	—	120	517	—	102	18	200
SPB630-06	6	630.0	637.0	5	4040	100	—	120	587	—	102	18	200
SPB710-06	6	710.0	717.0	5	4040	100	—	120	664	9	102	9	216
SPB800-06	6	800.0	807.0	5	4545	110	—	120	754	3	114	3	225
SPB900-06	6	900.0	907.0	5	4545	110	—	120	854	3	114	3	225
SPB1000-06	6	1000.0	1007.0	5	4545	110	—	120	954	3	114	3	225
SPB1250-06	6	1250.0	1257.0	4	5050	125	—	120	1204	3.5	127	3.5	245

**Taper Bore V-pulleys**

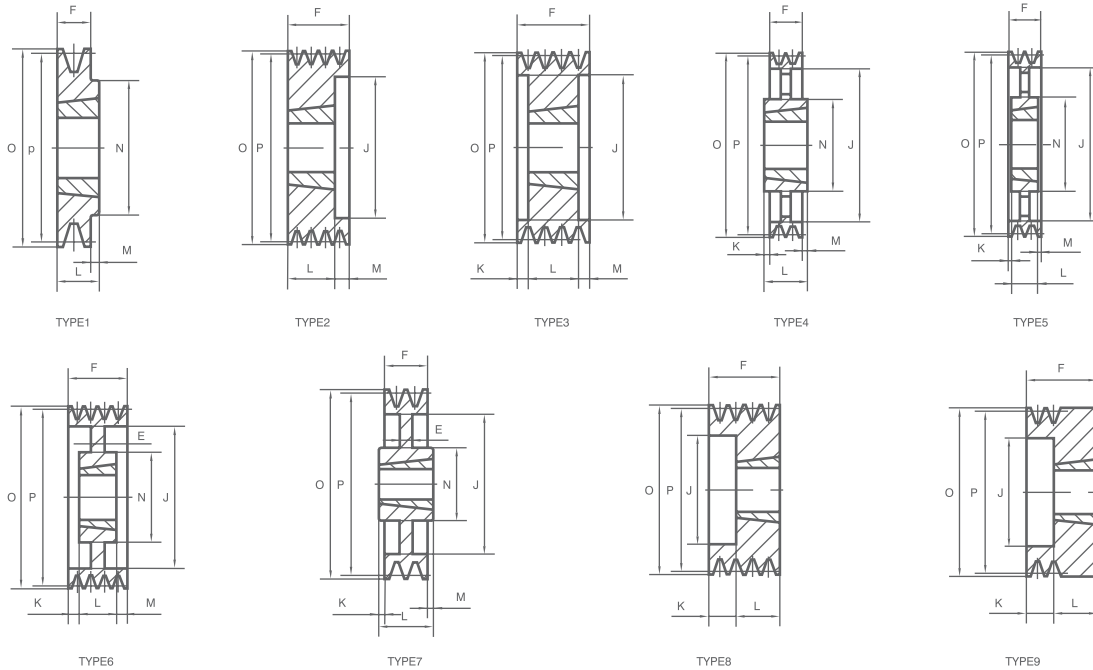
**SPB-8**



PART NO.	NO.OF GROOVES	P.D	O.D	TYPE	BUSH NO.	MAX BORE	E	F	J	K	L	M	N
SPB160-08	8	160.0	167.0	3	3020	75	—	158	117	53.5	51	53.5	—
SPB170-08	8	170.0	177.0	3	3030	75	—	158	127	41	76	41	—
SPB180-08	8	180.0	187.0	3	3030	75	—	158	137	41	76	41	—
SPB190-08	8	190.0	197.0	3	3030	75	—	158	147	41	76	41	—
SPB200-08	8	200.0	207.0	3	3535	90	—	158	157	34.5	89	34.5	—
SPB212-08	8	212.0	219.0	3	3535	90	—	158	169	34.5	89	34.5	—
SPB224-08	8	224.0	231.0	3	3535	90	—	158	181	34.5	89	34.5	—
SPB236-08	8	236.0	243.0	3	3535	90	—	158	193	34.5	89	34.5	—
SPB250-08	8	250.0	257.0	3	3535	90	—	158	207	34.5	89	34.5	—
SPB280-08	8	280.0	287.0	3	3535	90	—	158	237	34.5	89	34.5	—
SPB300-08	8	300.0	307.0	6	3535	90	20	158	257	34.5	89	34.5	170
SPB315-08	8	315.0	322.0	6	3535	90	18	158	272	34.5	89	34.5	170
SPB335-08	8	335.0	342.0	6	3535	90	18	158	292	34.5	89	34.5	170
SPB355-08	8	355.0	362.0	6	3535	90	18	158	312	34.5	89	34.5	170
SPB400-08	8	400.0	407.0	5	4040	100	—	158	357	28	102	28	200
SPB450-08	8	450.0	457.0	5	4040	100	—	158	407	28	102	28	200
SPB500-08	8	500.0	507.0	5	4040	100	—	158	457	28	102	28	200
SPB560-08	8	560.0	567.0	5	4545	110	—	158	517	22	114	22	225
SPB630-08	8	630.0	637.0	5	4545	110	—	158	587	22	114	22	225
SPB710-08	8	710.0	717.0	5	4545	110	—	158	664	22	114	22	225
SPB800-08	8	800.0	807.0	5	4545	110	—	158	754	22	114	22	225
SPB900-08	8	900.0	907.0	5	4545	110	—	158	854	22	114	22	225
SPB1000-08	8	1000.0	1007.0	5	5050	125	—	158	954	15.5	127	15.5	245
SPB1250-08	8	1250.0	1257.0	5	5050	125	—	158	1204	15.5	127	15.5	245

**T<sub>aper</sub>  
B<sub>ore</sub>** **V-pulleys**

**SPB-10**



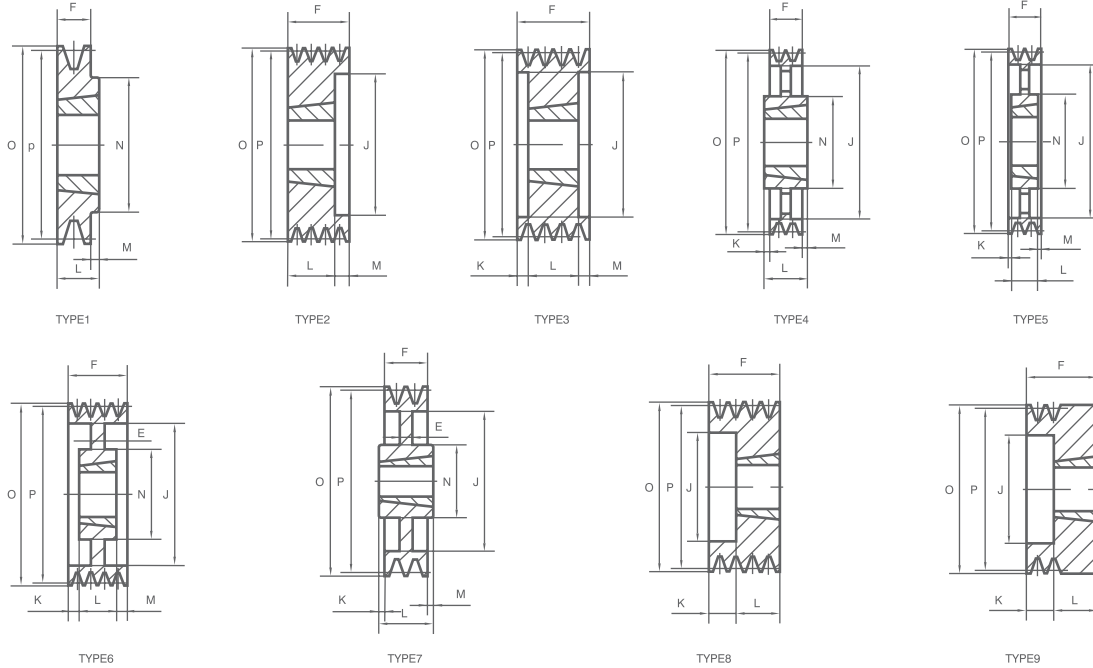
PART NO.	NO.OF GROOVES	P.D	O.D	TYPE	BUSH NO.	MAX BORE	E	F	J	K	L	M	N
SPB224-10	10	224.0	231.0	3	3535	90	—	196	181	53.5	89	53.5	—
SPB236-10	10	236.0	243.0	3	3535	90	—	196	193	53.5	89	53.5	—
SPB250-10	10	250.0	257.0	3	3535	90	—	196	207	53.5	89	53.5	—
SPB280-10	10	280.0	287.0	3	3535	90	—	196	237	53.5	89	53.5	—
SPB315-10	10	315.0	322.0	6	3535	90	18	196	272	53.5	89	53.5	170
SPB335-10	10	335.0	342.0	6	4040	100	20	196	292	47	102	47	200
SPB355-10	10	355.0	362.0	6	4040	100	20	196	312	47	102	47	200
SPB400-10	10	400.0	407.0	5	4040	100	—	196	357	47	102	47	200
SPB450-10	10	450.0	457.0	5	4545	110	—	196	407	41	114	41	225
SPB500-10	10	500.0	507.0	5	4545	110	—	196	457	41	114	41	225
SPB560-10	10	560.0	567.0	5	4545	110	—	196	517	41	114	41	225
SPB630-10	10	630.0	637.0	5	4545	110	—	196	587	41	114	41	225
SPB710-10	10	710.0	717.0	5	4545	110	—	196	664	41	114	41	225
SPB800-10	10	800.0	807.0	5	4545	110	—	196	754	41	114	41	225
SPB900-10	10	900.0	907.0	5	5050	125	—	196	854	34.5	127	34.5	245
SPB1000-10	10	1000.0	1007.0	5	5050	125	—	196	954	34.5	127	34.5	245

Standard bore dimensions of BTL bushings

Bushing	Stock Bores																									
	25	28	30	32	35	38	40	42	45	48	50	55	60	65	70	75	80	85	90	95	100	105	115	120	125	
3030	●	●	●	●	●	●	●	●	●	●	●	●	●	●	●	●										
3535					●	●	●	●	●	●	●	●	●	●	●	●	●	●	●							
4040						●	●	●	●	●	●	●	●	●	●	●	●	●	●	●	●					
5050												●	●	●	●	●	●	●	●	●	●	●	●	●	●	●

**Taper Bore V-pulleys**

**SPC-3**

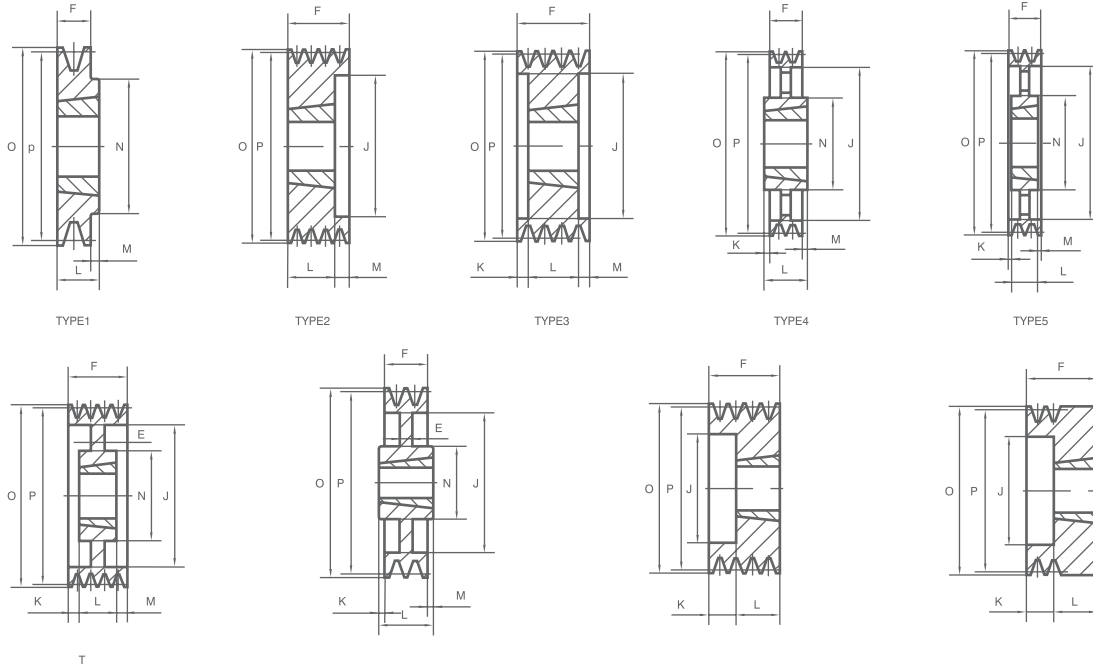


PART NO.	NO.OF GROOVES	P.D	O.D	TYPE	BUSH NO.	MAX BORE	E	F	J	K	L	M	N
SPC200-03	3	200.0	209.6	3	2517	60	—	85	150	20	45	20	—
SPC212-03	3	212.0	221.6	3	3020	75	—	85	162	17	51	17	—
SPC224-03	3	224.0	233.6	3	3020	75	—	85	173	17	51	17	—
SPC236-03	3	236.0	245.6	3	3020	75	—	85	185	17	51	17	—
SPC250-03	3	250.0	259.6	3	3020	75	—	85	200	17	51	17	—
SPC265-03	3	265.0	274.6	1	3535	90	—	85	209	—	89	4	170
SPC280-03	3	280.0	289.6	1	3535	90	—	85	224	—	89	4	170
SPC300-03	3	300.0	309.6	7	3535	90	18	85	249	2	89	2	170
SPC315-03	3	315.0	324.6	7	3535	90	18	85	264	2	89	2	170
SPC335-03	3	335.0	345.0	7	3535	90	18	85	284	2	89	2	170
SPC355-03	3	355.0	365.0	7	3535	90	18	85	304	2	89	2	170
SPC375-03	3	375.0	384.6	7	3535	90	20	85	324	2	89	2	170
SPC400-03	3	400.0	409.6	4	3535	90	—	85	344	2	89	2	170
SPC425-03	3	425.0	434.6	4	3535	90	—	85	369	2	89	2	170
SPC450-03	3	450.0	459.6	4	3535	90	—	85	394	2	89	2	170
SPC475-03	3	475.0	484.6	4	3535	90	—	85	419	2	89	2	170
SPC500-03	3	500.0	509.6	4	3535	90	—	85	444	2	89	2	170
SPC530-03	3	530.0	539.6	4	3535	90	—	85	474	2	89	2	170
SPC560-03	3	560.0	569.6	4	3535	90	—	85	504	2	89	2	170
SPC630-03	3	630.0	639.6	4	4040	100	—	85	574	8.5	102	8.5	200
SPC800-03	3	800.0	809.6	4	4545	110	—	85	737	4	114	25	225
SPC1000-03	3	1000.0	1009.6	4	5050	125	—	85	937	8	127	34	245
SPC1250-03	3	1250.0	1259.6	4	5050	125	—	85	1187	8	127	34	245



**Taper Bore V-pulleys**

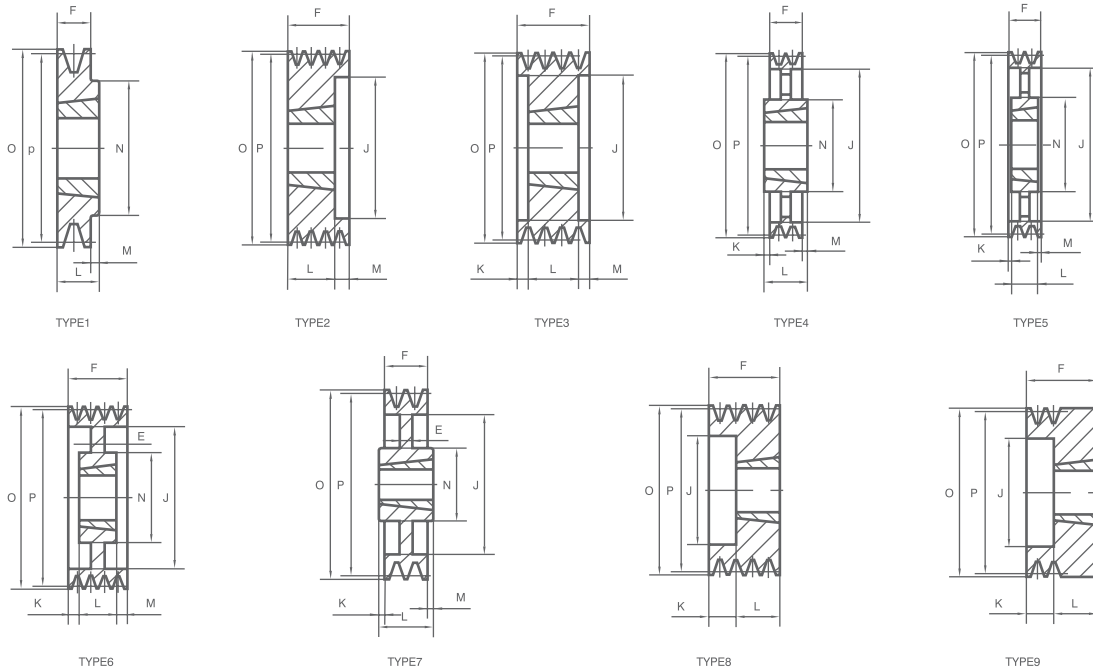
**SPC-4**



PART NO.	NO.OF GROOVES	P.D	O.D	TYPE	BUSH NO.	MAX BORE	E	F	J	K	L	M	N
SPC200-04	4	200.0	209.6	3	3020	75	—	111	144	30	51	30	—
SPC212-04	4	212.0	221.6	3	3020	75	—	111	156	30	51	30	—
SPC224-04	4	224.0	233.6	3	3535	90	—	111	168	11	89	11	—
SPC236-04	4	236.0	245.6	3	3535	90	—	111	180	11	89	11	—
SPC250-04	4	250.0	259.6	3	3535	90	—	111	194	11	89	11	—
SPC265-04	4	265.0	274.6	3	3535	90	—	111	209	11	89	11	—
SPC280-04	4	280.0	289.6	3	3535	90	—	111	224	11	89	11	—
SPC300-04	4	300.0	309.6	6	3535	90	20	111	244	11	89	11	170
SPC315-04	4	315.0	324.6	6	3535	90	20	111	259	11	89	11	170
SPC335-04	4	335.0	344.6	6	3535	90	20	111	279	11	89	11	170
SPC355-04	4	355.0	365.0	6	3535	90	20	111	299	11	89	11	170
SPC375-04	4	375.0	384.6	6	3535	90	25	111	319	11	89	11	170
SPC400-04	4	400.0	409.6	5	3535	90	—	111	344	11	89	11	170
SPC425-04	4	425.0	434.6	5	3535	90	—	111	369	11	89	11	170
SPC450-04	4	450.0	459.6	5	3535	90	—	111	394	11	89	11	170
SPC475-04	4	475.0	484.6	5	3535	90	—	111	419	11	89	11	170
SPC500-04	4	500.0	509.6	5	3535	90	—	111	444	11	89	11	170
SPC530-04	4	530.0	539.6	5	3535	90	—	111	474	11	89	11	170
SPC560-04	4	560.0	569.6	5	4040	100	—	111	504	4.5	102	4.5	200
SPC630-04	4	630.0	639.6	4	4545	110	—	111	574	1.5	114	1.5	225
SPC800-04	4	800.0	809.6	4	5050	125	—	111	737	4	127	12	245
SPC1000-04	4	1000.0	1009.6	4	5050	125	—	111	937	1	127	12	245
SPC1250-04	4	1250.0	1259.6	4	5050	125	—	111	1187	4	127	12	245

**Taper Bore V-pulleys**

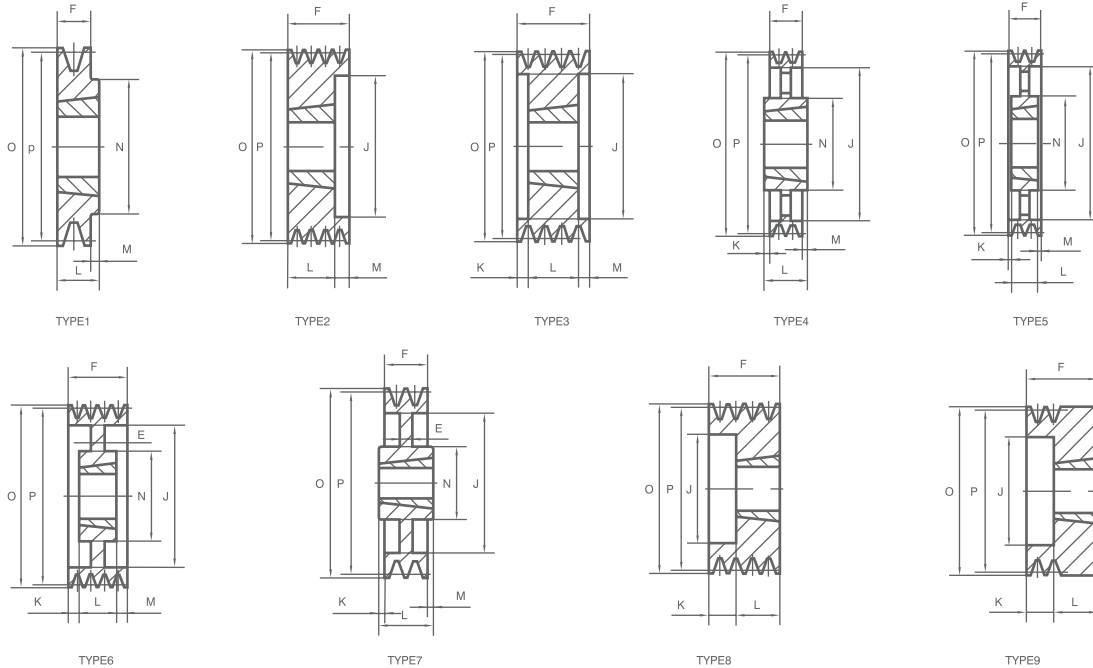
**SPC-5**



PART NO.	NO.OF GROOVES	P.D	O.D	TYPE	BUSH NO.	MAX BORE	E	F	J	K	L	M	N
SPC200-05	5	200.0	209.6	3	3535	90	—	136	150	23.5	89	23.5	—
SPC212-05	5	212.0	221.6	3	3535	90	—	136	160	23.5	89	23.5	—
SPC224-05	5	224.0	233.6	3	3535	90	—	136	173	23.5	89	23.5	—
SPC236-05	5	236.0	245.6	3	3535	90	—	136	185	23.5	89	23.5	—
SPC250-05	5	250.0	259.6	3	3535	90	—	136	198	23.5	89	23.5	—
SPC265-05	5	265.0	274.6	3	3535	90	—	136	213	23.5	89	23.5	—
SPC280-05	5	280.0	289.6	3	3535	90	—	136	228	23.5	89	23.5	—
SPC300-05	5	300.0	309.6	6	3535	90	20	136	247	23.5	89	23.5	170
SPC315-05	5	315.0	324.6	6	3535	90	20	136	264	23.5	89	23.5	170
SPC335-05	5	335.0	344.6	6	3535	90	20	136	280	23.5	89	23.5	170
SPC355-05	5	355.0	364.6	6	3535	90	20	136	304	23.5	89	23.5	170
SPC375-05	5	375.0	384.6	6	3535	90	20	136	324	23.5	89	23.5	170
SPC400-05	5	400.0	409.6	5	3535	90	—	136	344	23.5	89	23.5	170
SPC425-05	5	425.0	434.6	5	4040	100	—	136	369	17	102	17	200
SPC450-05	5	450.0	459.6	5	4040	100	—	136	394	17	102	17	200
SPC475-05	5	475.0	484.6	5	4040	100	—	136	419	17	102	17	200
SPC500-05	5	500.0	509.6	5	4040	100	—	136	444	17	102	14	200
SPC530-05	5	530.0	539.6	5	4040	100	—	136	474	17	102	17	200
SPC560-05	5	560.0	569.6	5	4545	110	—	136	504	11	114	11	225
SPC630-05	5	630.0	639.6	5	5050	125	—	136	574	4.5	127	4.5	245
SPC710-05	5	710.0	719.6	5	5050	125	—	136	654	4.5	127	4.5	245
SPC800-05	5	800.0	809.6	5	5050	125	—	136	737	4.5	127	4.5	245
SPC1000-05	5	1000.0	1009.6	5	5050	125	—	136	937	4.5	127	4.5	245
SPC1250-05	5	1250.0	1259.6	5	5050	125	—	136	1187	4.5	127	4.5	245

**Taper Bore V-pulleys**

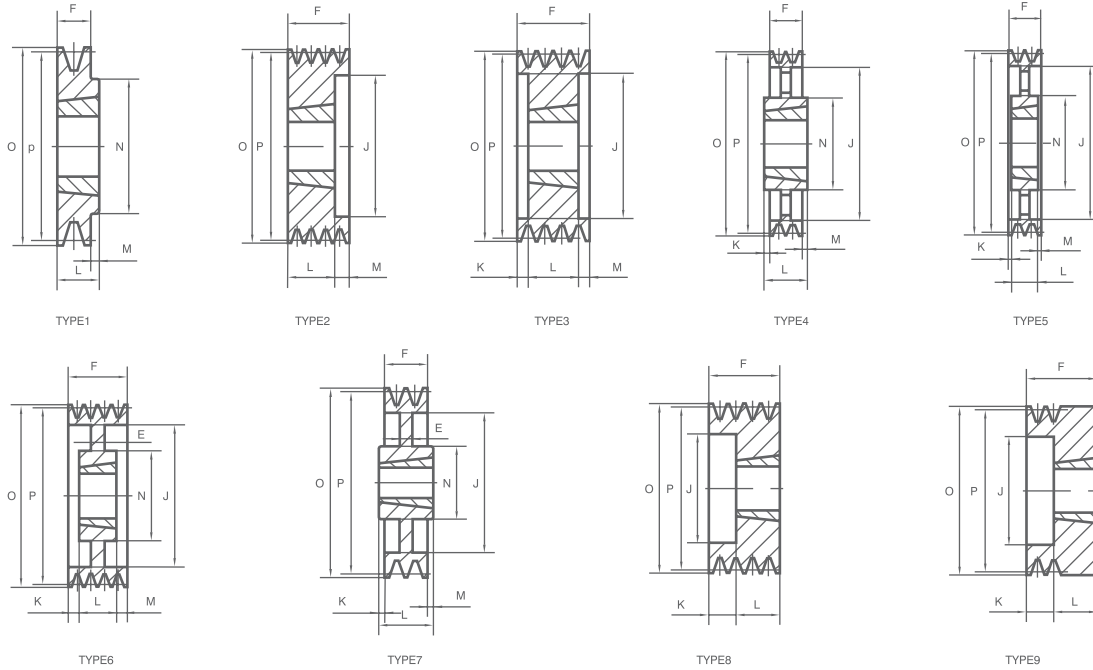
**SPC-6**



PART NO.	NO.OF GROOVES	P.D	O.D	TYPE	BUSH NO.	MAX BORE	E	F	J	K	L	M	N
SPC200-06	6	200.0	209.6	3	3535	90	—	162	148	36.5	89	36.5	—
SPC212-06	6	212.0	221.6	3	3535	90	—	162	160	36.5	89	36.5	—
SPC224-06	6	224.0	233.6	3	3535	90	—	162	173	36.5	89	36.5	—
SPC236-06	6	236.0	245.6	3	3535	90	—	162	185	36.5	89	36.5	—
SPC250-06	6	250.0	259.6	3	3535	90	—	162	198	36.5	89	36.5	—
SPC265-06	6	265.0	274.6	3	3535	90	—	162	213	36.5	89	36.5	—
SPC280-06	6	280.0	289.6	3	3535	90	—	162	228	36.5	89	36.5	—
SPC300-06	6	300.0	309.6	6	3535	90	20	162	247	36.5	89	36.5	170
SPC315-06	6	315.0	324.6	6	3535	90	20	162	264	36.5	89	36.5	170
SPC335-06	6	335.0	344.6	6	3535	90	20	162	280	36.5	89	36.5	170
SPC355-06	6	355.0	364.6	6	3535	90	20	162	304	36.5	89	36.5	170
SPC375-06	6	375.0	384.6	6	4040	100	20	162	324	30	102	30	200
SPC400-06	6	400.0	409.6	6	4040	100	20	162	348	30	102	30	200
SPC425-06	6	425.0	434.6	6	4545	110	30	162	369	24	114	24	225
SPC450-06	6	450.0	459.6	6	4545	110	30	162	394	24	114	24	225
SPC475-06	6	475.0	484.6	6	4545	110	30	162	419	24	114	24	225
SPC500-06	6	500.0	509.6	5	4545	110	30	162	444	24	114	24	225
SPC530-06	6	530.0	539.6	5	4545	110	30	162	474	24	114	24	225
SPC560-06	6	560.0	569.6	5	5050	125	—	162	504	17.5	127	17.5	245
SPC630-06	6	630.0	639.6	5	5050	125	—	162	574	17.5	127	17.5	245
SPC710-06	6	710.0	719.6	5	5050	125	—	162	656	17.5	127	17.5	245
SPC800-06	6	800.0	809.6	5	5050	125	—	162	737	17.5	127	17.5	245
SPC1000-06	6	1000.0	1009.6	5	5050	125	—	162	937	17.5	127	17.5	245
SPC1250-06	6	1250.0	1259.6	5	5050	125	—	162	1187	17.5	127	17.5	245

**Taper B<sub>ore</sub> V-pulleys**

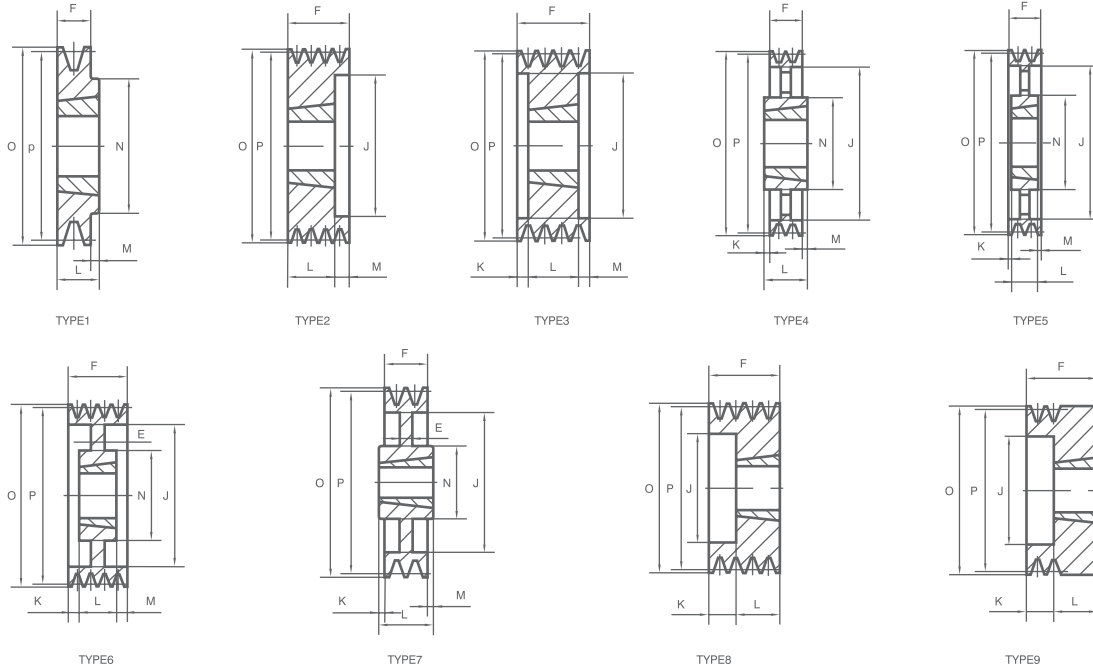
**SPC-8**



PART NO.	NO.OF GROOVES	R.D	O.D	TYPE	BUSH NO.	MAX BORE	E	F	J	K	L	M	N
SPC200-08	8	200.0	209.6	3	3535	90	—	213	148	62	89	62	—
SPC212-08	8	212.0	221.6	3	3535	90	—	213	160	62	89	62	—
SPC224-08	8	224.0	233.6	3	3535	90	—	213	170	62	89	62	—
SPC236-08	8	236.0	245.6	3	3535	90	—	213	184	62	89	62	—
SPC250-08	8	250.0	259.6	3	3535	90	—	213	198	62	89	62	—
SPC265-08	8	265.0	274.6	3	3535	90	—	213	213	62	89	62	—
SPC280-08	8	280.0	289.6	3	3535	90	—	213	228	62	89	62	—
SPC300-08	8	300.0	309.6	3	4040	100	—	213	247	55.5	102	55.5	—
SPC315-08	8	315.0	324.6	3	4040	100	—	213	258	55.5	102	55.5	—
SPC335-08	8	335.0	344.6	6	4040	100	—	213	280	55.5	102	55.5	—
SPC355-08	8	355.0	364.6	3	4040	100	—	213	304	55.5	102	55.5	—
SPC375-08	8	375.0	384.6	3	4545	110	—	213	324	49.5	114	49.5	—
SPC400-08	8	400.0	409.6	6	4545	110	20	213	348	49.5	114	49.5	220
SPC425-08	8	425.0	434.6	6	5050	125	30	213	369	43	127	43	245
SPC450-08	8	450.0	459.6	6	5050	125	30	213	394	43	127	43	245
SPC475-08	8	475.0	484.6	6	5050	125	30	213	419	43	127	43	245
SPC500-08	8	500.0	509.6	6	5050	125	30	213	444	43	127	43	245
SPC530-08	8	530.0	539.6	6	5050	125	30	213	474	43	127	43	245
SPC560-08	8	560.0	569.6	5	5050	125	—	213	504	43	127	43	245
SPC630-08	8	630.0	639.6	5	5050	125	—	213	574	43	127	43	245
SPC710-08	8	710.0	719.6	5	5050	125	—	213	656	43	127	43	245
SPC800-08	8	800.0	809.6	5	5050	125	—	213	737	43	127	43	245
SPC1000-08	8	1000.0	1009.6	5	5050	125	—	213	937	43	127	43	245
SPC1250-08	8	1250.0	1259.6	5	5050	125	—	213	1187	43	127	43	245

**T<sub>aper</sub>  
B<sub>ore</sub>** **V-pulleys**

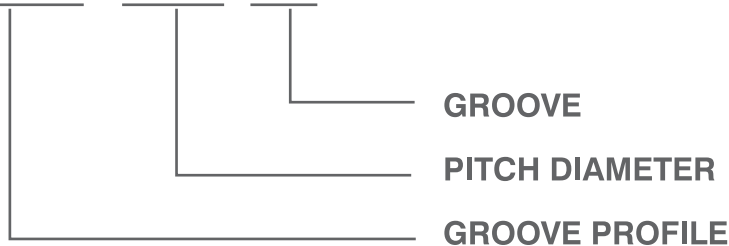
**SPC-10**



PART NO.	NO.OF GROOVES	P.D	O.D	TYPE	BUSH NO.	MAX BORE	E	F	J	K	L	M	N
SPC250-10	10	250.0	259.6	3	4040	100	—	264	196	81	102	84	—
SPC280-10	10	280.0	289.6	3	4040	100	—	264	226	81	102	81	—
SPC300-10	10	300.0	309.6	3	4545	110	—	264	245	75	114	75	—
SPC315-10	10	315.0	324.6	3	4545	110	—	264	258	75	114	75	—
SPC355-10	10	355.0	364.6	3	4545	110	—	264	299	75	114	75	—
SPC400-10	10	400.0	409.6	3	5050	125	—	264	342	68.5	127	68.5	—
SPC450-10	10	450.0	459.6	6	5050	125	40	264	394	68.5	127	68.5	245
SPC500-10	10	500.0	509.6	6	5050	125	40	264	444	68.5	127	68.5	245
SPC560-10	10	560.0	569.6	5	5050	125	—	264	504	68.5	127	68.5	245
SPC630-10	10	630.0	639.6	5	5050	125	—	264	574	68.5	127	68.5	245
SPC710-10	10	710.0	719.6	5	5050	125	—	264	656	68.5	127	68.5	245
SPC800-10	10	800.0	809.6	5	5050	125	—	264	737	68.5	127	68.5	245
SPC1000-10	10	1000.0	1009.6	5	5050	125	—	264	937	68.5	127	68.5	245
SPC1250-10	10	1250.0	1259.6	5	5050	125	—	264	1187	68.5	127	68.5	245

**NOMENCLATURE FOR TAPER-FLUSH V-BELT PULLEY**

**SPB 250-06**



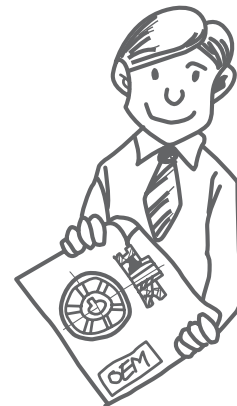


# V-pulleys BS3790 - 1981

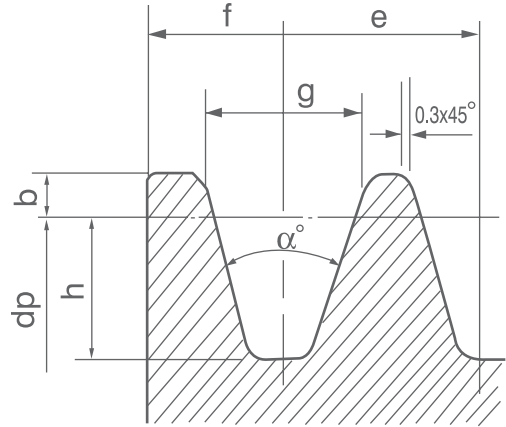
## SPA-SPB-SPC-SPZ



OEM Purchasing,  
finished products  
serving (finished  
bore, keyway etc.)



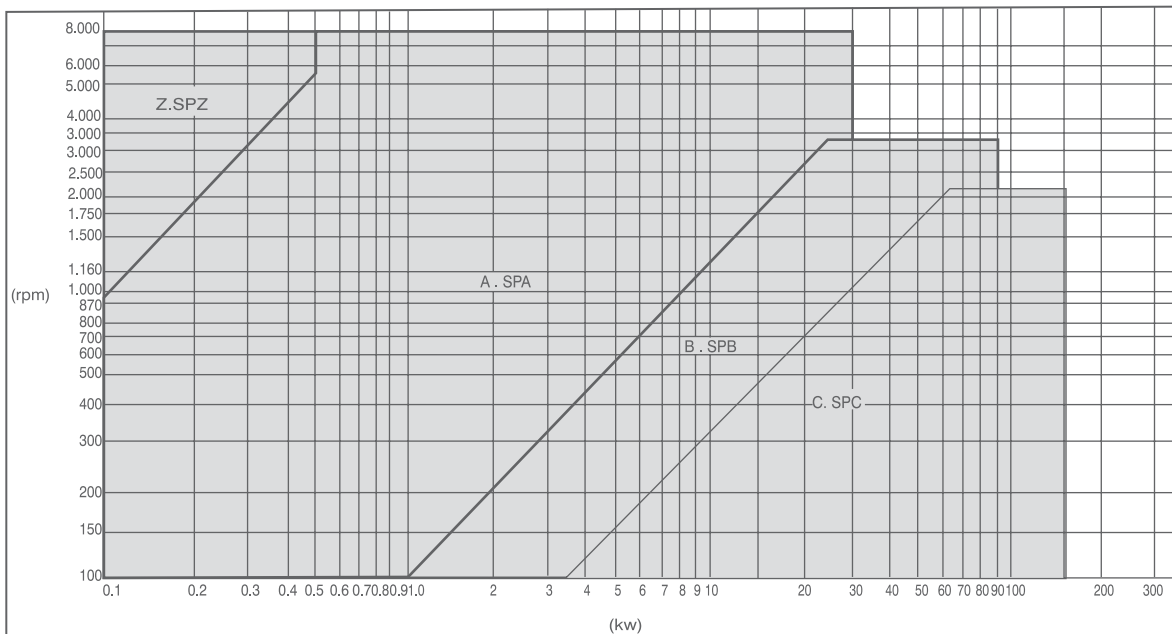
**S<sup>standard</sup>  
B<sub>ore</sub>** **V-pulleys** **BS3790 - 1981**



**SPZ - SPA - SPB - SPC**

SEZIONE	PD(mm)	$\alpha^\circ$	f	e	g	h	b
Z-SPZ	$\leq 80$	34	8	12	9.7	9	2
	$> 80$	38			9.9		
A-SPA	$\leq 118$	34	10	15	12.7	11	2.75
	$> 118$	38			12.9		
B-SPB	$\leq 190$	34	12.5	19	16.1	14	3.5
	$> 190$	38			16.4		
C-SPC	$\leq 315$	34	17	25.5	21.9	19	4.8
	$> 315$	38			22.3		

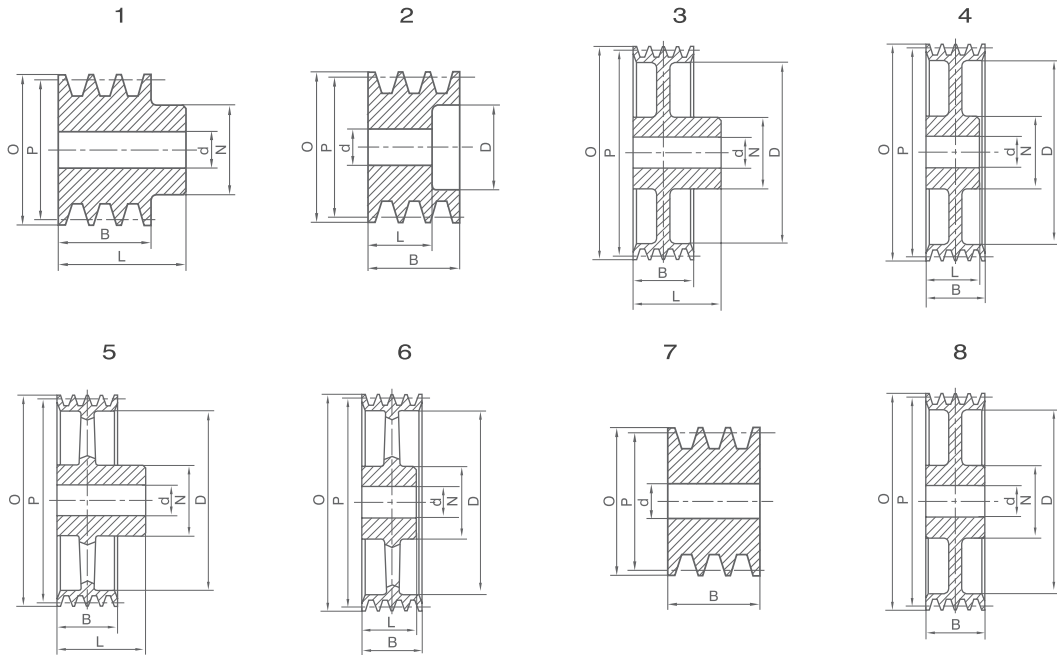
**SELECTION FOR STOCK V-BELT PULLEYS**





**S**<sup>standard</sup>  
**B**<sub>ore</sub> **V-pulleys**

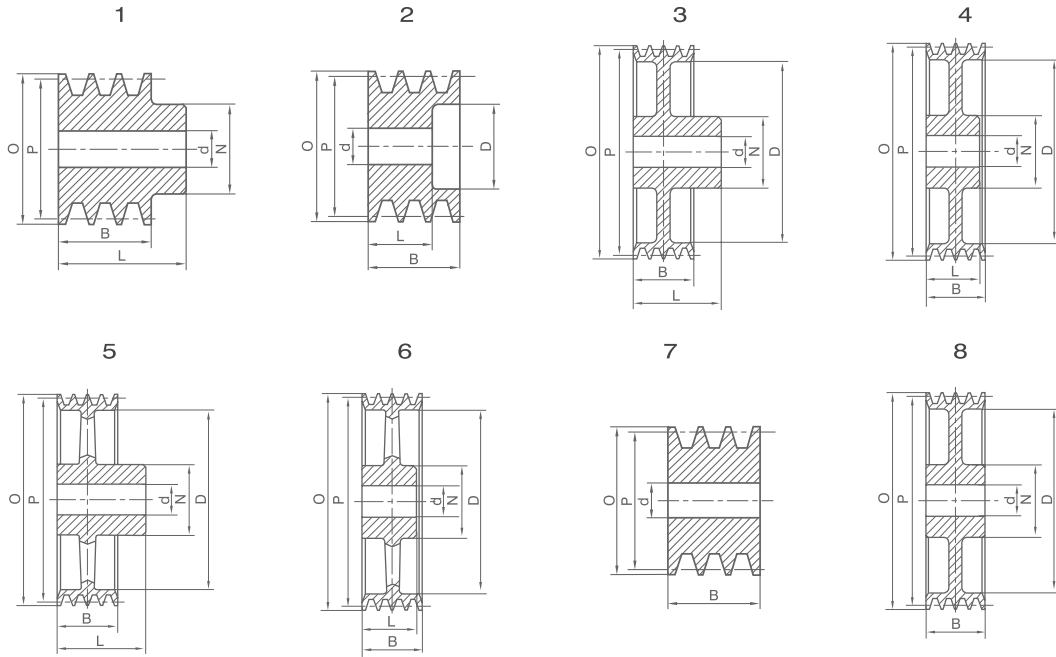
**SPZ-1**



PART NO.	NO.OF GROOVES	O.D	P.D	TYPE	N	L	D	E	B	d
SPZ50-1S	1	54	50	1	40	28	—	—	16	10
SPZ56-1S	1	60	56	1	45	28	—	—	16	10
SPZ63-1S	1	67	63	1	50	28	—	—	16	10
SPZ71-1S	1	75	71	1	50	28	—	—	16	10
SPZ75-1S	1	79	75	1	50	28	—	—	16	10
SPZ80-1S	1	84	80	1	50	28	—	—	16	10
SPZ85-1S	1	89	85	1	50	28	—	—	16	10
SPZ90-1S	1	94	90	1	50	28	—	—	16	10
SPZ95-1S	1	99	95	1	50	28	—	—	16	10
SPZ100-1S	1	104	100	1	50	28	—	—	16	10
SPZ106-1S	1	110	106	1	50	28	—	—	16	10
SPZ112-1S	1	116	112	1	50	28	—	—	16	10
SPZ118-1S	1	122	118	3	50	28	93	8	16	10
SPZ125-1S	1	129	125	3	50	28	100	8	16	15
SPZ132-1S	1	136	132	3	50	28	106	8	16	15
SPZ140-1S	1	144	140	3	50	28	114	8	16	15
SPZ150-1S	1	154	150	3	50	28	124	8	16	15
SPZ160-1S	1	164	160	3	55	32	134	8	16	15
SPZ180-1S	1	184	180	5	55	32	154	8	16	20
SPZ200-1S	1	204	200	5	55	32	174	8	16	20
SPZ224-1S	1	228	224	5	55	32	198	8	16	20
SPZ250-1S	1	254	250	5	55	32	224	8	16	20

**S**<sup>standard</sup>  
**B**<sub>ore</sub> **V-pulleys**

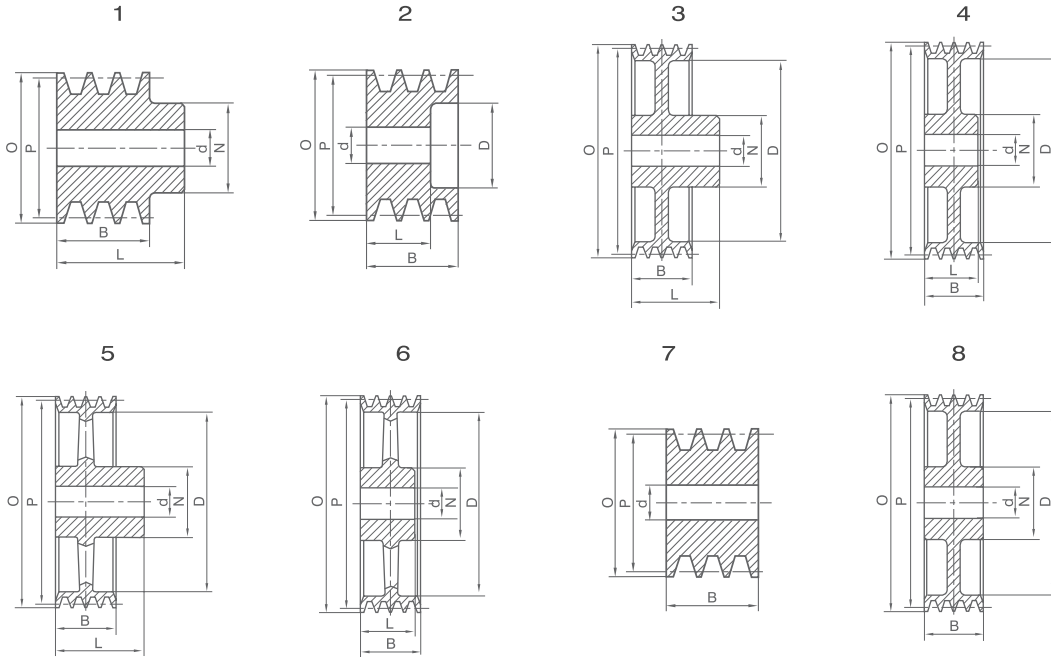
**SPZ-2**



PART NO.	NO.OF GROOVES	O.D	P.D	TYPE	N	L	D	E	B	d
SPZ50-2S	2	54	50	1	40	35	—	—	28	10
SPZ56-2S	2	60	56	1	45	35	—	—	28	10
SPZ63-2S	2	67	63	1	50	35	—	—	28	10
SPZ71-2S	2	75	71	1	55	35	—	—	28	10
SPZ75-2S	2	79	75	1	60	35	—	—	28	10
SPZ80-2S	2	84	80	1	60	35	—	—	28	10
SPZ85-2S	2	89	85	1	60	35	—	—	28	10
SPZ90-2S	2	94	90	1	60	35	—	—	28	10
SPZ95-2S	2	99	95	1	60	35	—	—	28	15
SPZ100-2S	2	104	100	1	60	35	—	—	28	15
SPZ106-2S	2	110	106	1	60	35	—	—	28	15
SPZ112-2S	2	116	112	1	60	35	—	—	28	15
SPZ118-2S	2	122	118	3	60	35	97	8	28	15
SPZ125-2S	2	129	125	3	60	35	99	8	28	15
SPZ132-2S	2	136	132	3	60	40	105	8	28	15
SPZ140-2S	2	144	140	3	60	40	114	8	28	15
SPZ150-2S	2	154	150	3	60	40	124	8	28	15
SPZ160-2S	2	164	160	3	60	40	134	8	28	15
SPZ180-2S	2	184	180	5	60	40	154	8	28	20
SPZ200-2S	2	204	200	5	60	40	174	8	28	20
SPZ224-2S	2	228	224	5	60	40	198	8	28	20
SPZ250-2S	2	254	250	5	60	40	224	10	28	20
SPZ280-2S	2	284	280	5	65	45	254	10	28	20
SPZ315-2S	2	319	315	5	65	45	289	10	28	20

**S**<sup>standard</sup>  
**B**<sub>ore</sub> **V-pulleys**

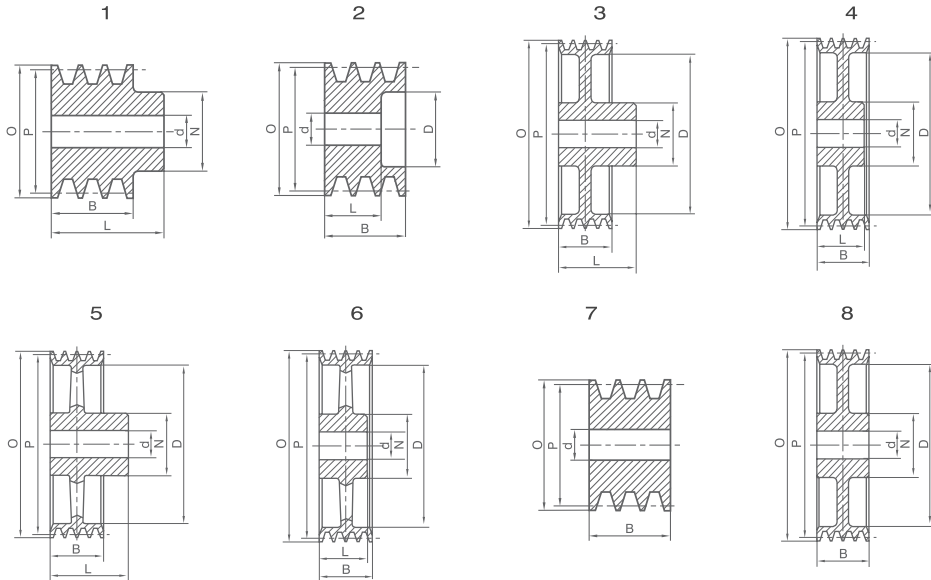
**SPZ-3**



PART NO.	NO.OF GROOVES	O.D	R.D	TYPE	N	L	D	E	B	d
SPZ50-3S	3	54	50	7	—	—	—	—	40	10
SPZ56-3S	3	60	56	7	—	—	—	—	40	10
SPZ63-3S	3	67	63	7	—	—	—	—	40	10
SPZ71-3S	3	75	71	7	—	—	—	—	40	10
SPZ75-3S	3	79	75	7	—	—	—	—	40	10
SPZ80-3S	3	84	80	7	—	—	—	—	40	10
SPZ85-3S	3	89	85	7	—	—	—	—	40	15
SPZ90-3S	3	94	90	7	—	—	—	—	40	15
SPZ95-3S	3	99	95	7	—	—	—	—	40	15
SPZ100-3S	3	104	100	7	—	—	—	—	40	15
SPZ106-3S	3	110	106	7	—	—	—	—	40	15
SPZ112-3S	3	116	112	7	—	—	—	—	40	15
SPZ118-3S	3	122	118	7	—	—	—	—	40	15
SPZ125-3S	3	129	125	7	—	—	—	—	40	15
SPZ132-3S	3	136	132	8	60	40	106	8	40	15
SPZ140-3S	3	144	140	8	60	40	114	8	40	15
SPZ150-3S	3	154	150	8	60	40	124	8	40	20
SPZ160-3S	3	164	160	3	65	45	134	8	40	20
SPZ180-3S	3	184	180	5	65	45	154	8	40	20
SPZ200-3S	3	204	200	5	65	45	174	10	40	20
SPZ224-3S	3	228	224	5	65	45	198	10	40	20
SPZ250-3S	3	254	250	5	65	45	224	12	40	20

**S**<sup>standard</sup>  
**B**<sub>ore</sub> **V-pulleys**

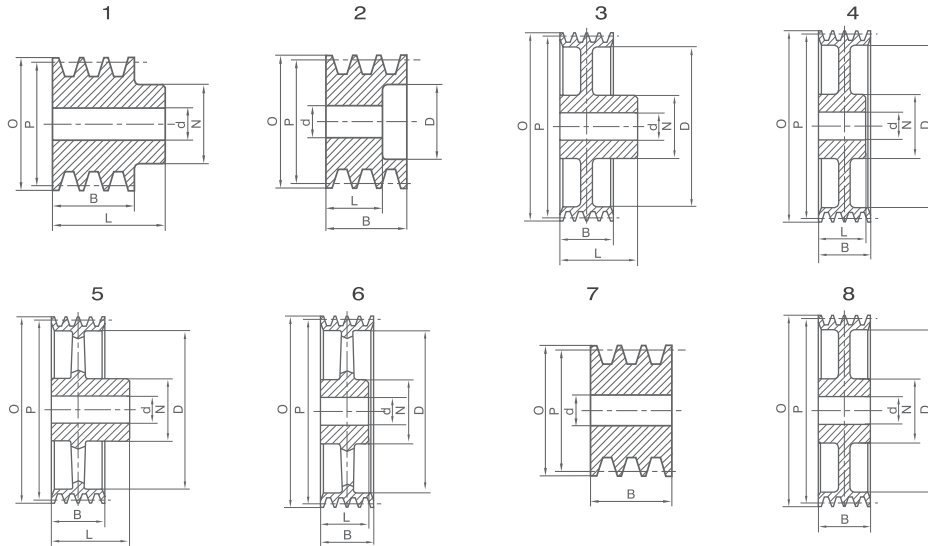
**SPA-1**



PART NO.	NO.OF GROOVES	O.D	P.D	TYPE	N	L	D	E	B	d
SPA40-1S	1	45.5	40	1	40	35	—	—	20	10
SPA50-1S	1	55.5	50	1	40	35	—	—	20	10
SPA60-1S	1	65.5	60	1	40	35	—	—	20	10
SPA71-1S	1	76.5	71	1	40	40	—	—	20	10
SPA75-1S	1	80.5	75	1	40	40	—	—	20	10
SPA80-1S	1	85.5	80	1	45	40	—	—	20	10
SPA85-1S	1	90.5	85	1	45	40	—	—	20	10
SPA90-1S	1	95.5	90	1	45	40	—	—	20	10
SPA95-1S	1	100.5	95	1	45	40	—	—	20	10
SPA100-1S	1	105.5	100	1	48	40	—	—	20	10
SPA106-1S	1	111.5	106	1	48	40	—	—	20	10
SPA112-1S	1	117.5	112	1	48	40	—	—	20	10
SPA118-1S	1	123.5	118	1	60	40	—	—	20	15
SPA132-1S	1	137.5	132	1	60	40	—	—	20	15
SPA140-1S	1	145.5	140	3	60	40	107	10	20	15
SPA150-1S	1	155.5	150	3	60	40	117	10	20	15
SPA160-1S	1	165.5	160	3	60	40	127	10	20	15
SPA170-1S	1	175.5	170	3	60	40	137	10	20	15
SPA180-1S	1	185.5	180	3	65	40	147	10	20	20
SPA200-1S	1	205.5	200	3	65	45	167	10	20	20
SPA224-1S	1	229.5	224	3	65	45	192	10	20	20
SPA250-1S	1	255.5	250	3	75	50	217	12	20	20
SPA280-1S	1	285.5	280	5	75	50	247	14	20	20
SPA300-1S	1	305.5	300	5	75	50	267	14	20	20
SPA315-1S	1	320.5	315	5	75	60	282	14	20	20
SPA355-1S	1	360.5	355	5	75	50	322	14	20	20
SPA400-1S	1	405.5	400	5	90	50	367	14	20	20
SPA450-1S	1	455.5	450	5	90	50	417	14	20	20

**S<sup>standard</sup><sub>B<sub>ore</sub></sub> V-pulleys**

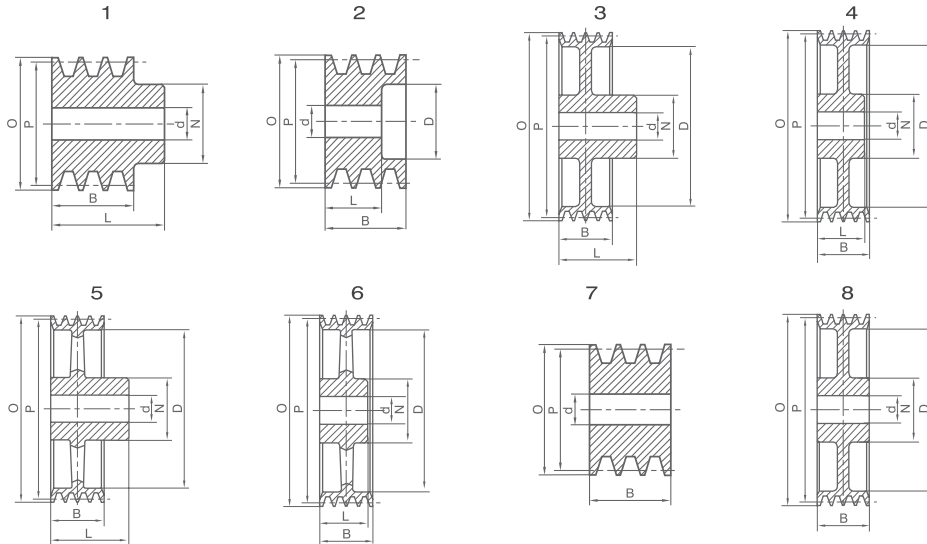
**SPA-2**



PART NO.	NO.OF GROOVES	O.D	P.D	TYPE	N	L	D	E	B	d
SPA50-2S	2	55.5	50	1	40	45	—	—	35	10
SPA60-2S	2	65.5	60	1	40	45	—	—	35	10
SPA71-2S	2	76.5	71	1	50	45	—	—	35	10
SPA75-2S	2	80.5	75	1	50	45	—	—	35	10
SPA80-2S	2	85.5	80	1	50	45	—	—	35	10
SPA85-2S	2	90.5	85	1	50	45	—	—	35	10
SPA90-2S	2	95.5	90	1	60	45	—	—	35	15
SPA95-2S	2	100.5	95	1	60	45	—	—	35	15
SPA100-2S	2	105.5	100	1	60	45	—	—	35	15
SPA106-2S	2	111.5	106	1	60	45	—	—	35	15
SPA112-2S	2	117.5	112	1	60	45	—	—	35	15
SPA118-2S	2	123.5	118	1	60	45	—	—	35	15
SPA132-2S	2	137.5	132	1	60	45	—	—	35	15
SPA140-2S	2	145.5	140	3	60	45	107	10	35	15
SPA150-2S	2	155.5	150	3	60	45	117	10	35	15
SPA160-2S	2	165.5	160	3	60	45	127	10	35	15
SPA170-2S	2	175.5	170	3	60	45	137	10	35	15
SPA180-2S	2	185.5	180	3	70	50	147	12	35	20
SPA200-2S	2	205.5	200	3	70	50	167	12	35	20
SPA224-2S	2	229.5	224	3	70	50	192	12	35	20
SPA250-2S	2	255.5	250	3	75	50	217	12	35	20
SPA280-2S	2	285.5	280	5	80	50	247	14	35	20
SPA300-2S	2	305.5	300	5	80	50	267	14	35	20
SPA315-2S	2	320.5	315	5	80	50	282	14	35	20
SPA355-2S	2	360.5	355	5	80	50	322	14	35	20
SPA400-2S	2	405.5	400	5	90	50	367	14	35	20
SPA450-2S	2	455.5	450	5	100	50	417	14	35	25
SPA500-2S	2	505.5	500	5	100	50	467	16	35	25
SPA560-2S	2	565.5	560	5	100	50	527	18	35	25
SPA600-2S	2	605.5	600	5	110	50	567	18	35	25
SPA630-2S	2	635.5	630	5	110	50	597	18	35	25

**S**<sup>standard</sup>  
**B**<sub>ore</sub> **V-pulleys**

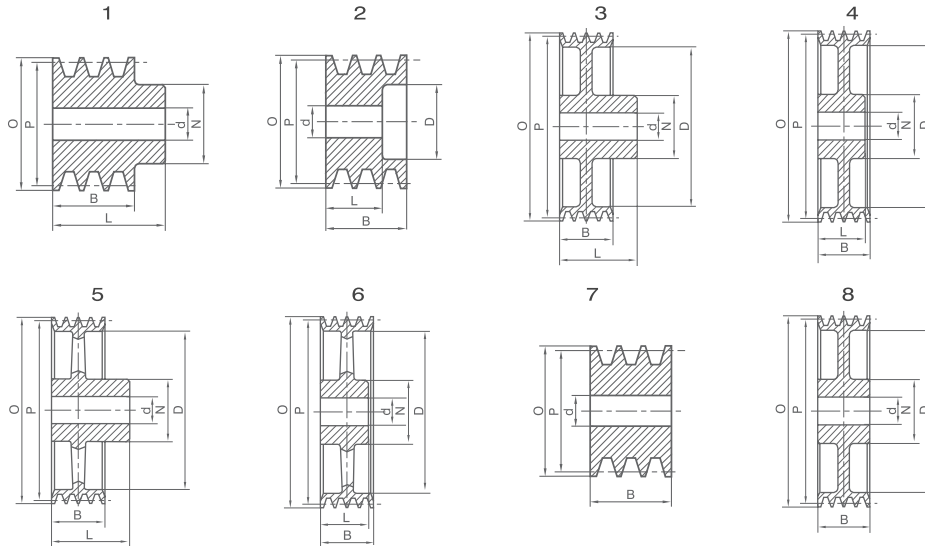
**SPA-3**



PART NO.	NO.OF GROOVES	O.D	P.D	TYPE	N	L	D	E	B	d
SPA60-3S	3	65.5	60	7	—	—	—	—	50	10
SPA71-3S	3	76.5	71	1	52	52	—	—	50	10
SPA75-3S	3	80.5	75	7	—	—	—	—	50	10
SPA80-3S	3	85.5	80	7	—	—	—	—	50	15
SPA85-3S	3	90.5	85	7	—	—	—	—	50	15
SPA90-3S	3	95.5	90	7	—	—	—	—	50	15
SPA95-3S	3	100.5	95	7	—	—	—	—	50	15
SPA100-3S	3	105.5	100	7	—	—	—	—	50	15
SPA112-3S	3	117.5	112	7	—	—	—	—	50	15
SPA118-3S	3	123.5	118	7	—	—	—	—	50	15
SPA132-3S	3	137.5	132	7	—	—	—	—	50	15
SPA140-3S	3	145.5	140	3	65	52	107	12	50	15
SPA150-3S	3	155.5	150	3	65	52	117	12	50	20
SPA160-3S	3	165.5	160	3	70	52	127	12	50	20
SPA170-3S	3	175.5	170	3	70	52	137	12	50	20
SPA180-3S	3	185.5	180	3	70	52	147	12	50	20
SPA200-3S	3	205.5	200	3	70	52	167	12	50	20
SPA224-3S	3	229.5	224	3	80	52	192	12	50	20
SPA250-3S	3	255.5	250	3	80	60	217	12	50	20
SPA280-3S	3	285.5	280	5	80	60	247	14	50	20
SPA300-3S	3	305.5	300	5	80	60	267	14	50	20
SPA315-3S	3	320.5	315	5	90	60	282	14	50	20
SPA355-3S	3	360.5	355	5	90	60	322	14	50	20
SPA400-3S	3	405.5	400	5	100	60	367	16	50	25
SPA450-3S	3	455.5	450	5	100	60	417	16	50	25
SPA500-3S	3	505.5	500	5	105	60	467	20	50	25
SPA560-3S	3	565.5	560	5	120	65	527	20	50	25
SPA600-3S	3	605.5	600	5	120	65	567	20	50	25
SPA630-3S	3	635.5	630	5	120	65	597	20	50	25

**S<sup>standard</sup><sub>B</sub><sup>ore</sup> V-pulleys**

**SPA-4**

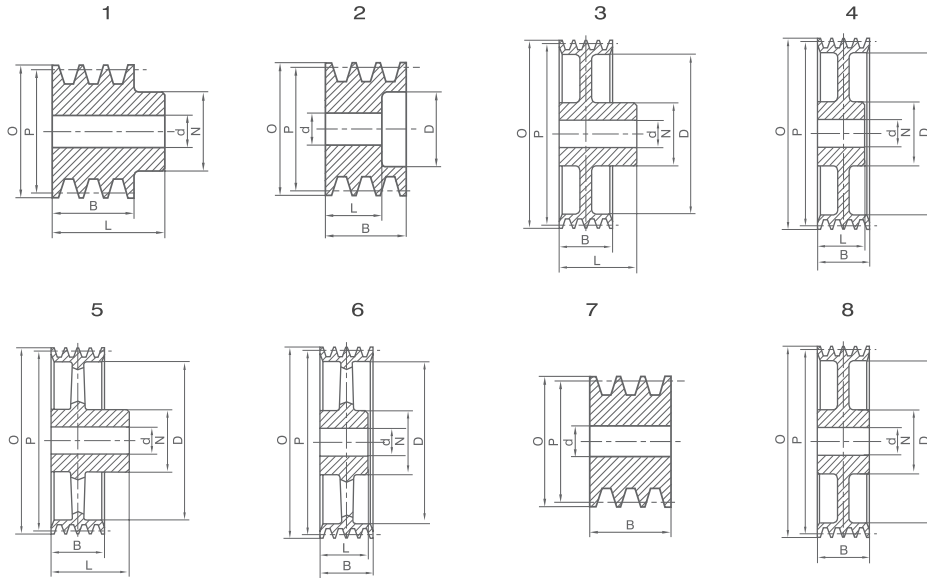


PART NO.	NO.OF GROOVES	O.D	P.D	TYPE	N	L	D	E	B	d
SPA75-4S	4	80.5	75	7	—	—	—	—	65	10
SPA80-4S	4	85.5	80	7	—	—	—	—	65	15
SPA85-4S	4	90.5	85	7	—	—	—	—	65	15
SPA90-4S	4	95.5	90	7	—	—	—	—	65	15
SPA95-4S	4	100.5	95	7	—	—	—	—	65	15
SPA100-4S	4	105.5	100	2	—	52	67	—	65	15
SPA112-4S	4	117.5	112	2	—	52	79	—	65	15
SPA118-4S	4	123.5	118	2	—	52	87	—	65	15
SPA132-4S	4	137.5	132	2	—	52	97	—	65	15
SPA140-4S	4	145.5	140	2	—	52	107	—	65	20
SPA150-4S	4	155.5	150	2	—	52	117	—	65	20
SPA160-4S	4	165.5	160	4	70	52	127	12	65	20
SPA170-4S	4	175.5	170	4	80	52	137	12	65	20
SPA180-4S	4	185.5	180	4	80	60	147	12	65	20
SPA200-4S	4	205.5	200	4	80	60	167	12	65	20
SPA224-4S	4	229.5	224	4	90	60	192	12	65	20
SPA250-4S	4	255.5	250	3	90	65	217	12	65	20
SPA280-4S	4	285.5	280	5	90	65	247	14	65	20
SPA300-4S	4	305.5	300	5	90	65	267	14	65	20
SPA315-4S	4	320.5	315	5	90	65	282	14	65	20
SPA355-4S	4	360.5	355	5	90	65	322	16	65	25
SPA400-4S	4	405.5	400	5	100	65	367	20	65	25
SPA450-4S	4	455.5	450	5	105	65	417	20	65	25
SPA500-4S	4	505.5	500	5	105	65	467	20	65	25
SPA560-4S	4	565.5	560	5	120	65	527	22	65	25
SPA600-4S	4	605.5	600	5	120	65	567	22	65	25
SPA630-4S	4	635.5	630	5	120	65	597	22	65	25



**S**<sup>standard</sup>  
**B**<sub>ore</sub> **V-pulleys**

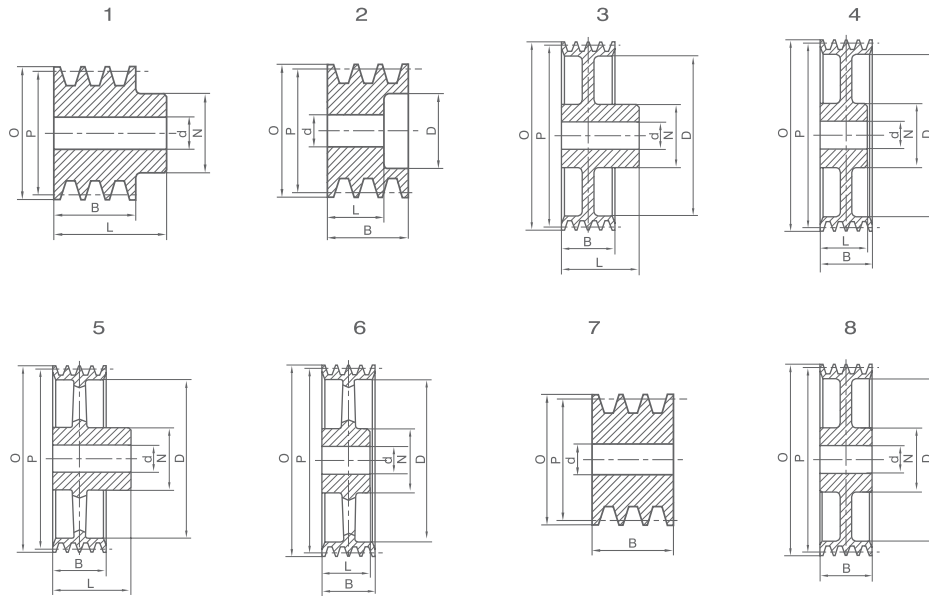
**SPA-5**



PART NO.	NO.OF GROOVES	O.D	R.D	TYPE	N	L	D	E	B	d
SPA75-5S	5	80.5	75	7	—	—	—	—	80	10
SPA80-5S	5	85.5	80	7	—	—	—	—	80	15
SPA85-5S	5	90.5	85	7	—	—	—	—	80	15
SPA90-5S	5	95.5	90	7	—	—	—	—	80	15
SPA95-5S	5	100.5	95	7	—	—	—	—	80	15
SPA100-5S	5	105.5	100	2	—	52	67	—	80	15
SPA112-5S	5	117.5	112	2	—	52	79	—	80	15
SPA118-5S	5	123.5	118	2	—	52	87	—	80	15
SPA132-5S	5	137.5	132	2	—	52	97	—	80	15
SPA140-5S	5	145.5	140	2	—	52	107	—	80	20
SPA150-5S	5	155.5	150	2	—	52	117	—	80	20
SPA160-5S	5	165.5	160	4	80	52	127	12	80	20
SPA170-5S	5	175.5	170	4	80	52	137	12	80	20
SPA180-5S	5	185.5	180	4	80	65	147	12	80	20
SPA200-5S	5	205.5	200	4	80	65	167	12	80	20
SPA224-5S	5	229.5	224	4	90	65	192	12	80	20
SPA250-5S	5	255.5	250	4	90	65	217	12	80	20
SPA280-5S	5	285.5	280	6	100	65	247	14	80	25
SPA300-5S	5	305.5	300	6	100	65	267	14	80	25
SPA315-5S	5	320.5	315	6	100	65	282	16	80	25
SPA355-5S	5	360.5	355	6	100	65	322	18	80	25
SPA400-5S	5	405.5	400	6	100	65	367	22	80	25
SPA450-5S	5	455.5	450	6	105	65	417	22	80	25
SPA500-5S	5	505.5	500	6	110	65	467	22	80	25
SPA560-5S	5	565.5	560	5	120	80	527	24	80	25
SPA600-5S	5	605.5	600	5	120	80	567	24	80	25
SPA630-5S	5	635.5	630	5	120	80	597	24	80	25

**S<sup>standard</sup><sub>B<sub>ore</sub></sub> V-pulleys**

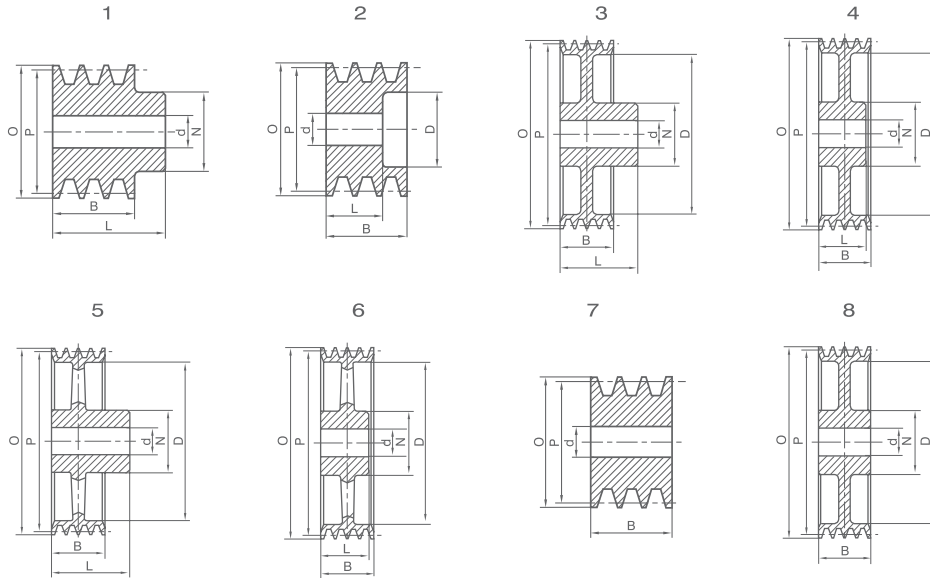
**SPB-1**



PART NO.	NO.OF GROOVES	O.D	P.D	TYPE	N	L	D	E	B	d
SPB70-1S	1	77	70	1	45	45	—	—	25	10
SPB80-1S	1	87	80	1	50	45	—	—	25	10
SPB90-1S	1	97	90	1	50	45	—	—	25	10
SPB100-1S	1	107	100	1	52	45	—	—	25	10
SPB112-1S	1	119	112	1	55	45	—	—	25	15
SPB120-1S	1	127	120	1	55	45	—	—	25	15
SPB125-1S	1	132	125	1	58	45	—	—	25	15
SPB132-1S	1	139	132	1	60	45	—	—	25	15
SPB140-1S	1	147	140	1	65	45	—	—	25	20
SPB150-1S	1	157	150	1	65	45	—	—	25	20
SPB160-1S	1	167	160	3	65	45	118	12	25	20
SPB170-1S	1	177	170	3	65	45	128	12	25	20
SPB180-1S	1	187	180	3	65	45	138	12	25	20
SPB200-1S	1	207	200	3	70	45	158	14	25	20
SPB212-1S	1	219	212	3	70	45	170	14	25	20
SPB225-1S	1	232	225	3	70	45	183	14	25	20
SPB250-1S	1	257	250	3	70	50	208	14	25	20
SPB280-1S	1	287	280	3	76	50	238	14	25	20
SPB300-1S	1	307	300	5	76	50	258	15	25	20
SPB315-1S	1	322	315	5	76	50	273	15	25	20
SPB355-1S	1	362	355	5	80	50	313	15	25	20
SPB400-1S	1	407	400	5	85	55	358	18	25	20
SPB450-1S	1	457	450	5	90	60	408	18	25	20
SPB500-1S	1	507	500	5	100	60	458	18	25	25
SPB560-1S	1	567	560	5	100	60	518	18	25	25
SPA600-1S	1	607	600	5	100	60	558	18	25	25
SPB630-1S	1	637	630	5	100	60	588	18	25	25

**S** standard  
**B** ore **V-pulleys**

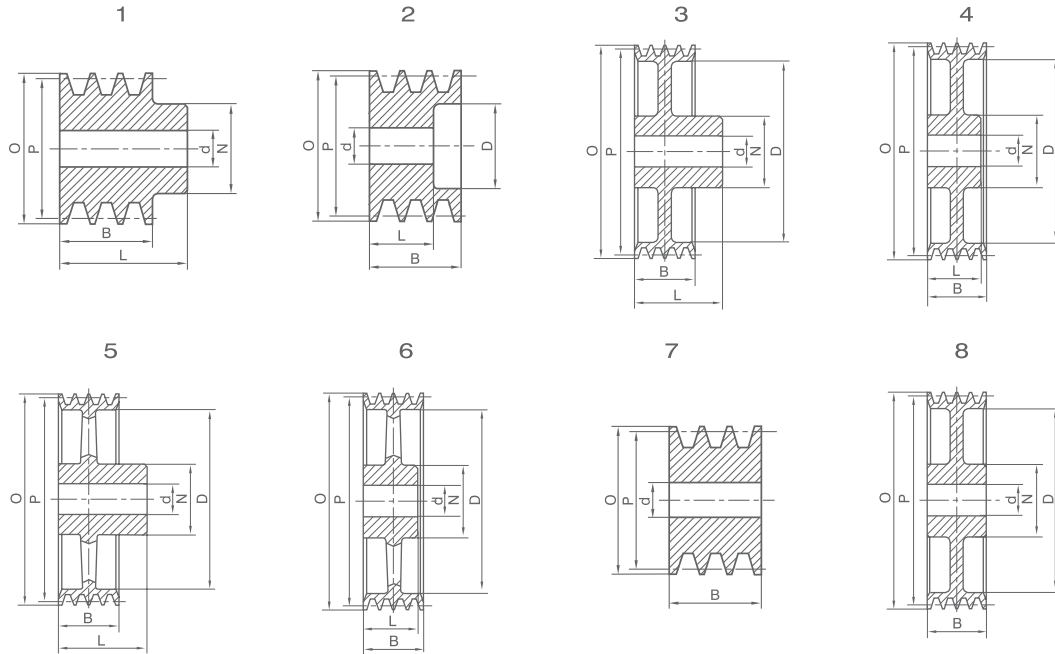
**SPB-2**



PART NO.	NO.OF GROOVES	O.D	P.D	TYPE	N	L	D	E	B	d
SPB70-2S	2	77	70	1	45	55	—	—	44	10
SPB80-2S	2	87	80	1	50	55	—	—	44	10
SPB90-2S	2	97	90	1	50	55	—	—	44	10
SPB100-2S	2	107	100	1	55	55	—	—	44	15
SPB112-2S	2	119	112	1	60	55	—	—	44	15
SPB120-2S	2	127	120	1	60	55	—	—	44	15
SPB125-2S	2	132	125	1	60	55	—	—	44	15
SPB132-2S	2	139	132	1	60	55	—	—	44	15
SPB140-2S	2	147	140	1	65	55	—	—	44	20
SPB150-2S	2	157	150	1	65	55	—	—	44	20
SPB160-2S	2	167	160	3	70	55	118	12	44	20
SPB170-2S	2	177	170	3	70	55	128	12	44	20
SPB180-2S	2	187	180	3	70	55	138	12	44	20
SPB2000-2S	2	207	200	3	70	55	158	12	44	20
SPB212-2S	2	219	212	3	77	55	170	14	44	20
SPB225-2S	2	232	225	3	77	55	183	14	44	20
SPB250-2S	2	257	250	3	77	55	208	14	44	20
SPB280-2S	2	287	280	3	80	55	238	14	44	20
SPB300-2S	2	307	300	5	80	55	258	15	44	20
SPB315-2S	2	322	315	5	88	60	273	15	44	20
SPB355-2S	2	362	355	5	88	60	313	15	44	20
SPB400-2S	2	407	400	5	88	60	358	18	44	20
SPB450-2S	2	457	450	5	90	60	408	18	44	20
SPB500-2S	2	507	500	5	100	65	458	20	44	25
SPB560-2S	2	567	560	5	100	65	518	20	44	25
SPB600-2S	2	607	600	5	100	65	558	20	44	25
SPB630-2S	2	637	630	5	100	65	588	20	44	25

**S<sup>standard</sup><sub>B<sub>ore</sub></sub> V-pulleys**

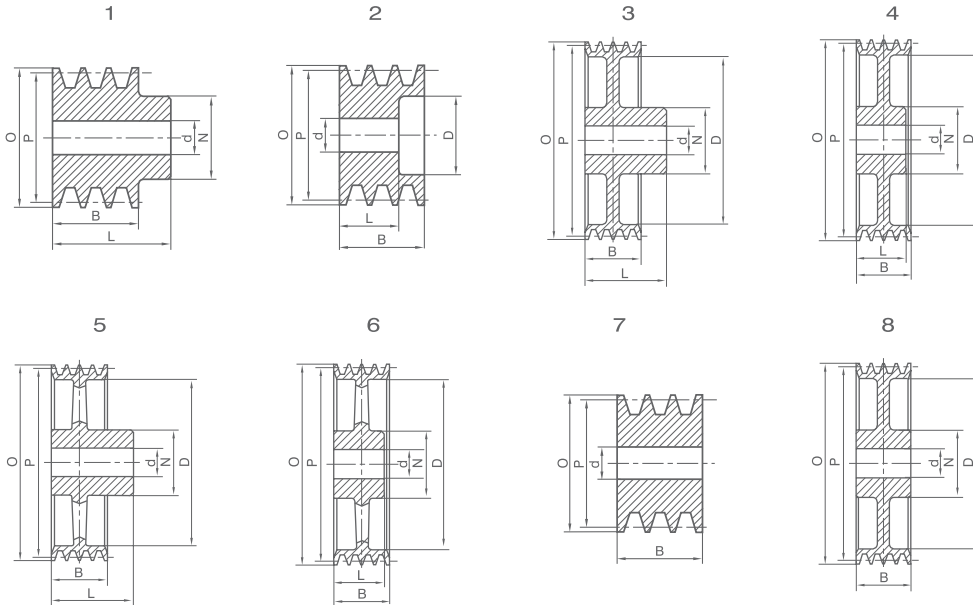
**SPB-3**



PART NO.	NO.OF GROOVES	O.D	P.D	TYPE	N	L	D	E	B	d
SPB80-3S	3	87	80	7	—	—	—	—	63	15
SPB90-3S	3	97	90	7	—	—	—	—	63	15
SPB100-3S	3	107	100	7	—	—	—	—	63	15
SPB112-3S	3	119	112	7	—	—	—	—	63	15
SPB120-3S	3	127	120	7	—	—	—	—	63	15
SPB125-3S	3	132	125	2	—	60	83	—	63	15
SPB132-3S	3	139	132	2	—	60	88	—	63	15
SPB140-3S	3	147	140	2	—	60	98	—	63	20
SPB150-3S	3	157	150	2	—	60	108	—	63	20
SPB160-3S	3	167	160	2	—	60	118	—	63	20
SPB170-3S	3	177	170	4	70	60	128	18	63	20
SPB180-3S	3	187	180	4	80	60	138	18	63	20
SPB200-3S	3	207	200	4	80	60	158	18	63	20
SPB212-3S	3	219	212	4	80	60	170	18	63	20
SPB225-3S	3	232	225	4	80	60	183	18	63	20
SPB250-3S	3	257	250	4	80	60	208	18	63	20
SPB280-3S	3	287	280	4	90	60	238	18	63	20
SPB300-3S	3	307	300	6	90	60	258	18	63	20
SPB315-3S	3	322	315	6	90	60	273	18	63	20
SPB355-3S	3	362	355	6	92	60	313	18	63	25
SPB400-3S	3	407	400	5	96	65	358	22	63	25
SPB450-3S	3	457	450	5	96	65	408	22	63	25
SPB500-3S	3	507	500	5	104	75	458	24	63	25
SPB560-3S	3	567	560	5	104	75	518	24	63	25
SPB600-3S	3	607	600	5	104	75	558	24	63	25
SPB630-3S	3	637	630	5	105	75	588	26	63	25

**S<sup>standard</sup><sub>B<sub>ore</sub></sub> V-pulleys**

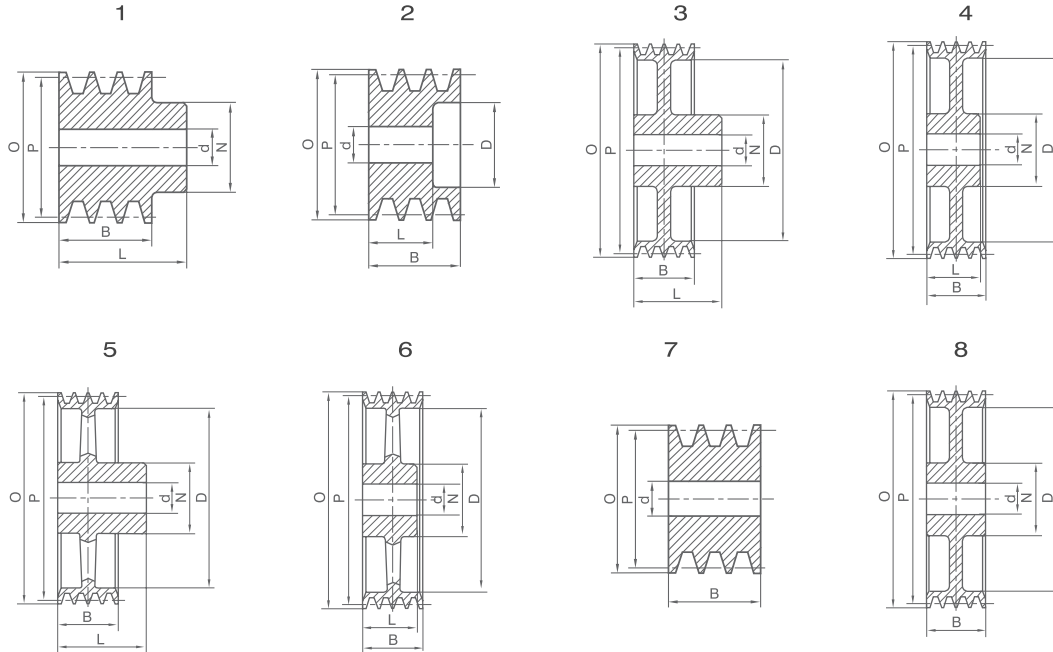
**SPB-4**



PART NO.	NO.OF GROOVES	O.D	R.D	TYPE	N	L	D	E	B	d
SPB80-4S	4	87	80	7	—	—	—	—	82	15
SPB90-4S	4	97	90	7	—	—	—	—	82	15
SPB100-4S	4	107	100	7	—	—	—	—	82	15
SPB112-4S	4	119	112	7	—	—	—	—	82	20
SPB120-4S	4	127	120	7	—	—	—	—	82	20
SPB125-4S	4	132	125	2	—	60	83	—	82	20
SPB132-4S	4	139	132	2	—	60	88	—	82	20
SPB140-4S	4	147	140	2	—	60	98	—	82	20
SPB150-4S	4	157	150	2	—	60	108	—	82	20
SPB160-4S	4	167	160	2	—	60	118	—	82	20
SPB170-4S	4	177	170	4	70	60	128	20	82	20
SPB180-4S	4	187	180	4	80	60	138	20	82	20
SPB200-4S	4	207	200	4	88	60	158	25	82	20
SPB212-4S	4	219	212	4	88	60	170	25	82	20
SPB225-4S	4	232	225	4	88	60	183	25	82	20
SPB250-4S	4	257	250	4	96	65	208	25	82	25
SPB280-4S	4	287	280	4	96	65	238	25	82	25
SPB300-4S	4	307	300	6	96	65	258	20	82	25
SPB315-4S	4	322	315	6	96	65	273	20	82	25
SPB355-4S	4	362	355	6	96	65	313	20	82	25
SPB400-4S	4	407	400	6	104	75	358	24	82	25
SPB450-4S	4	457	450	6	104	75	408	24	82	25
SPB500-4S	4	507	500	5	112	85	458	28	82	25
SPB560-4S	4	567	560	5	112	85	518	28	82	25
SPB600-4S	4	607	600	5	115	85	558	28	82	25
SPB630-4S	4	637	630	5	120	85	588	28	82	25

**S** standard  
**B** ore  
**V-pulleys**

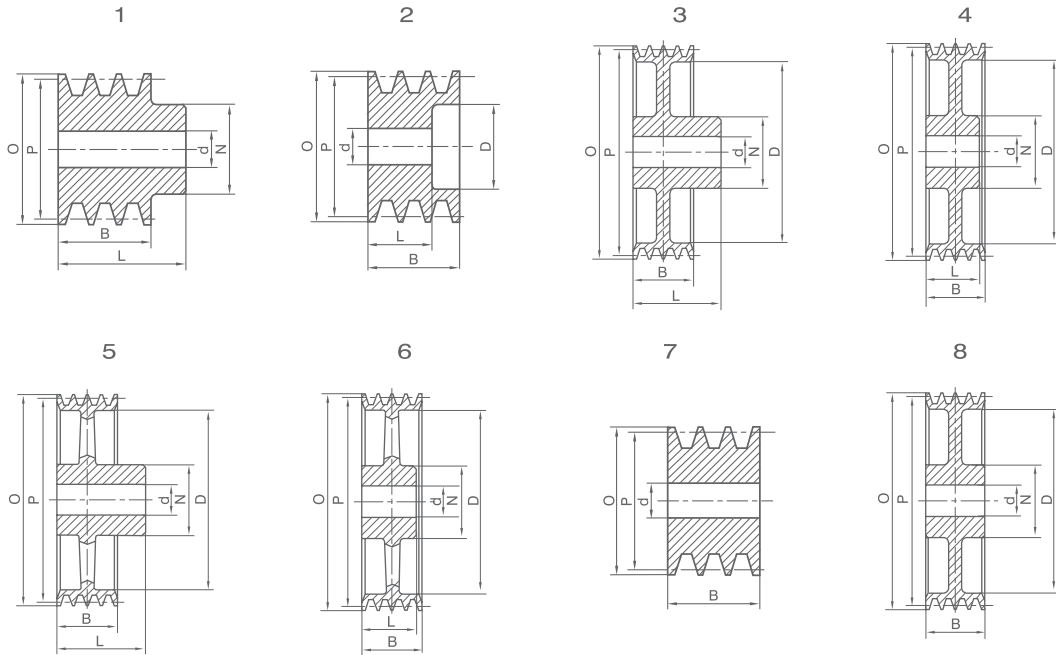
**SPB-5**



PART NO.	NO.OF GROOVES	O.D	R.D	TYPE	N	L	D	E	B	d
SPB80-5S	5	87	80	7	—	—	—	—	101	15
SPB90-5S	5	97	90	7	—	—	—	—	101	15
SPB100-5S	5	107	100	7	—	—	—	—	101	15
SPB112-5S	5	119	112	7	—	—	—	—	101	20
SPB120-5S	5	127	120	7	—	—	—	—	101	20
SPB125-5S	5	132	125	2	—	60	83	—	101	20
SPB132-5S	5	139	132	2	—	60	88	—	101	20
SPB140-5S	5	147	140	2	—	60	98	—	101	20
SPB150-5S	5	157	150	2	—	60	108	—	101	20
SPB160-5S	5	167	160	2	—	60	118	—	101	20
SPB170-5S	5	177	170	4	70	60	128	22	101	20
SPB180-5S	5	187	180	4	80	70	138	22	101	20
SPB200-5S	5	207	200	4	96	70	158	25	101	25
SPB212-5S	5	219	212	4	96	70	170	25	101	25
SPB225-5S	5	232	225	4	96	70	183	25	101	25
SPB250-5S	5	257	250	4	104	75	208	25	101	25
SPB280-5S	5	287	280	4	104	75	238	25	101	25
SPB300-5S	5	307	300	6	104	75	258	22	101	25
SPB315-5S	5	322	315	6	104	75	273	22	101	25
SPB355-5S	5	362	355	6	104	75	313	22	101	25
SPB400-5S	5	407	400	6	112	85	358	24	101	25
SPB450-5S	5	457	450	6	112	85	408	26	101	25
SPB500-5S	5	507	500	6	120	90	458	30	101	25
SPB560-5S	5	567	560	6	120	90	518	30	101	25
SPB600-5S	5	607	600	6	120	90	558	30	101	25
SPB630-5S	5	637	630	6	128	90	588	30	101	25

**S**<sup>standard</sup>  
**B**<sub>ore</sub> **V-pulleys**

**SPB-6**

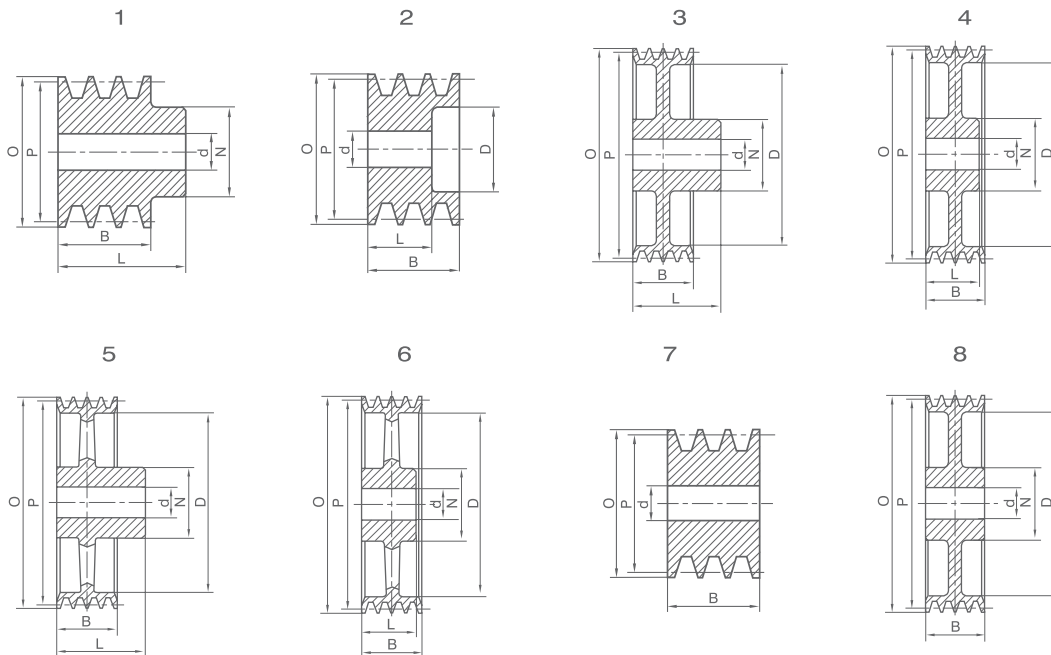


PART NO.	NO.OF GROOVES	O.D	R.D	TYPE	N	L	D	E	B	d
SPB120-6S	6	127	120	7	—	—	—	—	120	20
SPB125-6S	6	132	125	2	—	60	83	—	120	20
SPB132-6S	6	139	132	2	—	60	88	—	120	20
SPB140-6S	6	147	140	2	—	60	98	—	120	20
SPB150-6S	6	157	150	2	—	60	108	—	120	20
SPB160-6S	6	167	160	2	—	65	118	—	120	20
SPB170-6S	6	177	170	4	70	65	128	22	120	20
SPB180-6S	6	187	180	4	80	70	138	22	120	20
SPB200-6S	6	207	200	4	96	70	158	25	120	25
SPB212-6S	6	219	212	4	104	80	170	25	120	25
SPB225-6S	6	232	225	4	104	80	183	25	120	25
SPB250-6S	6	257	250	4	104	80	208	25	120	25
SPB280-6S	6	287	280	4	104	80	238	25	120	25
SPB300-6S	6	307	300	6	104	80	258	25	120	25
SPB315-6S	6	322	315	6	120	90	273	25	120	25
SPB355-6S	6	362	355	6	120	90	313	25	120	25
SPB400-6S	6	407	400	6	120	100	358	28	120	25
SPB450-6S	6	457	450	6	120	100	408	28	120	25
SPB500-6S	6	507	500	6	129	105	458	33	120	25
SPB560-6S	6	567	560	6	129	105	518	33	120	25
SPB600-6S	6	607	600	6	129	105	558	33	120	25
SPB630-6S	6	637	630	6	140	105	588	33	120	25



**S**<sup>standard</sup>  
**B**<sub>ore</sub> **V-pulleys**

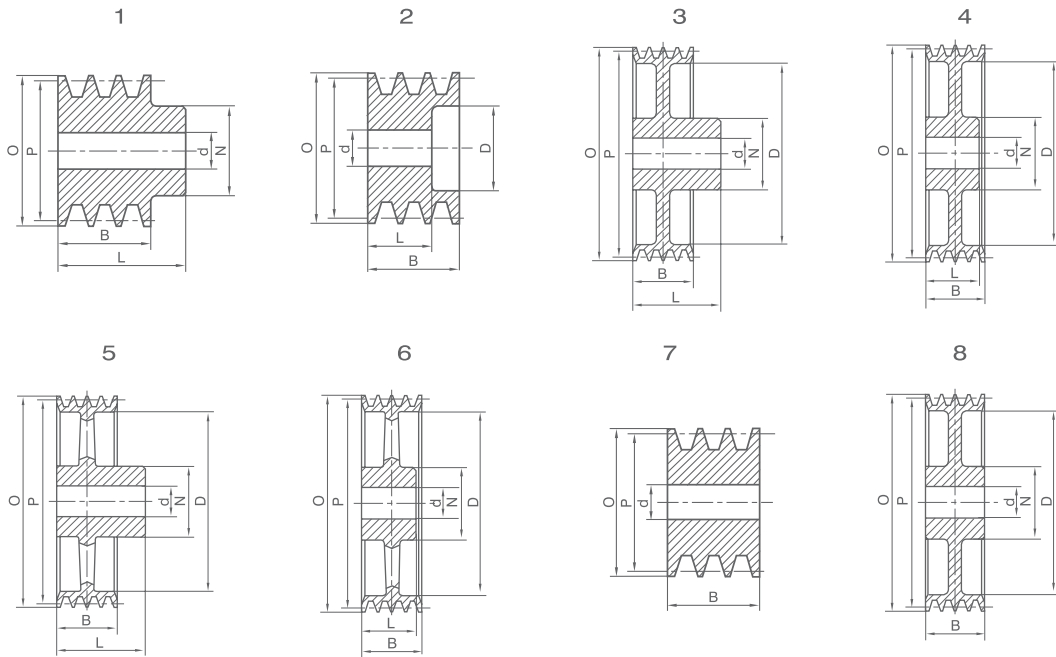
**SPC-1**



PART NO.	NO.OF GROOVES	O.D	R.D	TYPE	N	L	D	E	B	d
SPC100-1S	1	109.6	100	1	60	50	—	—	34	15
SPC120-1S	1	129.6	120	1	65	50	—	—	34	15
SPC140-1S	1	149.6	140	1	70	50	—	—	34	20
SPC150-1S	1	159.6	150	1	70	50	—	—	34	20
SPC160-1S	1	169.6	160	1	72	50	—	—	34	20
SPC180-1S	1	189.6	180	3	76	50	123	16	34	20
SPC200-1S	1	209.6	200	3	76	50	143	16	34	20
SPC225-1S	1	234.6	225	3	86	50	168	16	34	20
SPC250-1S	1	259.6	250	3	86	50	193	16	34	20
SPC280-1S	1	289.6	280	3	86	50	223	16	34	20
SPC300-1S	1	309.6	300	3	86	50	243	16	34	20
SPC315-1S	1	324.6	315	5	92	50	258	16	34	20
SPC340-1S	1	349.6	340	5	100	50	283	16	34	20
SPC355-1S	1	364.6	355	5	110	50	298	16	34	20
SPC400-1S	1	409.6	400	5	110	60	343	18	34	25
SPC450-1S	1	459.6	450	5	110	60	393	18	34	25
SPC500-1S	1	509.6	500	5	114	60	443	18	34	25
SPC560-1S	1	569.6	560	5	114	60	503	20	34	25
SPC600-1S	1	609.6	600	5	114	60	543	20	34	25
SPC630-1S	1	639.6	630	5	114	60	573	20	34	25

**S**<sup>standard</sup>  
**B**<sub>ore</sub> **V-pulleys**

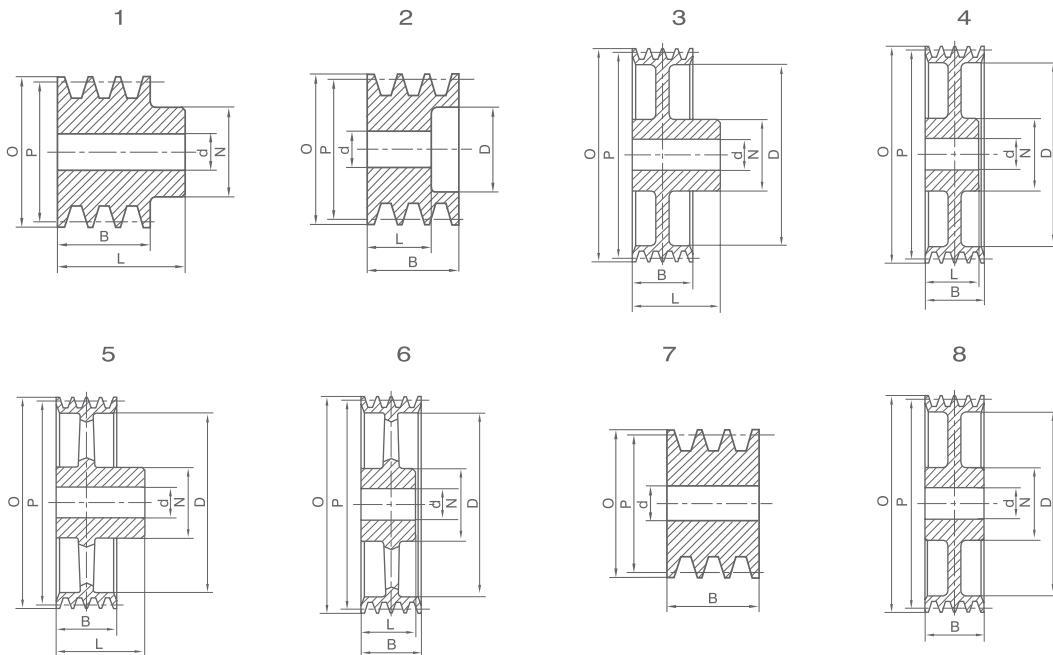
**SPC-2**



PART NO.	NO.OF GROOVES	O.D	P.D	TYPE	N	L	D	E	B	d
SPC120-2S	2	129.6	120	7	—	—	—	—	59.5	15
SPC140-2S	2	149.6	140	7	—	—	—	—	59.5	20
SPC150-2S	2	159.6	150	7	—	—	—	—	59.5	20
SPC160-2S	2	169.6	160	7	—	—	—	—	59.5	20
SPC180-2S	2	189.6	180	3	80	60	123	16	59.5	20
SPC200-2S	2	209.6	200	3	80	60	143	16	59.5	20
SPC225-2S	2	234.6	225	3	88	60	168	18	59.5	20
SPC250-2S	2	259.6	250	3	92	60	193	18	59.5	20
SPC280-2S	2	289.6	280	3	92	60	223	18	59.5	20
SPC300-2S	2	309.6	300	3	92	60	243	18	59.5	20
SPC315-2S	2	324.6	315	5	92	60	258	18	59.5	20
SPC340-2S	2	349.6	340	5	100	60	283	18	59.5	20
SPC355-2S	2	364.6	355	5	110	60	298	18	59.5	25
SPC400-2S	2	409.6	400	5	110	70	343	20	59.5	25
SPC450-2S	2	459.6	450	5	110	70	393	20	59.5	25
SPC500-2S	2	509.6	500	5	114	70	443	20	59.5	25
SPC560-2S	2	569.6	560	5	114	70	503	24	59.5	25
SPC600-2S	2	609.6	600	5	114	70	543	24	59.5	25
SPC630-2S	2	639.6	630	5	114	70	573	24	59.5	25

**S**<sup>standard</sup>  
**B**<sub>ore</sub> **V-pulleys**

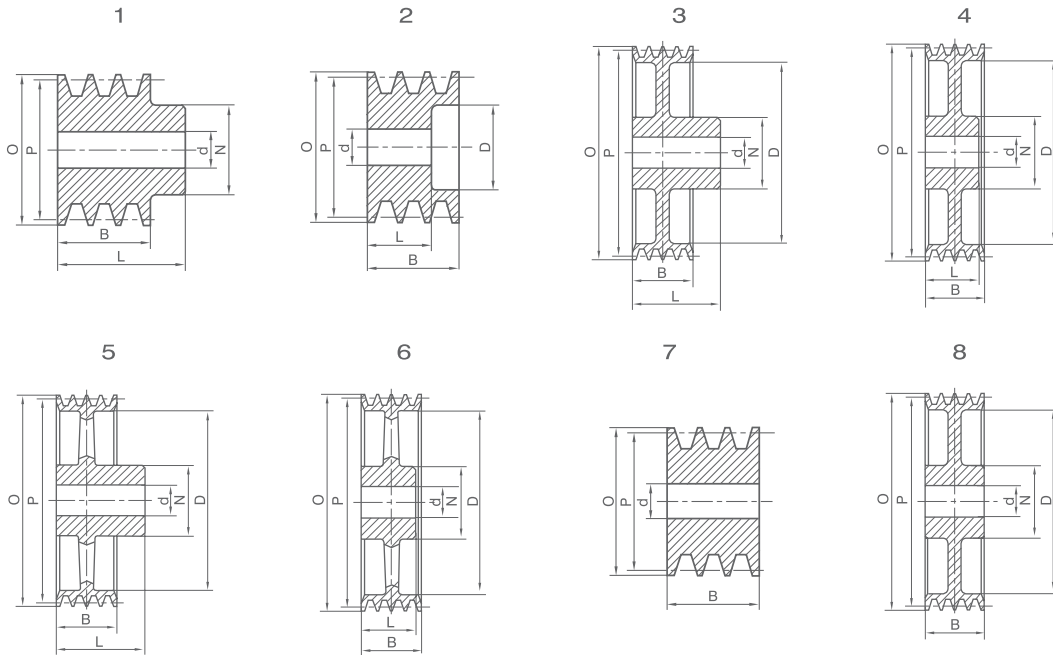
**SPC-3**



PART NO.	NO.OF GROOVES	O.D	R.D	TYPE	N	L	D	E	B	d
SPC140-3S	3	149.6	140	2	—	65	83	—	85	20
SPC150-3S	3	159.6	150	2	—	65	93	—	85	20
SPC160-3S	3	169.6	160	2	—	65	103	—	85	20
SPC180-3S	3	189.6	180	4	82	65	123	18	85	20
SPC200-3S	3	209.6	200	4	86	65	143	18	85	20
SPC225-3S	3	234.6	225	4	90	70	168	21	85	20
SPC250-3S	3	259.6	250	4	92	70	193	21	85	20
SPC280-3S	3	289.6	280	4	92	70	223	21	85	20
SPC300-3S	3	309.6	300	4	92	70	243	21	85	20
SPC315-3S	3	324.6	315	6	92	70	258	22	85	25
SPC340-3S	3	349.6	340	6	100	70	283	22	85	25
SPC355-3S	3	364.6	355	6	110	70	298	22	85	25
SPC400-3S	3	409.6	400	5	114	90	343	24	85	25
SPC450-3S	3	459.6	450	5	114	90	393	24	85	25
SPC500-3S	3	509.6	500	5	114	90	443	24	85	25
SPC560-3S	3	569.6	560	5	114	90	503	28	85	25
SPC600-3S	3	609.6	600	5	114	90	543	28	85	25
SPC630-3S	3	639.6	630	5	114	90	573	28	85	25

**S<sup>standard</sup><sub>B<sub>ore</sub></sub> V-pulleys**

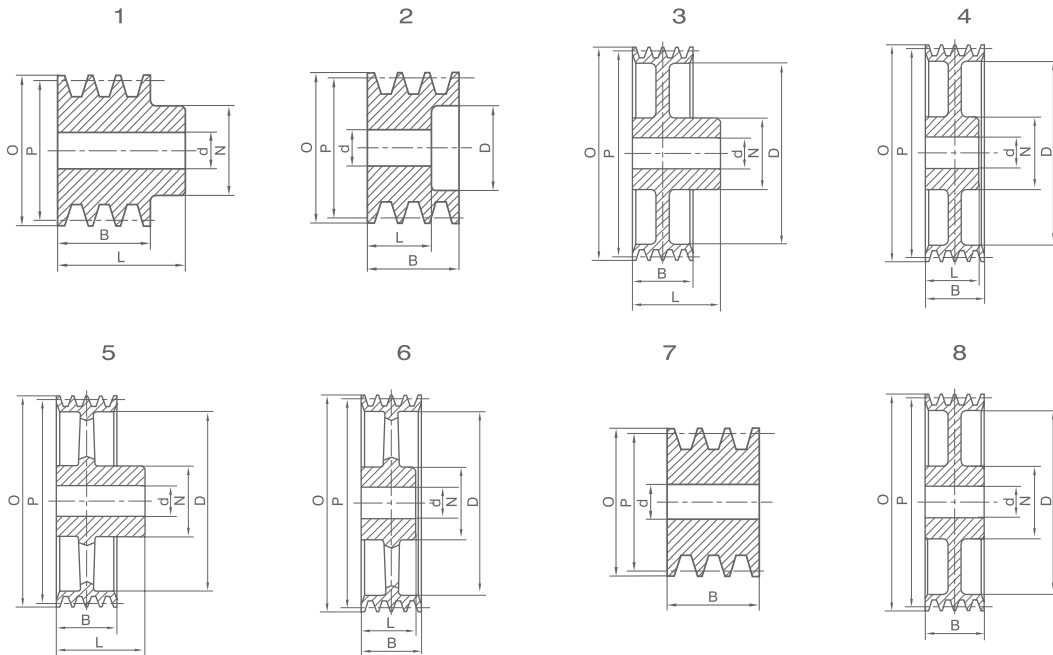
**SPC-4**



PART NO.	NO.OF GROOVES	O.D	P.D	TYPE	N	L	D	E	B	d
SPC140-4S	4	149.6	140	2	—	80	83	—	110.5	20
SPC150-4S	4	159.6	150	2	—	80	93	—	110.5	20
SPC160-4S	4	169.6	160	2	—	80	103	—	110.5	20
SPC180-4S	4	189.6	180	4	82	80	123	20	110.5	20
SPC200-4S	4	209.6	200	4	90	90	143	25	110.5	20
SPC225-4S	4	234.6	225	4	90	90	168	25	110.5	25
SPC250-4S	4	259.6	250	4	100	90	193	25	110.5	25
SPC280-4S	4	289.6	280	4	100	90	223	25	110.5	25
SPC300-4S	4	309.6	300	4	100	90	243	25	110.5	25
SPC315-4S	4	324.6	315	4	110	90	258	25	110.5	25
SPC340-4S	4	349.6	340	6	114	90	283	25	110.5	25
SPC355-4S	4	364.6	355	6	114	90	298	25	110.5	25
SPC400-4S	4	409.6	400	6	114	90	343	26	110.5	25
SPC450-4S	4	459.6	450	6	120	90	393	28	110.5	25
SPC500-4S	4	509.6	500	6	126	90	443	28	110.5	25
SPC560-4S	4	569.6	560	6	130	90	503	30	110.5	25
SPC600-4S	4	609.6	600	6	130	90	543	30	110.5	25
SPC630-4S	4	639.6	630	6	130	90	573	30	110.5	25

**S**<sup>standard</sup>  
**B**<sub>ore</sub> *V-pulleys*

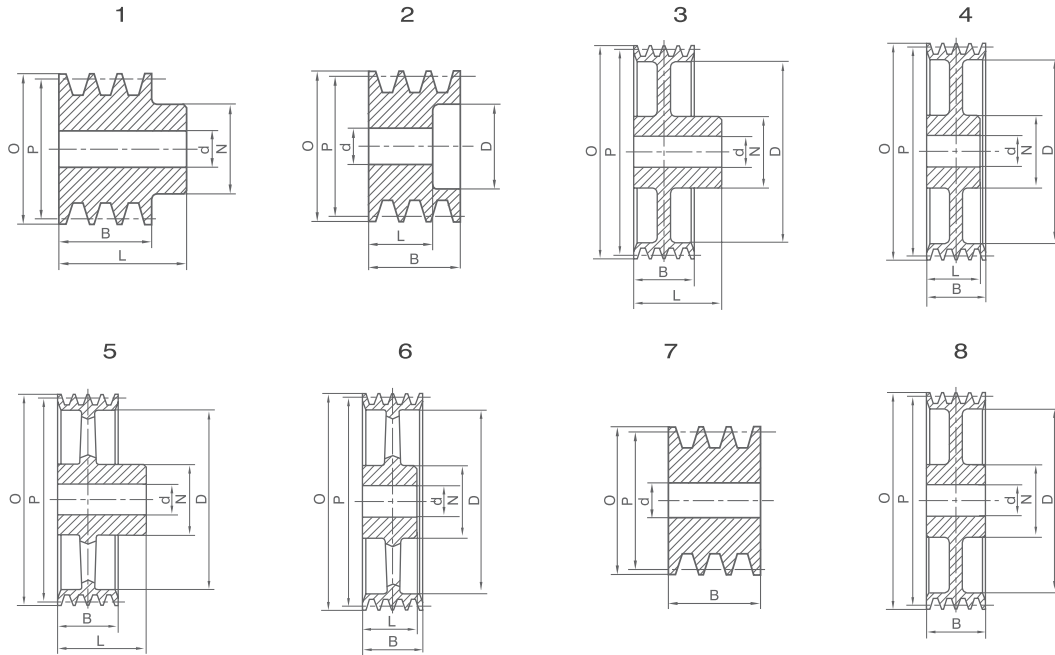
**SPC-4**



PART NO.	NO.OF GROOVES	O.D	R.D	TYPE	N	L	D	E	B	d
SPC150-5S	5	159.6	150	2	—	96	93	—	136	20
SPC160-5S	5	169.6	160	2	—	96	103	—	136	20
SPC180-5S	5	189.6	180	4	82	96	123	20	136	20
SPC200-5S	5	209.6	200	4	90	100	143	25	136	25
SPC225-5S	5	234.6	225	4	90	100	168	25	136	25
SPC250-5S	5	259.6	250	4	102	100	193	25	136	25
SPC280-5S	5	289.6	280	4	102	100	223	25	136	25
SPC300-5S	5	309.6	300	4	104	100	243	25	136	25
SPC315-5S	5	324.6	315	4	112	100	258	25	136	25
SPC340-5S	5	349.6	340	6	114	100	283	28	136	25
SPC355-5S	5	364.6	355	6	114	100	298	28	136	25
SPC400-5S	5	409.6	400	6	120	100	343	28	136	25
SPC450-5S	5	459.6	450	6	120	100	393	30	136	25
SPC500-5S	5	509.6	500	6	126	100	443	30	136	25
SPC560-5S	5	569.6	560	6	130	100	503	32	136	25
SPC600-5S	5	609.6	600	6	130	100	543	32	136	25
SPC630-5S	5	639.6	630	6	130	100	573	32	136	25

**S**<sup>standard</sup>  
**B**<sub>ore</sub> **V-pulleys**

**SPC-6**



PART NO.	NO.OF GROOVES	O.D	P.D	TYPE	N	L	D	E	B	d
SPC160-6S	6	169.6	160	2	—	96	103	—	161.5	20
SPC180-6S	6	189.6	180	4	82	96	123	25	161.5	20
SPC200-6S	6	209.6	200	4	90	100	143	25	161.5	25
SPC225-6S	6	234.6	225	4	90	100	168	25	161.5	25
SPC250-6S	6	259.6	250	4	102	100	193	25	161.5	25
SPC280-6S	6	289.6	280	4	102	100	223	25	161.5	25
SPC300-6S	6	309.6	300	4	104	100	243	25	161.5	25
SPC315-6S	6	324.6	315	4	112	100	258	28	161.5	25
SPC340-6S	6	349.6	340	6	114	100	283	30	161.5	25
SPC355-6S	6	364.6	355	6	114	100	298	30	161.5	25
SPC400-6S	6	409.6	400	6	120	100	343	30	161.5	25
SPC450-6S	6	459.6	450	6	120	100	393	32	161.5	25
SPC500-6S	6	509.6	500	6	126	100	443	32	161.5	25
SPC560-6S	6	569.6	560	6	130	100	503	35	161.5	25
SPC600-6S	6	609.6	600	6	130	100	543	35	161.5	25
SPC630-6S	6	639.6	630	6	130	100	573	35	161.5	25

# **A<sup>djustable</sup> S<sub>peed</sub>** V-pulleys

**BTL**

Adjustable Speed V-Pulleys are V-Pulleys with multi-usage and adjustable speeds, which are available in standard straight and taper lock bores.



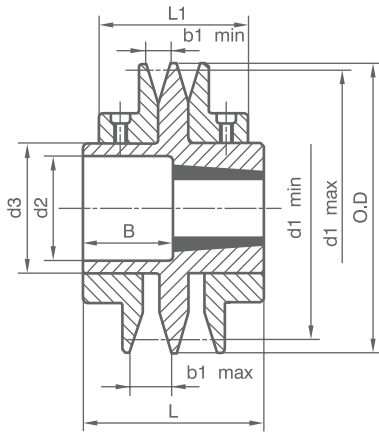
Adjustable Speed V-Pulleys are made of GG25 high-quality grey cast iron or other materials requested by the customers. The pulleys are machined by highly precise CNC, dynamically balanced and black coated. They are of high transmitting precision and efficiency.





**A<sub>s</sub>** <sup>djustable</sup>  
<sub>peed</sub> **V-pulleys**

**BTL**



TYPE 3

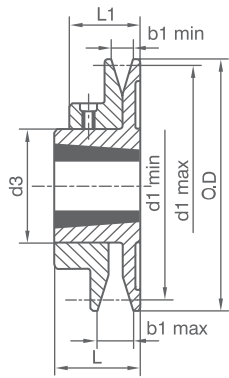


**TB-2**

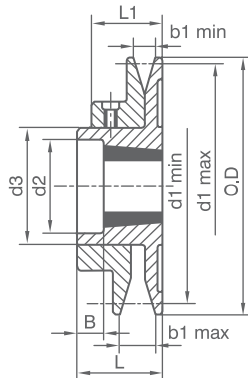
PART NO.	BUSH	O.D	L	L <sub>1</sub>	dmax	b1		d1		set screws	B	d <sub>2</sub>	d <sub>3</sub>	
						min	max	min	max					
TB108-2	1215	108	73	58	32	13	20.5	75 78 80 83	92 100 92 100	M6×6	34.5	48.5	60	Z 10×6 A 13×8 SPZ SPA
TB120-2	1215	120	73	58	32	13	20.5	87 90 92 95	104 112 104 112	M6×6	34.5	48.5	60	Z 10×6 A 13×8 SPZ SPA
TB138-2	1615	138	73	58	42	13	20.5	105 108 110 113	122 130 122 130	M6×6	34.5	58.5	75	Z 10×6 A 13×8 SPZ SPA
TB160-2	1615	160	87	68	42	17	26.5	117 120 122 128	138 150 138 150	M8×8	48.5	58.5	75	A 13×8 B 17×11 SPA SPB
TB180-2	2012	180	87	68	50	17	26.5	137 140 142 148	158 170 158 170	M8×8	54	71	90	A 13×8 B 17×11 SPA SPB
TB200-2	2012	200	87	68	50	17	26.5	157 160 162 168	177 190 177 190	M8×8	54	71	90	A 13×8 B 17×11 SPA SPB

**A<sup>djustable</sup><sub>s</sub> V-pulleys**

**BTL**



TYPE 1



TYPE 2

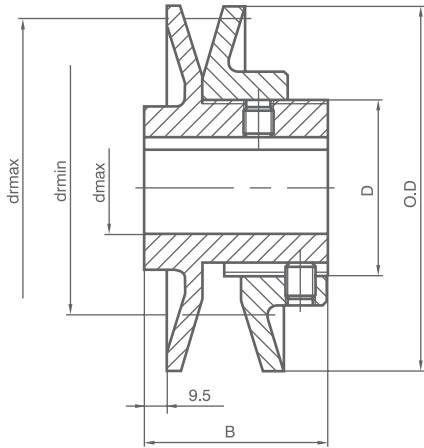


**TB-1**

PART NO.	TYPE	BUSH	O.D	L	L1	dmax	b1		d1		set screws	B	d2	d3	
							min	max	min	max					
TB093-1	2	1108	93	36.5	29	28	13	20.5	60 63	78 85	M6×6	13.5	39	50	Z 10×6 A 13×8
TB108-1	1	1215	108	38	30.5	32	13	20.5	75 78 80 83	92 100 92 100	M6×6	—	—	60	Z 10×6 A 13×8 SPZ SPA
TB120-1	1	1215	120	38	30.5	32	13	20.5	87 90 92 95	104 112 104 112	M6×6	—	—	60	Z 10×6 A 13×8 SPZ SPA
TB138-1	1	1615	138	38	30.5	42	13	20.5	105 108 110 113	122 130 122 130	M6×6	—	—	75	Z 10×6 A 13×8 SPZ SPA
TB160-1	2	1615	160	45	35.5	42	17	26.5	117 120 122 128	138 150 138 150	M8×8	6.5	58	75	A 13×8 B 17×11 SPA SPB
TB180-1	2	2012	180	45	35.5	50	17	26.5	137 140 142 148	158 170 158 170	M8×8	12.5	71	90	A 13×8 B 17×11 SPA SPB
TB200-1	2	2012	200	45	35.5	50	17	26.5	157 160 162 168	177 190 177 190	M8×8	12.5	71	90	A 13×8 B 17×11 SPA SPB

**A<sub>s</sub>**<sup>djustable</sup><sub>peed</sub> **V-pulleys**

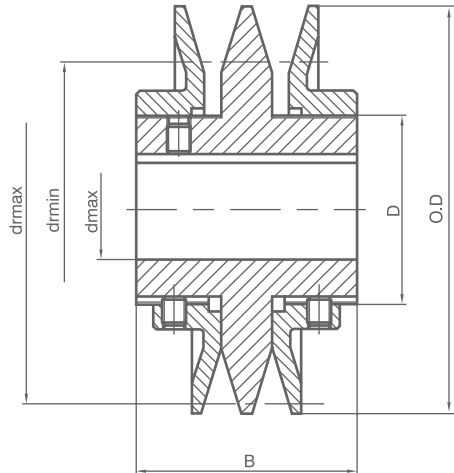
**SB-1**



PART NO.	O.D	D	Bore dmax	B	set screws	dr			kg
						min	max		
SB083-1	83	40	22	48	M6 x 6	58	72	SPZ Z 10 x 6	0.90
						53	72		
SB093-1	93	45	26	48	M6 x 6	65	78	SPZ SPA Z 10 x 6 A 13 x 8	1.03
						68	85		
						60	78		
						63	85		
SB108-1	108	50	28	48	M6 x 6	80	93	SPZ SPA Z 10 x 6 A 13 x 8	1.65
						83	100		
						75	93		
						78	100		
SB120-1	120	55	28	48	M6 x 6	92	104	SPZ SPA Z 10 x 6 A 13 x 8	1.75
						95	112		
						87	104		
						90	112		
SB138-1	138	55	36	48	M6 x 6	110	122	SPZ SPA SPB Z 10 x 6 A 13 x 8 B 17 x 11	2.60
						113	130		
						119	131		
						115	122		
						108	130		
						111	128		
SB160-1	160	80	52	53	M8 x 8	119	133	SPZ SPA SPB Z 10 x 6 A 13 x 8 B 17 x 11	4.50
						122	140		
						128	150		
						113	133		
						117	138		
						120	150		
SB180-1	180	80	52	53	M8 x 8	142	160	SPA SPB A 13 x 8 B 17 x 11	5.40
						148	170		
						137	158		
						140	170		

**A<sub>s</sub><sup>djustable</sup><sub>peed</sub> V-pulleys**

**SB-2**



PART NO.	O.D	D	Bore dmax	B	set screws	dr			kg
						min	max		
SB083-2	83	40	22	76	M6 x 6	58	72	SPZ Z 10 x 6	1.50
						53	72		
SB093-2	93	45	26	76	M6 x 6	65	78	SPZ SPA Z 10 x 6 A 13 x 8	1.75
						68	85		
						60	78		
						63	85		
SB108-2	108	50	28	76	M6 x 6	80	93	SPZ SPA Z 10 x 6 A 13 x 8	2..15
						83	100		
						75	93		
						78	100		
SB120-2	120	55	28	76	M6 x 6	92	104	SPZ SPA Z 10 x 6 A 13 x 8	2.70
						95	112		
						87	104		
						90	112		
SB138-2	138	55	36	76	M6 x 6	110	122	SPZ SPA SPB Z 10 x 6 A 13 x 8 B 17 x 11	4.50
						113	130		
						119	131		
						115	122		
						108	130		
						111	128		
SB160-2	160	80	52	90	M8 x 8	119	133	SPZ SPA SPB Z 10 x 6 A 13 x 8 B 17 x 11	7.50
						122	140		
						128	150		
						113	133		
						117	138		
						120	150		
SB180-2	180	80	52	90	M8 x 8	142	160	SPA SPB A 13 x 8 B 17 x 11	9.20
						148	170		
						137	158		
						140	170		

## **M<sup>ulti</sup> -W<sub>edged</sub>** pulleys

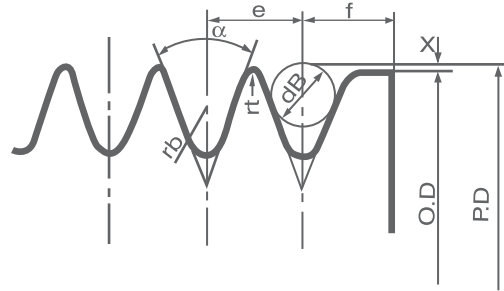
**CHSSB can supply the whole series of multi-wedge pulleys (J3-M20) from DP 20mm to 710mm. The pulleys are available in standard straight and taper lock bores.**

**Multi-wedged pulleys are made of GG25, GGG45, S45C or other materials requested.**


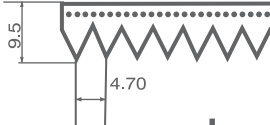
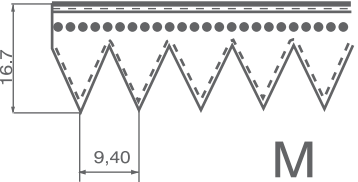


**The pulleys are machined by high precise CNC. They are dynamically balanced and black coated. They precise steady and smooth and are suitable for all kinds of high speed and heavy loaded transmission equipments. They can also be used on auto motors. CHSSB can manufacture specially designed multi-wedged pulleys according to customers' requests .**

# M<sup>ulti</sup>-W<sup>edged</sup> pulleys



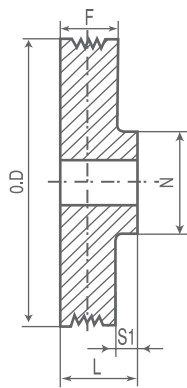
## J - L - M

	 J	 L	 M
a°	40±0.5	40±0.5	40±0.5
x	0.34	1.33	2.46
e	2.34±0.03	4.70±0.05	9.40±0.05
f	0.32±0.07	0.48±0.08	0.85±0.10
rb(max)	0.40	0.60	0.75
f	3±0.5	10±1.0	14±1.0
dB	1.5±0.01	3.5±0.01	7±0.01

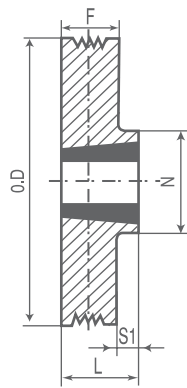
O.D	
<Φ74	0.13
Φ74~Φ250	0.25
>Φ250	0.25+( -250) x 0.0004

O.D	
<Φ74	±0.25
Φ74~Φ200	±0.50
>Φ200	±{0.50+( -200) x 0.002}

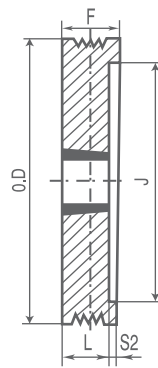
**M<sup>ulti</sup>**  
**-W<sub>edged</sub>** *pulleys*



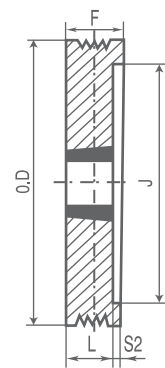
1S



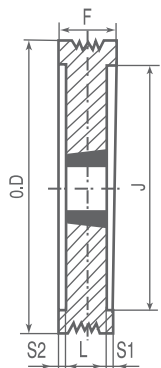
1



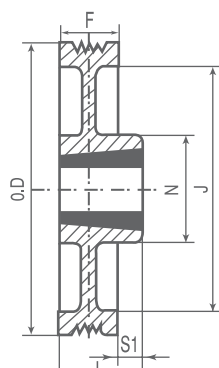
3A



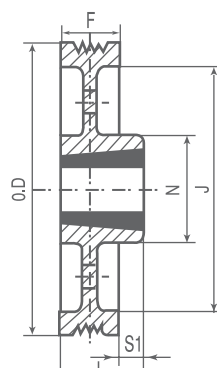
3B



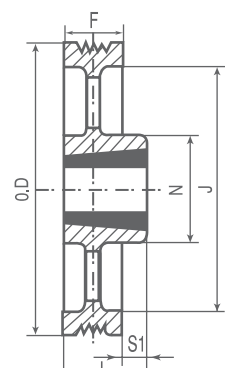
4



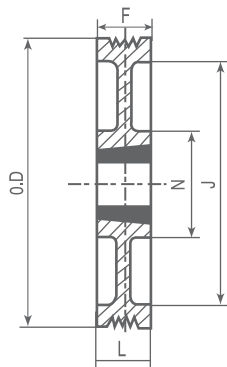
5A



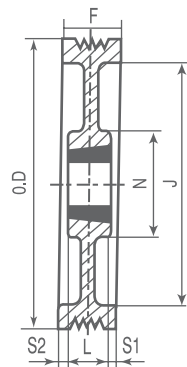
5B



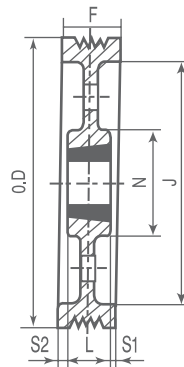
5C



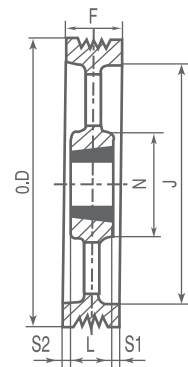
6A



7A



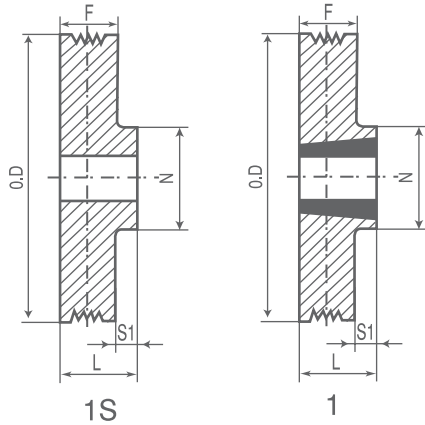
7B



7C

**M<sup>ulti</sup>-W<sup>edged</sup> pulleys**

**J3**



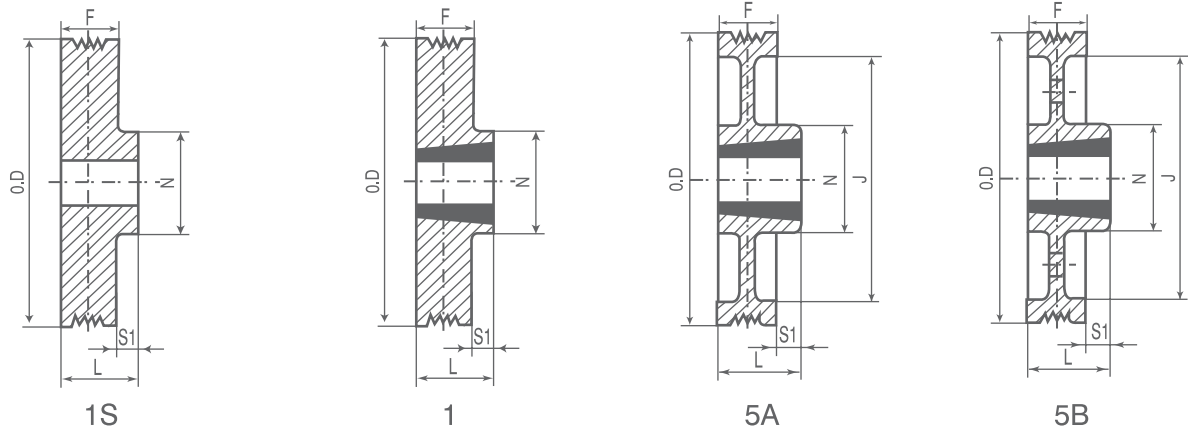
PART NO.	Bushing	O.D	TYPE	N	J	F	L	E	S1	S2	kg
PV20J3	—	20	1S	15	—	11	25	—	14	—	0.05
PV25J3	—	25	1S	22	—	11	25	—	14	—	0.07
PV28J3	—	28	1S	25	—	11	25	—	14	—	0.09
PV32J3	—	32	1S	28	—	11	25	—	14	—	0.12
PV36J3	—	36	1S	32	—	11	25	—	14	—	0.16
PV40J3	—	40	1S	35	—	11	25	—	14	—	0.19
PV45J3	—	45	1S	40	—	11	25	—	14	—	0.25
PV50J3	—	50	1S	45	—	11	25	—	14	—	0.31
PV56J3	—	56	1S	51	—	11	25	—	14	—	0.40
PV63J3	1108	63	1	60	—	11	22	—	11	—	0.30
PV71J3	1108	71	1	60	—	11	22	—	11	—	0.42
PV75J3	1108	75	1	60	—	11	22	—	11	—	0.43
PV80J3	1108	80	1	60	—	11	22	—	11	—	0.45
PV85J3	1108	85	1	60	—	11	22	—	11	—	0.51
PV90J3	1108	90	1	60	—	11	22	—	11	—	0.56
PV95J3	1108	95	1	60	—	11	22	—	11	—	0.63
PV100J3	1108	100	1	60	—	11	22	—	11	—	0.68
PV112J3	1310	112	1	80	—	11	25	—	14	—	0.96
PV125J3	1310	125	1	80	—	11	25	—	14	—	1.15
PV140J3	1310	140	1	80	—	11	25	—	14	—	1.40
PV160J3	1610	160	1	85	—	11	25	—	14	—	1.74
PV200J3	2012	200	1	105	—	11	32	—	21	—	3.01

Bushing	Stock Bores																					
	10	11	12	14	16	18	19	20	22	24	25	28	30	32	35	38	40	42	45	48	50	
1108	●	●	●	●	●	●	●	●	●	●	●	△										
1310				●	●	●	●	●	●	●	●	●	●	●	●							
1610				●	●	●	●	●	●	●	●	●	●	●	●	●	●	△				
2012					●	●	●	●	●	●	●	●	●	●	●	●	●	●	●	●	●	●



**M<sup>ulti</sup>-W<sup>edged</sup> pulleys**

**J4**

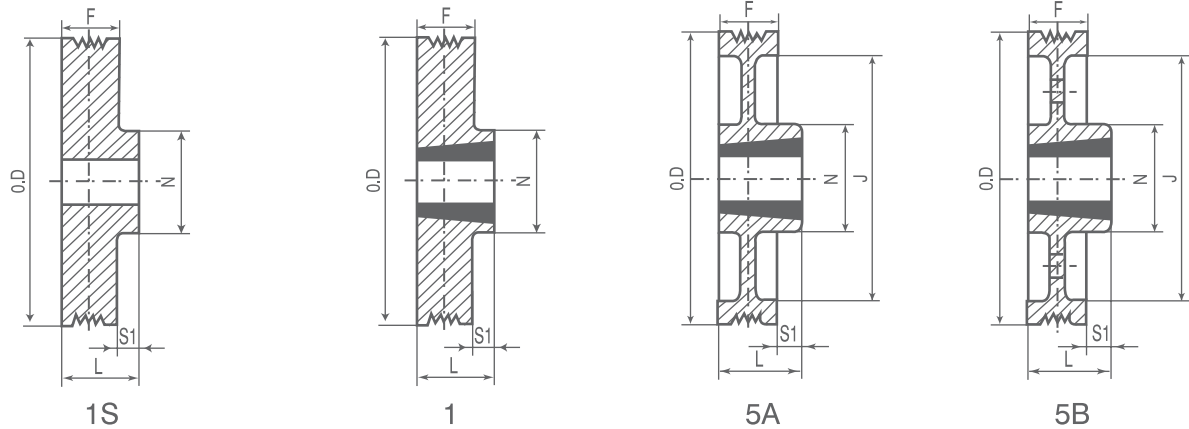


PART NO.	Bushing	OD	TYPE	N	J	F	L	E	S1	S2	kg
PV20J4	—	20	1S	15	—	13	25	—	12	—	0.05
PV25J4	—	25	1S	22	—	13	25	—	12	—	0.07
PV28J4	—	28	1S	25	—	13	25	—	12	—	0.09
PV32J4	—	32	1S	28	—	13	25	—	12	—	0.12
PV36J4	—	36	1S	32	—	13	25	—	12	—	0.16
PV40J4	—	40	1S	35	—	13	25	—	12	—	0.19
PV45J4	—	45	1S	40	—	13	25	—	12	—	0.25
PV50J4	—	50	1S	45	—	13	25	—	12	—	0.32
PV56J4	—	56	1S	51	—	13	25	—	12	—	0.40
PV63J4	1108	63	1	60	—	13	22	—	9	—	0.30
PV71J4	1108	71	1	60	—	13	22	—	9	—	0.42
PV75J4	1108	75	1	60	—	13	22	—	9	—	0.46
PV80J4	1108	80	1	60	—	13	22	—	9	—	0.49
PV85J4	1108	85	1	60	—	13	22	—	9	—	0.57
PV90J4	1108	90	1	60	—	13	22	—	9	—	0.61
PV95J4	1108	95	1	60	—	13	22	—	9	—	0.71
PV100J4	1108	100	1	60	—	13	22	—	9	—	0.76
PV112J4	1310	112	1	80	—	13	25	—	12	—	1.03
PV125J4	1310	125	1	80	—	13	25	—	12	—	1.27
PV140J4	1310	140	1	80	—	13	25	—	12	—	1.57
PV160J4	1610	160	1	85	—	13	25	—	12	—	1.98
PV200J4	2012	200	5A	105	184	13	32	8	19	—	2.63
PV250J4	2012	250	5A	105	234	13	32	8	19	—	3.62
PV315J4	2012	315	5B	105	293	13	32	8	19	—	4.46

Bushing	Stock Bores																				
	10	11	12	14	16	18	19	20	22	24	25	28	30	32	35	38	40	42	45	48	50
1108	●	●	●	●	●	●	●	●	●	●	●	△									
1310				●	●	●	●	●	●	●	●	●	●	●	●						
1610				●	●	●	●	●	●	●	●	●	●	●	●	●	●	△			
2012					●	●	●	●	●	●	●	●	●	●	●	●	●	●	●	●	●

**M<sup>ulti</sup>-W<sup>edged</sup> pulleys**

**J5**

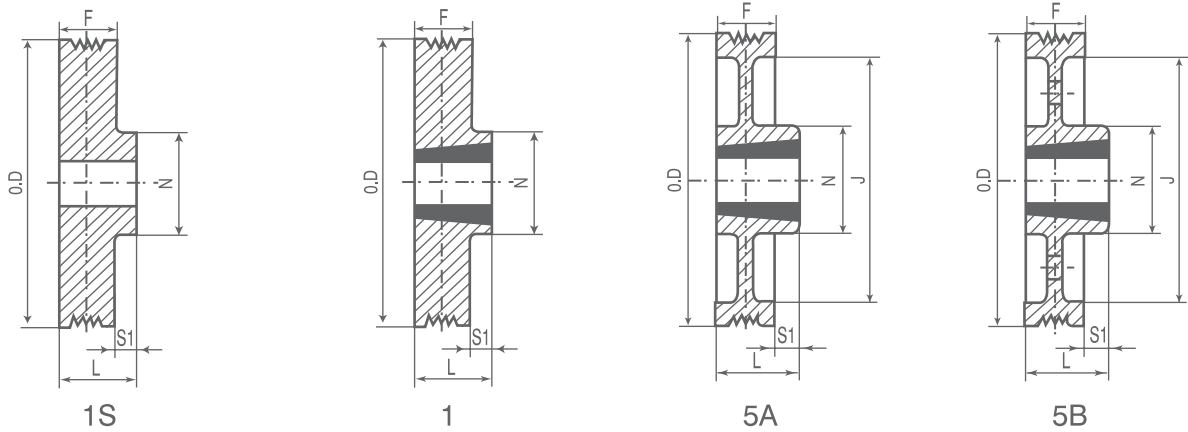


PART NO.	Bushing	O.D	TYPE	N	J	F	L	E	S1	S2	kg
PV20J5	—	20	1S	15	—	16	30	—	14	—	0.08
PV25J5	—	25	1S	22	—	16	30	—	14	—	0.09
PV28J5	—	28	1S	25	—	16	30	—	14	—	0.12
PV32J5	—	32	1S	28	—	16	30	—	14	—	0.14
PV36J5	—	36	1S	32	—	16	30	—	14	—	0.19
PV40J5	—	40	1S	35	—	16	30	—	14	—	0.23
PV45J5	—	45	1S	40	—	16	30	—	14	—	0.30
PV50J5	—	50	1S	45	—	16	30	—	14	—	0.38
PV56J5	—	56	1S	51	—	16	30	—	14	—	0.48
PV63J5	1108	63	1	60	—	16	22	—	6	—	0.30
PV71J5	1108	71	1	60	—	16	22	—	6	—	0.43
PV75J5	1108	75	1	60	—	16	22	—	6	—	0.48
PV80J5	1108	80	1	60	—	16	22	—	6	—	0.52
PV85J5	1108	85	1	60	—	16	22	—	6	—	0.63
PV90J5	1108	90	1	60	—	16	22	—	6	—	0.67
PV95J5	1108	95	1	60	—	16	22	—	6	—	0.25
PV100J5	1108	100	1	60	—	16	22	—	6	—	0.84
PV112J5	1310	112	1	80	—	16	25	—	9	—	1.11
PV125J5	1310	125	1	80	—	16	25	—	9	—	1.39
PV140J5	1310	140	1	80	—	16	25	—	9	—	1.25
PV160J5	1610	160	1	85	—	16	25	—	9	—	2.23
PV200J5	2012	200	5A	105	184	16	32	10	16	—	2.73
PV250J5	2012	250	5A	105	234	16	32	10	16	—	3.74
PV315J5	2012	315	5B	105	293	16	32	10	16	—	4.61

Bushing	Stock Bores																					
	10	11	12	14	16	18	19	20	22	24	25	28	30	32	35	38	40	42	45	48	50	
1108	●	●	●	●	●	●	●	●	●	●	●	△										
1310				●	●	●	●	●	●	●	●	●	●	●	△							
1610				●	●	●	●	●	●	●	●	●	●	●	●	●	△	△				
2012					●	●	●	●	●	●	●	●	●	●	●	●	●	●	●	●	●	△

**M<sup>ulti</sup>-W<sup>edged</sup> pulleys**

**J6**

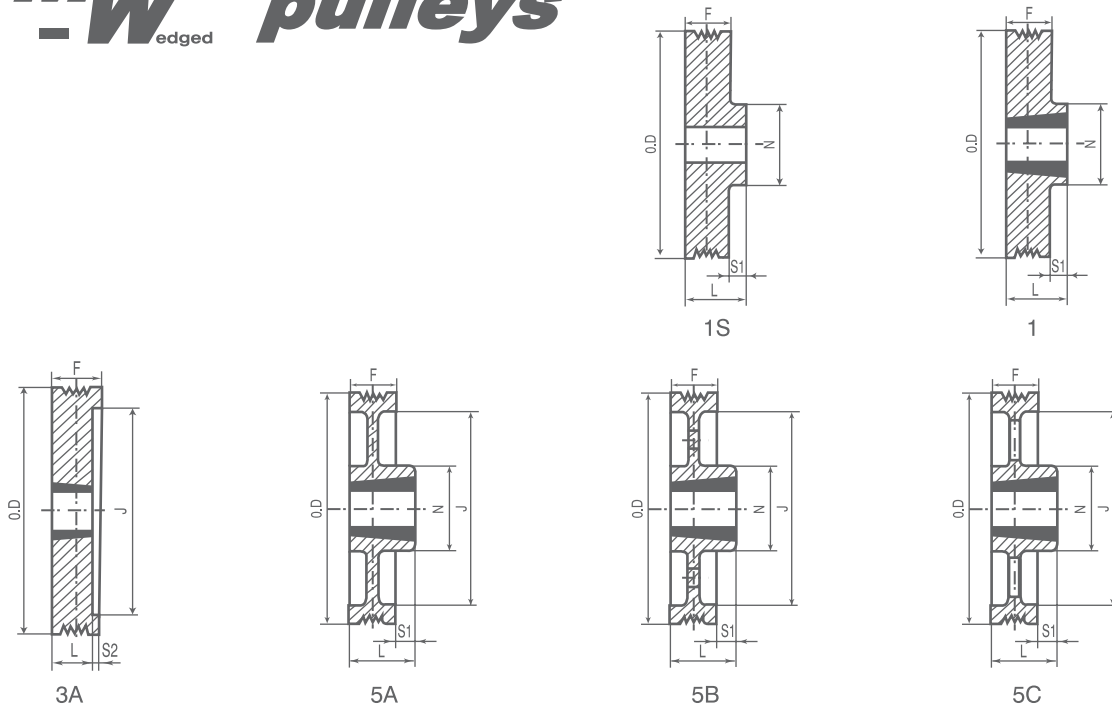


PART NO.	Bushing	O.D	TYPE	N	J	F	L	E	S1	S2	kg
PV20J6	—	20	1S	15	—	18	30	—	12	—	0.09
PV25J6	—	25	1S	22	—	18	30	—	12	—	0.10
PV28J6	—	28	1S	25	—	18	30	—	12	—	0.13
PV32J6	—	32	1S	28	—	18	30	—	12	—	0.14
PV36J6	—	36	1S	32	—	18	30	—	12	—	0.19
PV40J6	—	40	1S	35	—	18	30	—	12	—	0.23
PV45J6	—	45	1S	40	—	18	30	—	12	—	0.30
PV50J6	—	50	1S	45	—	18	30	—	12	—	0.38
PV56J6	—	56	1S	51	—	18	30	—	12	—	0.49
PV63J6	1108	63	1	60	—	18	22	—	4	—	0.31
PV71J6	1108	71	1	60	—	18	22	—	4	—	0.44
PV75J6	1108	75	1	60	—	18	22	—	4	—	0.49
PV80J6	1108	80	1	60	—	18	22	—	4	—	0.56
PV85J6	1108	85	1	60	—	18	22	—	4	—	0.68
PV90J6	1108	90	1	60	—	18	22	—	4	—	0.74
PV95J6	1108	95	1	60	—	18	22	—	4	—	0.87
PV100J6	1108	100	1	60	—	18	22	—	4	—	0.93
PV112J6	1310	112	1	80	—	18	25	—	7	—	1.20
PV125J6	1310	125	1	80	—	18	25	—	7	—	1.52
PV140J6	1310	140	1	80	—	18	25	—	7	—	1.94
PV160J6	1610	160	1	85	—	18	25	—	7	—	2.50
PV200J6	2012	200	5A	105	184	18	32	10	14	—	2.82
PV250J6	2012	250	5A	105	234	18	32	10	14	—	3.86
PV315J6	2012	315	5B	105	293	18	32	10	14	—	4.76

Bushing	Stock Bores																					
	10	11	12	14	16	18	19	20	22	24	25	28	30	32	35	38	40	42	45	48	50	
1108	●	●	●	●	●	●	●	●	●	●	●	△										
1310				●	●	●	●	●	●	●	●	●	●	●	●							
1610				●	●	●	●	●	●	●	●	●	●	●	●	●	●	△				
2012					●	●	●	●	●	●	●	●	●	●	●	●	●	●	●	●	●	●

**M<sup>ulti</sup>-W<sup>edged</sup> pulleys**

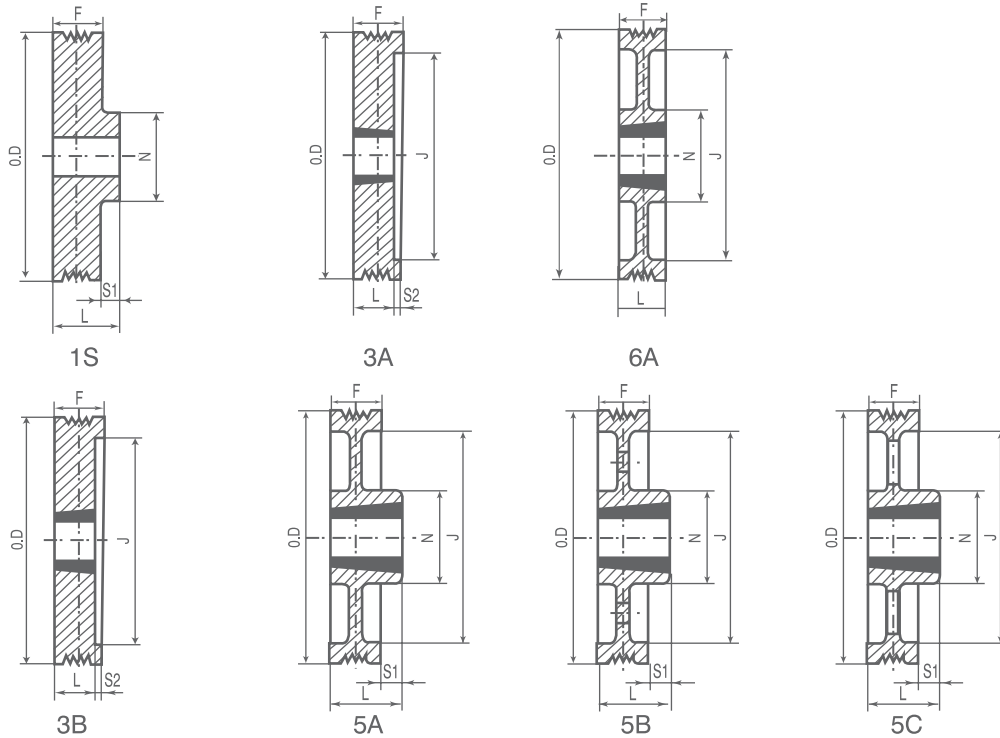
**J8**



PART NO.	Bushing	O.D	TYPE	N	J	F	L	E	S1	S2	kg
PV20J8	—	20	1S	15	—	23	30	—	7	—	0.02
PV25J8	—	25	1S	22	—	23	30	—	7	—	0.03
PV28J8	—	28	1S	25	—	23	30	—	7	—	0.05
PV32J8	—	32	1S	28	—	23	30	—	7	—	0.06
PV36J8	—	36	1S	32	—	23	30	—	7	—	0.08
PV40J8	—	40	1S	35	—	23	30	—	7	—	0.10
PV45J8	—	45	1S	40	—	23	30	—	7	—	0.13
PV50J8	—	50	1S	45	—	23	30	—	7	—	0.16
PV56J8	—	56	1S	51	—	23	30	—	7	—	0.28
PV63J8	1108	63	3A	—	46	23	22	—	—	1	0.4
PV71J8	1210	71	1	65	—	23	25	—	2	—	0.48
PV75J8	1210	75	1	70	—	23	25	—	2	—	0.58
PV80J8	1210	80	1	70	—	23	25	—	2	—	0.68
PV85J8	1210	85	1	75	—	23	25	—	2	—	0.79
PV90J8	1210	90	1	75	—	23	25	—	2	—	0.78
PV95J8	1610	95	1	85	—	23	25	—	2	—	0.91
PV100J8	1610	100	1	85	—	23	25	—	2	—	1.06
PV106J8	1610	106	1	85	—	23	25	—	2	—	1.3
PV112J8	1610	112	1	85	—	23	25	—	2	—	1.47
PV118J8	1610	118	1	85	—	23	25	—	2	—	1.65
PV125J8	1610	125	1	85	—	23	25	—	2	—	1.7
PV132J8	1610	132	1	85	—	23	25	—	2	—	1.8
PV140J8	1610	140	1	85	—	23	25	—	2	—	1.93
PV160J8	2012	160	1	105	—	23	32	—	9	—	1.95
PV180J8	2012	180	5A	105	164	23	32	12	9	—	2.3
PV200J8	2012	200	5A	105	184	23	32	12	9	—	2.42
PV224J8	2012	224	5A	105	208	23	32	12	9	—	2.66
PV250J8	2012	250	5A	105	234	23	32	12	9	—	3.26
PV280J8	2012	280	5B	105	264	23	32	12	9	—	5.2
PV315J8	2517	315	5B	120	293	23	45	15	22	—	5.8
PV355J8	2517	355	5C	120	333	23	45	14	22	—	6.0
PV400J8	2517	400	5C	120	378	23	45	14	22	—	6.5

**M<sup>ulti</sup>  
-W<sub>edged</sub> pulleys**

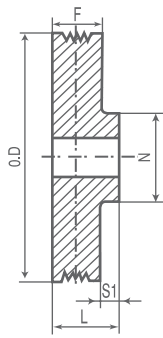
**J12**



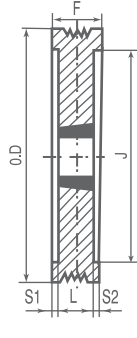
PART NO.	Bushing	O.D	TYPE	N	J	F	L	E	S1	S2	kg
PV32J12	—	32	1S	28	—	32	40	—	8	—	0.06
PV36J12	—	36	1S	32	—	32	40	—	8	—	0.09
PV40J12	—	40	1S	35	—	32	40	—	8	—	0.10
PV45J12	—	45	1S	40	—	32	40	—	8	—	0.13
PV50J12	—	50	1S	45	—	32	40	—	8	—	0.17
PV56J12	—	56	1S	51	—	32	40	—	8	—	0.21
PV63J12	1108	63	3B	—	46	32	22	—	—	10	0.33
PV71J12	1210	71	3B	—	56	32	25	—	—	7	0.44
PV75J12	1210	75	3B	—	60	32	25	—	—	7	0.54
PV80J12	1210	80	3B	—	65	32	25	—	—	7	0.7
PV85J12	1210	85	3B	—	69	32	25	—	—	7	0.76
PV90J12	1610	90	3B	—	74	32	25	—	—	7	0.88
PV95J12	1610	95	3B	—	79	32	25	—	—	7	0.96
PV100J12	1610	100	3B	—	84	32	25	—	—	7	1.0
PV106J12	1610	106	3B	—	90	32	25	—	—	7	1.2
PV112J12	1610	112	3B	—	96	32	25	—	—	7	1.37
PV118J12	1610	118	3B	—	102	32	25	—	—	7	1.45
PV125J12	1610	125	3B	—	109	32	25	—	—	7	1.75
PV132J12	2012	132	3B	—	115	32	32	—	—	—	1.85
PV140J12	2012	140	3B	—	125	32	32	—	—	—	2.15
PV160J12	2012	160	3B	—	144	32	32	—	—	—	2.4
PV180J12	2012	180	6A	105	164	32	32	12	—	—	2.62
PV200J12	2517	200	6A	120	184	32	32	12	—	—	3.54
PV224J12	2517	224	5A	120	208	32	45	12	13	—	3.85
PV250J12	2517	250	5A	120	234	32	45	12	13	—	4.0
PV280J12	2517	280	5B	120	264	32	45	12	13	—	4.7
PV315J12	2517	315	5B	120	293	32	45	12	13	—	5.2
PV355J12	2517	355	5C	120	333	32	45	14	13	—	6.0
PV400J12	2517	400	5C	120	378	32	45	14	13	—	7.0

**M<sup>ulti</sup>-W<sup>edged</sup> pulleys**

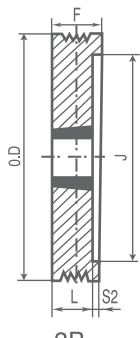
**J16**



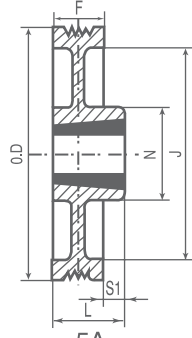
1S



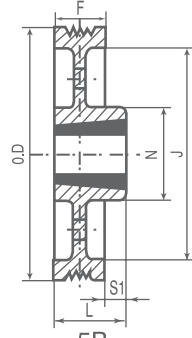
4



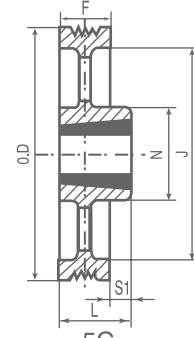
3B



5A



5B

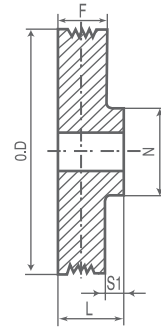


5C

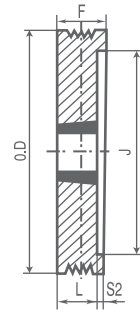
PART NO.	Bushing	O.D	TYPE	N	J	F	L	E	S1	S2	kg
PV45J16	—	45	1S	40	—	42	48	—	6	—	0.18
PV50J16	—	50	1S	45	—	42	48	—	6	—	0.21
PV56J16	—	56	1S	51	—	42	48	—	6	—	0.26
PV63J16	1108	63	4	—	46	42	22	—	10	10	0.4
PV71J16	1210	71	4	—	56	42	25	—	8.5	8.5	0.5
PV75J16	1210	75	4	—	60	42	25	—	8.5	8.5	0.62
PV80J16	1210	80	4	—	65	42	25	—	8.5	8.5	0.24
PV85J16	1210	85	4	—	69	42	25	—	8.5	8.5	0.87
PV90J16	1610	90	4	—	74	42	25	—	8.5	8.5	0.98
PV95J16	1610	95	4	—	79	42	25	—	8.5	8.5	1.0
PV100J16	1610	100	4	—	84	42	25	—	8.5	8.5	1.0
PV106J16	1610	106	4	—	90	42	25	—	8.5	8.5	1.3
PV112J16	2012	112	3B	—	96	42	32	—	10	—	1.5
PV118J16	2012	118	3B	—	102	42	32	—	10	—	1.8
PV125J16	2012	125	3B	—	109	42	32	—	10	—	2.0
PV132J16	2012	132	3B	—	115	42	32	—	10	—	2.3
PV140J16	2012	140	3B	—	125	42	32	—	10	—	2.6
PV160J16	2012	160	3B	—	144	42	32	—	10	—	3.5
PV180J16	2517	180	5A	120	164	42	45	12	3	—	4.4
PV200J16	2517	200	5A	120	184	42	45	12	3	—	4.7
PV224J16	2517	224	5A	120	208	42	45	12	3	—	4.8
PV250J16	2517	250	5A	120	234	42	45	12	3	—	5.1
PV280J16	2517	280	5B	120	264	42	45	12	3	—	5.3
PV315J16	2517	315	5B	120	293	42	45	12	3	—	6.0
PV355J16	2517	355	5C	120	333	42	45	14	3	—	7.1
PV400J16	2517	400	5C	120	378	42	45	14	3	—	8.7

**M<sup>ulti</sup>-W<sup>edged</sup> pulleys**

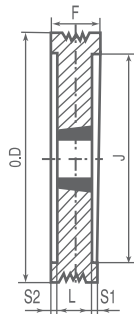
**J20**



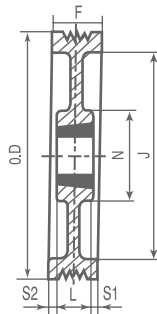
1S



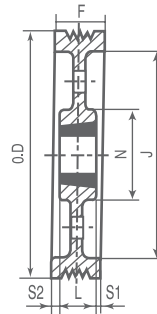
3B



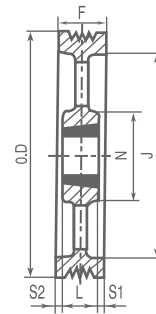
4



7A



7B

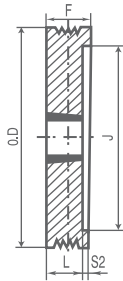


7C

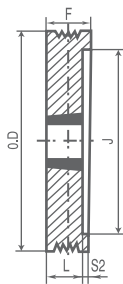
PART NO.	Bushing	O.D	TYPE	N	J	F	L	E	S1	S2	kg
PV45J20	—	45	1S	40	—	51	58	—	7	—	0.2
PV50J20	—	50	1S	45	—	51	58	—	7	—	0.26
PV56J20	—	56	1S	51	—	51	58	—	7	—	0.33
PV63J20	—	63	1S	55	—	51	58	—	7	—	0.41
PV71J20	1210	71	4	—	56	51	25	—	13	13	0.63
PV75J20	1210	75	4	—	60	51	25	—	13	13	0.71
PV80J20	1210	80	4	—	65	51	25	—	13	13	0.83
PV85J20	1210	85	4	—	69	51	25	—	13	13	1.0
PV90J20	1210	90	4	—	72	51	25	—	13	13	1.1
PV95J20	1610	95	4	—	79	51	25	—	13	13	1.3
PV100J20	1610	100	4	—	84	51	25	—	13	13	1.5
PV106J20	1610	106	4	—	90	51	25	—	13	13	1.7
PV112J20	2012	112	4	—	96	51	32	—	9.5	9.5	1.9
PV118J20	2012	118	4	—	102	51	32	—	9.5	9.5	2.1
PV125J20	2517	125	3B	—	109	51	45	—	—	6	2.7
PV132J20	2517	132	3B	—	115	51	45	—	—	6	3.2
PV140J20	2517	140	3B	—	125	51	45	—	—	6	4.6
PV160J20	2517	160	3B	—	144	51	45	—	—	6	5.0
PV180J20	2517	180	3B	—	164	51	45	—	—	6	5.4
PV200J20	2517	200	7A	120	184	51	45	12	—	6	7.2
PV224J20	3020	224	7A	145	208	51	51	12	—	0	7.8
PV250J20	3020	250	7A	145	234	51	51	12	—	0	8.3
PV280J20	3020	280	7B	145	264	51	51	14	—	0	9.5
PV315J20	3020	315	7B	145	293	51	51	14	—	0	4.0
PV355J20	3020	355	7C	145	333	51	51	16	—	0	13.2
PV400J20	3020	400	7C	145	378	51	51	16	—	0	15.3

**M<sup>ulti</sup>-W<sup>edged</sup> pulleys**

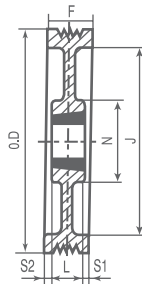
**L5**



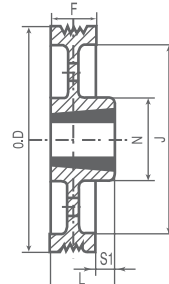
3A



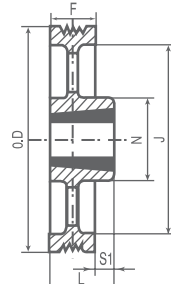
3B



7A



5B



5C

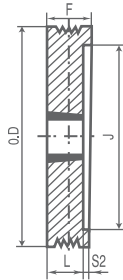
PART NO.	Bushing	O.D	TYPE	N	J	F	L	E	S1	S2	kg
PV80L5	1210	80	3A	—	58	39	25	—	—	14	0.76
PV85L5	1210	85	3A	—	59	39	25	—	—	14	0.88
PV90L5	1610	90	3A	—	68	39	25	—	—	14	0.94
PV95L5	1610	95	3A	—	70	39	25	—	—	14	1.15
PV100L5	1610	100	3A	—	71	39	25	—	—	14	1.24
PV106L5	1610	106	3B	—	73	39	25	—	—	14	1.43
PV112L5	1610	112	3B	—	79	39	25	—	—	14	1.67
PV118L5	1610	118	3B	—	89	39	25	—	—	14	1.88
PV125L5	1610	125	3B	—	90	39	25	—	—	14	2.14
PV132L5	2012	132	3B	—	105	39	32	—	—	7	2.95
PV140L5	2012	140	3B	—	110	39	32	—	—	7	3.60
PV160L5	2012	160	3B	—	125	39	32	—	—	7	4.05
PV180L5	2012	180	3B	—	145	39	32	—	—	7	4.13
PV200L5	2012	200	7A	105	167	39	32	12	—	7	4.21
PV224L5	2012	224	7A	105	191	39	32	12	—	7	5.36
PV250L5	2012	250	7A	105	217	39	32	12	—	7	5.88
PV280L5	2517	280	5B	120	247	39	45	12	6	—	6.95
PV315L5	2517	315	5B	120	276	39	45	14	6	—	8.02
PV355L5	3020	355	5C	145	316	39	51	14	12	—	10.5
PV400L5	3020	400	5C	145	361	39	51	14	12	—	11.6

Bushing	Stock Bores																							
	14	16	18	19	20	22	24	25	28	30	32	35	38	40	42	45	48	50	55	60	65	70	75	
1310	●	●	●	●	●	●	●	●	●	●	●	●												
1610	●	●	●	●	●	●	●	●	●	●	●	●	●	●	△									
2012			●	●	●	●	●	●	●	●	●	●	●	●	●	●	●	●						
2517					●	●	●	●	●	●	●	●	●	●	●	●	●	●	●	●				
3020							●	●	●	●	●	●	●	●	●	●	●	●	●	●	●	●	●	●

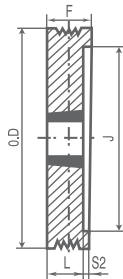


**L6**

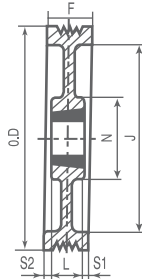
**M<sup>ulti</sup>  
-W<sub>edged</sub> pulleys**



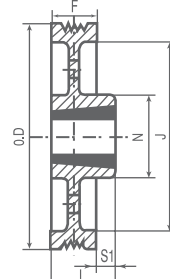
3A



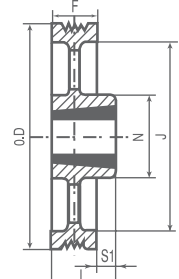
3B



7A



5B



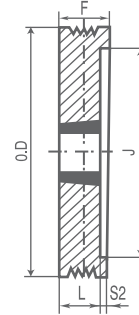
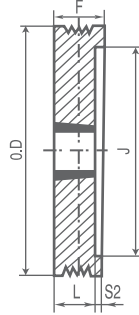
5C

PART NO.	Bushing	O.D	TYPE	N	J	F	L	E	S1	S2	kg
PV80L6	1210	80	3A	—	58	42	25	—	—	17	0.83
PV85L6	1210	85	3A	—	59	42	25	—	—	17	0.95
PV90L6	1610	90	3A	—	68	42	25	—	—	17	1.02
PV95L6	1610	95	3A	—	70	42	25	—	—	17	1.28
PV100L6	1610	100	3A	—	71	42	25	—	—	17	1.34
PV106L6	1610	106	3B	—	73	42	25	—	—	17	1.66
PV112L6	1610	112	3B	—	79	42	25	—	—	17	1.9
PV118L6	1610	118	3B	—	89	42	25	—	—	17	2.11
PV125L6	1610	125	3B	—	90	42	25	—	—	17	2.26
PV132L6	2012	132	3B	—	105	42	32	—	—	10	3.13
PV140L6	2012	140	3B	—	110	42	32	—	—	10	3.65
PV160L6	2012	160	3B	—	125	42	32	—	—	10	4.21
PV180L6	2012	180	3B	—	145	42	32	—	—	10	4.32
PV200L6	2012	200	7A	105	167	42	32	14	—	10	4.41
PV224L6	2012	224	7A	105	191	42	32	14	—	10	5.65
PV250L6	2012	250	7A	105	217	42	32	14	—	10	6.13
PV280L6	2517	280	5B	120	247	42	45	14	3	—	7.7
PV315L6	2517	315	5B	120	276	42	45	16	3	—	8.34
PV355L6	3020	355	5C	145	316	42	51	16	9	—	10.56
PV400L6	3020	400	5C	145	361	42	51	16	9	—	12.0

Bushing	Stock Bores																							
	14	16	18	19	20	22	24	25	28	30	32	35	38	40	42	45	48	50	55	60	65	70	75	
1310	●	●	●	●	●	●	●	●	●	●	●	●												
1610	●	●	●	●	●	●	●	●	●	●	●	●	●	●	△									
2012			●	●	●	●	●	●	●	●	●	●	●	●	●	●	●	●						
2517				●	●	●	●	●	●	●	●	●	●	●	●	●	●	●	●	●				
3020							●	●	●	●	●	●	●	●	●	●	●	●	●	●	●	●	●	●

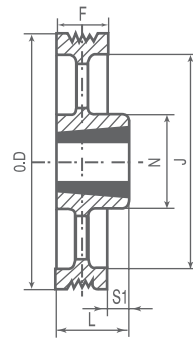
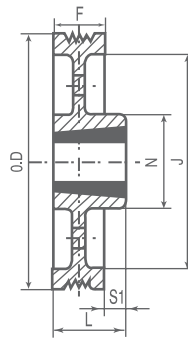
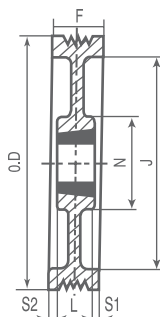
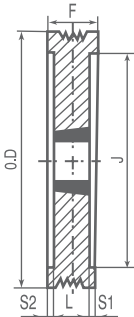
**M<sup>ulti</sup>-W<sup>edged</sup> pulleys**

**L8**



3A

3B



4

7A

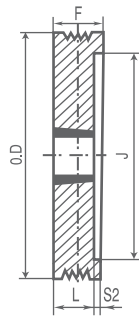
5B

5C

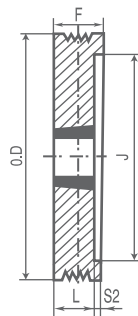
PART NO.	Bushing	O.D	TYPE	N	J	F	L	E	S1	S2	kg
PV75L8	1108	75	3A	—	46	52	22	—	—	30	0.64
PV80L8	1210	80	3A	—	58	52	25	—	—	27	0.67
PV85L8	1210	85	3A	—	59	52	25	—	—	27	0.27
PV90L8	1610	90	3A	—	68	52	25	—	—	27	1.0
PV95L8	1610	95	3A	—	70	52	25	—	—	27	1.3
PV100L8	1610	100	3A	—	71	52	25	—	—	27	1.1
PV106L8	1610	106	4	—	73	52	25	—	13.5	13.5	1.2
PV112L8	2012	112	4	—	79	52	32	—	10	10	1.2
PV118L8	2012	118	4	—	89	52	32	—	10	10	1.52
PV125L8	2012	125	4	—	90	52	32	—	10	10	1.8
PV132L8	2012	132	4	—	105	52	32	—	10	10	2.0
PV140L8	2012	140	4	—	110	52	32	—	10	10	2.5
PV160L8	2012	160	4	—	125	52	32	—	10	10	2.9
PV180L8	2517	180	3B	—	145	52	45	—	—	7	4.1
PV200L8	2517	200	3B	—	167	52	45	—	—	7	4.7
PV224L8	2517	224	7A	120	191	52	45	12	—	7	5.1
PV250L8	2517	250	7A	120	217	52	45	12	—	7	6.4
PV280L8	3020	280	7B	145	247	52	51	14	1	—	6.5
PV315L8	3020	315	7B	145	276	52	51	14	1	—	6.8
PV355L8	3020	355	7C	145	316	52	51	14	1	—	8.0
PV400L8	3525	400	5C	166	361	52	63	16	11	—	9.2
PV450L8	3525	450	5C	168	411	52	63	20	11	—	12.6
PV500L8	4030	500	5C	216	461	52	76	20	24	—	13.0
PV560L8	4030	560	5C	216	521	52	76	20	24	—	16.0
PV630L8	4030	630	5C	216	591	52	76	20	24	—	17.6

**M<sup>ulti</sup>  
-W<sub>edged</sub> pulleys**

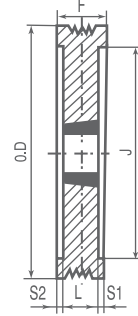
**L10**



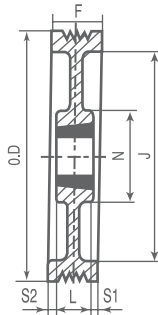
3A



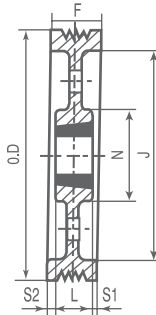
3B



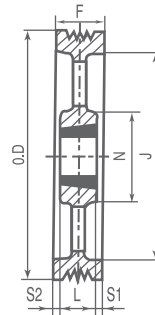
4



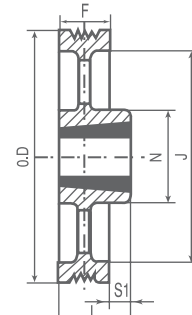
7A



7B



7C

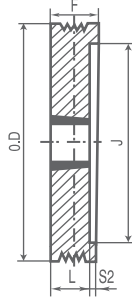


5C

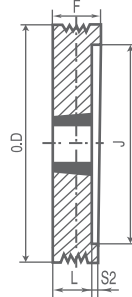
PART NO.	Bushing	IO.D	TYPE	N	J	F	L	E	S1	S2	kg
PV75L10	1108	75	3A	—	46	61	22	—	—	39	1.38
PV80L10	1210	80	3A	—	58	61	25	—	—	36	1.51
PV85L10	1210	85	3A	—	59	61	25	—	—	36	1.54
PV90L10	1615	90	3A	—	68	61	38	—	—	23	1.66
PV95L10	1615	95	3A	—	70	61	38	—	—	23	1.79
PV100L10	1615	100	3A	—	71	61	38	—	—	23	1.92
PV106L10	1615	106	4	—	73	61	38	—	11.5	11.5	2.15
PV112L10	2012	112	4	—	79	61	32	—	14.5	14.5	2.38
PV118L10	2012	118	4	—	89	61	32	—	14.5	14.5	2.58
PV125L10	2012	125	4	—	90	61	32	—	14.5	14.5	2.25
PV132L10	2012	132	4	—	105	61	32	—	14.5	14.5	3.18
PV140L10	2012	140	4	—	110	61	32	—	14.5	14.5	3.95
PV160L10	2012	160	4	—	125	61	32	—	14.5	14.5	4.84
PV180L10	2517	180	3B	—	145	61	45	—	—	16	6.95
PV200L10	2517	200	3B	—	167	61	45	—	—	16	9.22
PV224L10	2517	224	7A	120	191	61	45	12	—	16	7.16
PV250L10	2517	250	7A	120	217	61	45	12	—	16	7.75
PV280L10	3020	280	7B	145	247	61	51	14	—	10	9.8
PV315L10	3020	315	7B	145	276	61	51	14	—	10	11.7
PV355L10	3020	355	7C	145	316	61	51	16	—	10	15.2
PV400L10	3525	400	5C	166	361	61	63	16	2	—	16.3
PV450L10	3525	450	5C	168	411	61	63	20	2	—	21.5
PV500L10	4030	500	5C	216	461	61	76	20	15	—	25.8
PV560L10	4030	560	5C	216	521	61	76	22	15	—	28.8
PV630L10	4030	630	5C	216	591	61	76	22	15	—	32.9

**M<sup>ulti</sup>  
-W<sup>edged</sup> pulleys**

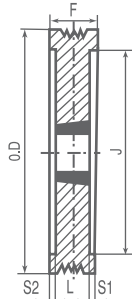
**L12**



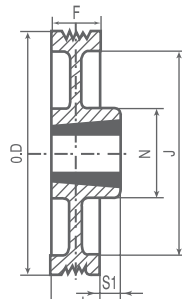
3A



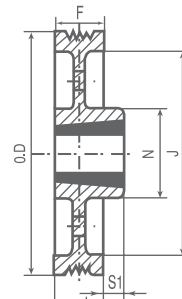
3B



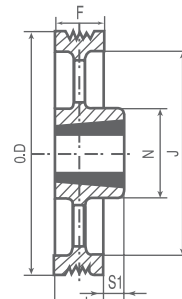
4



5A



5B

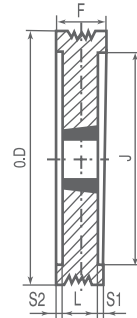


5C

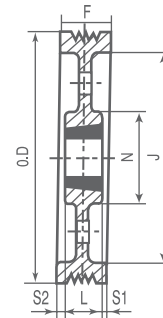
PART NO.	Bushing	O.D	TYPE	N	J	F	L	E	S1	S2	kg
PV75L12	1108	75	3A	—	46	70	22	—	—	48	1.0
PV80L12	1310	80	3A	—	58	70	25	—	—	45	1.15
PV85L12	1310	85	3A	—	59	70	25	—	—	45	1.18
PV90L12	1615	90	3A	—	68	70	38	—	—	32	1.3
PV95L12	1615	95	3A	—	70	70	38	—	—	32	1.55
PV100L12	1615	100	3A	—	71	70	38	—	—	32	1.4
PV106L12	1615	106	3A	—	73	70	38	—	—	32	1.8
PV112L12	2012	112	4	—	79	70	32	—	19	19	3.0
PV118L12	2012	118	4	—	89	70	32	—	19	19	2.3
PV125L12	2012	125	4	—	90	70	32	—	19	19	2.5
PV132L12	2517	132	4	—	105	70	45	—	12.5	12.5	2.8
PV140L12	2517	140	4	—	110	70	45	—	12.5	12.5	3.4
PV160L12	2517	160	4	—	125	70	45	—	12.5	12.5	4.9
PV180L12	2517	180	4	—	145	70	45	—	12.5	12.5	6.2
PV200L12	2517	200	4	—	167	70	45	—	12.5	12.5	6.5
PV224L12	3030	224	5A	125	191	70	76	14	6	—	7.5
PV250L12	3030	250	5A	125	217	70	76	14	6	—	8.0
PV280L12	3030	280	5B	145	247	70	76	16	6	—	8.8
PV315L12	3030	315	5B	145	276	70	76	16	6	—	10.8
PV355L12	3535	355	5C	168	316	70	89	20	19	—	12.7
PV400L12	3535	400	5C	168	361	70	89	20	19	—	13.3
PV450L12	3535	450	5C	168	411	70	89	22	19	—	19.0
PV500L12	4030	500	5C	216	461	70	76	22	6	—	20.0
PV560L12	4030	560	5C	216	521	70	76	25	6	—	25.0
PV630L12	4030	630	5C	216	591	70	76	25	6	—	30.0

**M<sup>ulti</sup>-W<sup>edged</sup> pulleys**

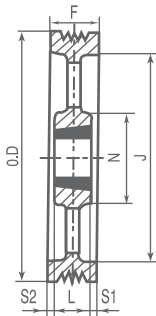
**L16**



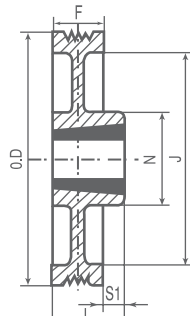
4



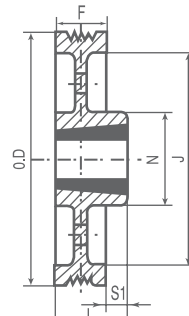
7B



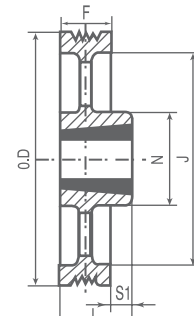
7C



5A



5B

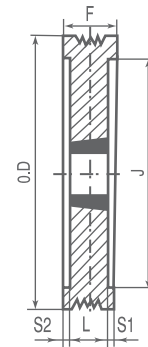


5C

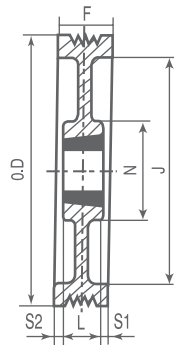
PART NO.	Bushing	O.D	TYPE	N	J	F	L	E	S1	S2	kg
PV85L16	1615	85	4	—	68	89	38	—	25.5	25.5	1.2
PV90L16	1615	90	4	—	68	89	38	—	25.5	25.5	1.6
PV95L16	1615	95	4	—	70	89	38	—	25.5	25.5	1.7
PV100L16	1615	100	4	—	71	89	38	—	25.5	25.5	1.8
PV106L16	1615	106	4	—	73	89	38	—	25.5	25.5	2.3
PV112L16	2012	112	4	—	79	89	32	—	28.5	28.5	2.5
PV118L16	2012	118	4	—	89	89	32	—	28.5	28.5	2.6
PV125L16	2012	125	4	—	90	89	32	—	28.5	28.5	2.8
PV132L16	2517	132	4	—	105	89	45	—	22	22	3.2
PV140L16	2517	140	4	—	110	89	45	—	22	22	4.1
PV160L16	2517	160	4	—	125	89	45	—	22	22	5.5
PV180L16	2517	180	4	—	145	89	45	—	22	22	7.4
PV200L16	2517	200	4	—	167	89	45	—	22	22	9.4
PV224L16	3030	224	7B	145	191	89	76	20	13	—	10.7
PV250L16	3030	250	7B	145	217	89	76	20	13	—	12.0
PV280L16	3030	280	7B	145	247	89	76	22	13	—	12.2
PV315L16	3535	315	7B	168	279	89	89	22	0	0	13.8
PV355L16	3535	355	7C	168	316	89	89	25	0	0	19.2
PV400L16	3535	400	7C	168	361	89	89	25	0	0	19.2
PV450L16	4040	450	5C	216	411	89	102	25	13	—	22.0
PV500L16	4040	500	5C	216	461	89	102	28	13	—	28.2
PV560L16	4040	560	5C	216	521	89	102	28	13	—	31.0
PV630L16	4040	630	5C	216	591	89	102	28	13	—	35.3

**M<sup>ulti</sup>-W<sup>edged</sup> pulleys**

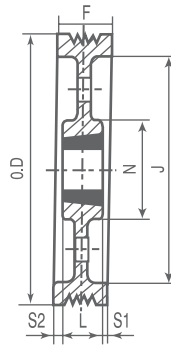
**L20**



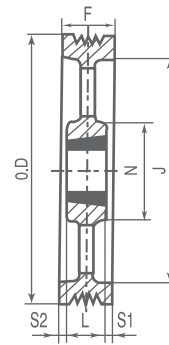
4



7A



7B

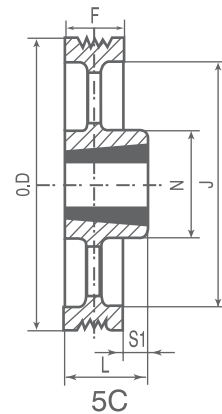
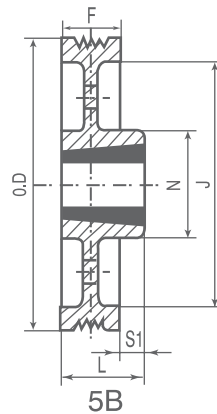
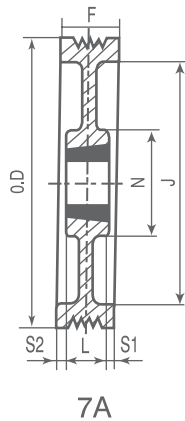
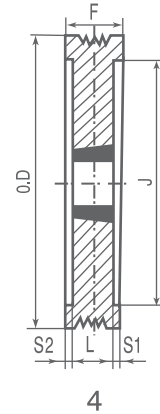


7C

PART NO.	Bushing	O.D	TYPE	N	J	F	L	E	S1	S2	kg
PV132L20	2517	132	4	—	105	108	45	—	31.5	31.5	4.0
PV140L20	2517	140	4	—	110	108	45	—	31.5	31.5	4.4
PV160L20	2517	160	4	—	125	108	45	—	31.5	31.5	5.8
PV180L20	2517	180	4	—	145	108	45	—	31.5	31.5	8.0
PV200L20	3030	200	4	—	167	108	76	—	31.5	31.5	11.0
PV224L20	3030	224	7A	145	191	108	76	20	16	16	15.4
PV250L20	3030	250	7A	145	217	108	76	20	16	16	21.0
PV280L20	3535	280	7B	168	247	108	89	22	—	19	22.8
PV315L20	3535	315	7B	168	276	108	89	22	—	19	25.6
PV355L20	3535	355	7C	168	316	108	89	28	—	19	28.2
PV400L20	4040	400	7C	216	361	108	102	28	—	6	29.8
PV450L20	4040	450	7C	216	411	108	102	30	—	6	35.6
PV500L20	4040	500	7C	216	461	108	102	30	—	6	37.6
PV560L20	4040	560	7C	216	521	108	102	30	—	6	47.0
PV630L20	4040	630	7C	216	591	108	102	30	—	6	53.0

**M<sup>ulti</sup>-W<sub>edged</sub> pulleys**

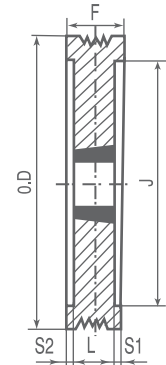
**M6**



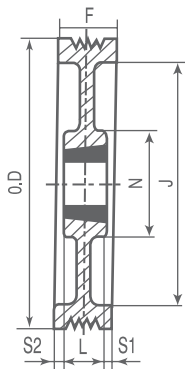
PART NO.	Bushing	O.D	TYPE	N	J	F	L	E	S1	S2	kg
PV180M6	2517	180	4	—	130	74	45	—	14.5	14.5	6.8
PV190M6	2517	190	4	—	140	74	45	—	14.5	14.5	7.4
PV200M6	3020	200	4	—	160	74	51	—	11.5	11.5	7.6
PV212M6	3020	212	4	—	170	74	51	—	11.5	11.5	7.9
PV224M6	3020	224	4	—	180	74	51	—	11.5	11.5	8.4
PV250M6	3020	250	7A	145	205	74	51	22	11.5	11.5	9.0
PV280M6	3020	280	7A	145	230	74	51	22	11.5	11.5	10.0
PV315M6	3535	315	5B	168	272	74	89	25	15	—	11.8
PV355M6	3535	355	5B	168	305	74	89	25	15	—	17.6
PV400M6	4040	400	5C	216	350	74	102	28	28	—	20.2
PV450M6	4040	450	5C	216	400	74	102	30	28	—	23.1
PV500M6	4040	500	5C	216	450	74	102	30	28	—	25.9
PV560M6	4040	560	5C	216	510	74	102	30	28	—	29.3
PV710M6	4040	710	5C	216	660	74	102	30	28	—	44.0

**M<sup>ulti</sup>-W<sub>edged</sub> pulleys**

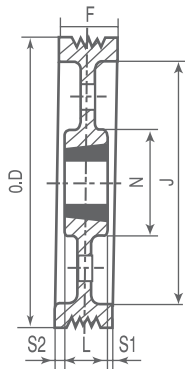
**M10**



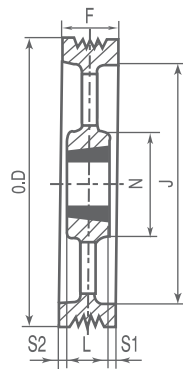
4



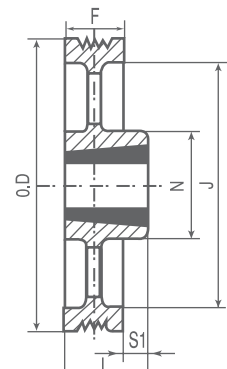
7A



7B



7C



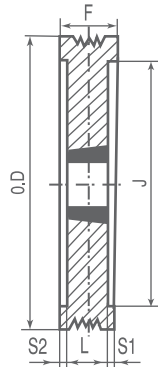
5C

PART NO.	Bushing	O.D	TYPE	N	J	F	L	E	S1	S2	kg
PV180M10	3030	180	4	—	130	112	76	—	18	18	9.0
PV190M10	3030	190	4	—	145	112	76	—	18	18	10.5
PV200M10	3030	200	4	—	150	112	76	—	18	18	11.0
PV212M10	3535	212	4	—	165	112	89	—	11.5	11.5	16.1
PV224M10	3535	224	4	—	177	112	89	—	11.5	11.5	17.1
PV250M10	3535	250	4	—	203	112	89	—	11.5	11.5	19.0
PV280M10	3535	280	7A	168	233	112	89	28	11.5	11.5	21.3
PV315M10	3535	315	7B	168	268	112	89	28	11.5	11.5	26.0
PV355M10	4040	355	7B	216	305	112	102	28	—	10	29.2
PV400M10	4040	400	7C	216	350	112	102	35	—	10	32.9
PV450M10	4040	450	7C	216	400	112	102	35	—	10	37.1
PV500M10	4040	500	7C	216	450	112	102	35	—	10	41.1
PV560M10	4545	560	5C	254	510	112	114	40	2	—	56.0
PV630M10	4545	630	5C	254	580	112	114	40	2	—	63.0
PV710M10	4545	710	5C	254	660	112	114	40	2	—	71.0

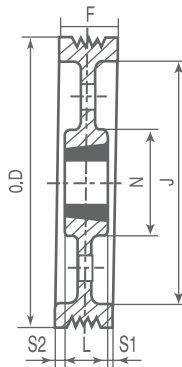


**M<sup>ulti</sup>-W<sup>edged</sup> pulleys**

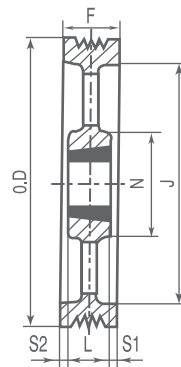
**M16**



4



7B



7C

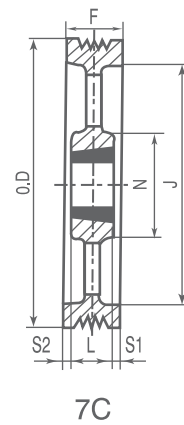
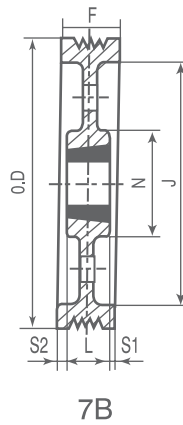
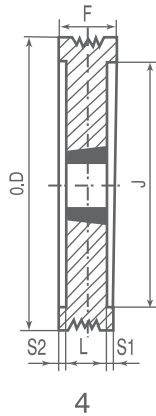
PART NO.	Bushing	O.D	TYPE	N	J	F	L	E	S <sub>1</sub>	S <sub>2</sub>	kg
PV180M16	3030	180	4	—	130	168	76	—	46	46	9.0
PV190M16	3030	190	4	—	140	168	76	—	46	46	10.2
PV200M16	3535	200	4	—	152	168	89	—	39.5	39.5	13.0
PV212M16	3535	212	4	—	166	168	89	—	39.5	39.5	16.8
PV224M16	3535	224	4	—	173	168	89	—	39.5	39.5	17.8
PV250M16	3535	250	4	—	190	168	89	—	39.5	39.5	25.0
PV280M16	3535	280	4	—	230	168	89	—	39.5	39.5	32.4
PV315M16	4040	315	4	—	265	168	102	—	33	33	42.6
PV355M16	4040	355	7B	216	305	168	102	35	33	33	47.0
PV400M16	4040	400	7B	216	350	168	102	35	33	33	51.4
PV450M16	4040	450	7C	216	400	168	102	45	33	33	56.5
PV500M16	4040	500	7C	216	450	168	102	55	33	33	62.3
PV560M16	4545	560	7C	254	500	168	114	55	27	27	72.0
PV630M16	4545	630	7C	254	580	168	114	60	27	27	81.0
PV710M16	4545	710	7C	254	660	168	114	60	27	27	91.3

**Standard bore dimensions of BTL bushings**

Bushing	Stock Bores																							
	25	28	30	32	35	38	40	42	45	48	50	55	60	65	70	75	80	85	90	95	100	105	110	
3030	●	●	●	●	●	●	●	●	●	●	●	●	●	●	●									
3535				●	●	●	●	●	●	●	●	●	●	●	●	●	●	●	●					
4040						●	●	●	●	●	●	●	●	●	●	●	●	●	●	●	●	●		
4545											●	●	●	●	●	●	●	●	●	●	●	●	●	●

**M<sup>ulti</sup>-W<sup>edged</sup> pulleys**

**M20**



PART NO.	Bushing	O.D	TYPE	N	J	F	L	E	S1	S2	kg
PV180M20	3030	180	4		130	205	76		64.5	64.5	10.2
PV190M20	3030	190	4		140	205	76		64.5	64.5	11.5
PV200M20	3535	200	4		152	205	89		58	58	13.0
PV212M20	3535	212	4		166	205	89		58	58	15.5
PV224M20	3535	224	4		173	205	89		58	58	19.7
PV250M20	3535	250	4		190	205	89		58	58	28.6
PV280M20	3535	280	4		230	205	89		58	58	38.9
PV315M20	4040	315	4		265	205	102		51.5	51.5	42.0
PV400M20	4040	400	7B	216	350	205	102	40	51.5	51.5	57.2
PV450M20	4040	450	7C	216	400	205	102	50	51.5	51.5	58.8
PV500M20	4545	500	7C	254	450	205	114	60	45.4	45.4	65.2
PV560M20	4545	560	7C	254	500	205	114	60	45.4	45.4	73.0
PV630M20	4545	630	7C	254	580	205	114	65	45.4	45.4	82.0
PV710M20	5050	710	7C	268	660	205	127	65	39	39	98.4

**Standard bore dimensions of BTL bushings**

Bushing	Stock Bores																										
	25	28	30	32	35	38	40	42	45	48	50	55	60	65	70	75	80	85	90	95	100	105	110	115	120	125	
3030	●	●	●	●	●	●	●	●	●	●	●	●	●	●	●	●											
3535				●	●	●	●	●	●	●	●	●	●	●	●	●	●	●	●								
4040						●	●	●	●	●	●	●	●	●	●	●	●	●	●	●	●	●					
4545												●	●	●	●	●	●	●	●	●	●	●	●	●			
5050													●	●	●	●	●	●	●	●	●	●	●	●	●	●	●