

工程输送链板链网

Engineering Conveyor Chain & Belt

传递安全与可靠
Transmit Safety & Reliability



啤酒饮料输送产品及解决方案
Conveyor Products & Solution for Beer & Beverage Industry

产品材料及颜色

Product Materials and Colors

1: XLHS-高性能内润滑，超低摩擦性能乙缩醛，能改善耐磨寿命并具有较高的强度，颜色：咖啡色；

1: XLHS - Internally lubricated, extra low friction Acetal for improved wear life and high strength. Color: Brown



2: XLGHS-高性能内润滑，超低摩擦性能乙缩醛，能改善耐磨寿命并具有较高的强度，FDA认可。颜色：墨绿色；

2: XLGHS - Internally lubricated, extra low friction Acetal for improved wear life and high strength; FDA approved. Color: Dark Green;



3: HDHS -高性能内润滑，超低摩擦性能乙缩醛，相比普通乙缩醛提升40%的磨损性能，适用于干润滑环境，FDA批准。颜色：天蓝色；

3: HPHS- High Performance internally lubricated Acetal, for reduced wear up to 40% over plain Acetal; intended for dry running and high-speed applications. Color: Sky Blue;



4: PSHS-高性能免润滑树脂材料，应用于高速干燥输送环境，FDA批准。颜色：深灰色；

4: PSHS-Advanced High Performance and Lubrication-free Resin Material designed specifically High-speed and run dry Environment, FDA approved. Color: Dark Grey;



5: XPHS-耐磨聚丙烯材料，应用于高温喷淋环境，具有优异的长期热稳定性（高达104°C）和非常好的耐化学性；FDA批准。颜色：浅绿色。

5: XPHS- Wear resistant polypropylene with excellent long term heat stability – up to 104°C – and a very good chemical resistance; FDA approved. Color: light green;



工程塑料链板介绍

Introduction of Conveyor Chain

从标准低摩擦材料到针对极特殊场合所需的专业高技术材质的产品，黄山链条能够为啤酒饮料行业的输送作业提供专业的解决方案。

高强材料

适用于干燥和使用润滑剂环境的饮料瓶输送，也适用于高磨损的玻璃制造业，具有高强度和极低摩擦性。

顺滑特性

为了确保优异的顺滑特性，黄山链研发了多种高性能链板材料，在许多情况下，这些材料是专为输送设备而开发的，具有与预期用途一致的摩擦系数。

平整度

通过数字化产品设计验证，专业的模具设计制造，和受控的加工流程，确保链板达到高标准的平整度值，具备优异的顺滑特性，防止产品在输送过程中倾翻。

标准化

标准塑料链板用于一般的易拉罐，PET瓶，玻璃瓶及纸盒包装输送；高摩擦性链板（带橡胶垫，顶部带橡胶条）用于爬坡和下坡输送；带滚珠的链板用于输送物件有堆积的输送机上，以减少产品间的背压力和降低噪音；这一系列的产品使输送设备得以标准化，从而可以使用相同标准的链轮，轨道，回转轮，摩擦条。

我们提供84毫米宽度的塑料链板和不锈钢链板，用于啤酒饮料输送行业中行间距为85毫米的多轨道输送机。直行链和转弯链及相关的配套产品，可以在同类齿轮上运行，使通过轨道的行间距以及链节之间的间距达到了最小化，相比传统的82.6毫米链板拥有出色的产品输送性能，可以将产品翻倒的风险降至最低。

当1000系列链网被用于直行输送；1060系列链板，84毫米宽度的转弯链是与之配套的理想产品，即使在小转弯半径情况下，这些链条也具有一个最大极限的支撑面积和出色的传动性能。建议在输送要求较高的情况下采用磁性转弯链网及磁性轨道。

D型销轴

84毫米链板配有D型销轴。一旦组装完毕，销轴的固定是由几何结构锁定来完成，而不是借助铰孔上的机械方式锁定来完成。此举可以降低链条对化学腐蚀的敏感性；它还允许从链条的两侧进行组装及拆卸，降低组装失误几率。

From standard low friction to specialized high-tech materials for very specific applications, the HS Conveyor Chain range is capable of delivering a wide range of solutions for conveyor applications for beverage industry.

High strength materials

For lubricated and dry running beverage applications and also for abrasive applications in glass works, special materials are available, offering high PV resistance and very low friction

Sliding properties

HS developed kinds of advance material for chain to ensure superior sliding properties, In many cases these materials are especially defined for conveyor applications and the materials have friction coefficients tailored to the intended application.

Flatness

Digital products and tooling Design, Verification, Manufacturing, the control of the production process take care of flatness values meeting the highest standards. Together with the optimum sliding properties, this will prevent tipping of the products conveyed.

Standardization

In case handling a number of different chains are used. Standard chains are used for general conveying of Can, PET, and Glass bottle; High Friction Chains with rubber and super grip top are used for inclines and declines. Chains with rollers are used in lines feeding palletizers in order to reduce the backline pressure and noise. The product range allows standardization of case handling conveyors, as a result of the same Sprockets, Track, Return Roller and Wear Strips.

HS offers a complete range of both plastic and steel chains with 84 mm width, intended for the global beverage standard 85 mm pitch between the lanes of multi-lane conveyors. The straight running HSSP84 and the side flexing HSRP84 are companions, running on the same sprockets. The gap between the different tracks/lanes is minimized compared to the traditional 3.25" chains as well as the gap between the links of the chains, to offer superior product handling and minimize the risks of products falling.

When 1000 series Belts is used for straight running conveying 1060 series with 84 mm wide side flex chain is the ideal product for Combing to use. Even in the case of small turning radius, these chains still have a maximum supporting area and excellent transmission performance. It is suggested that magnetic side flex chain and Track should be used in the case of higher requirements.

Pin - D type

HSSP84, HSRP84, 1060-FT, 1060-FG, 880TAB chains have the Pin-D type. Once assembled, the pin retention is done by means of geometrical fit instead of mechanical tension on the hinge eyes. This makes the chain less sensitive for attack by chemicals; it also allows assembly and disassembly from both side of the chains and reducing the error.

工程塑料链网介绍

Introduction of Conveyor Belt

输送链网种类多样，我们提供从半英寸开始，至2英寸节距之间的输送链网及解决方案，每个系列的产品都提供对应多种用途的型号。

平顶链网/顶部封闭

如果产品因其易损性及不稳定性而要求有最大的支撑能力时，并且存在一些会卡在链网表面并有可能损坏或堵塞产品，或链网的小颗粒如玻璃碎片、螺栓和螺母或产品本身时，通常会采用完全闭合的表面设计方式。

顶部开放/网孔

采用顶部开放的表面允许水或气流穿过链网并除去碎屑，确保链网和输送产品之间的接触面保持清洁，每种型号链网的开放区域有所区别。

顶部凸起/凸起型

如果需要把（不稳定）产品输送至或者输送离开一根链网或链条时，选用顶部凸起链网和梳子板比较合适。梳子板的指爪会伸入链网凸肋表面下方。梳子板配有长短不一的指爪，短指爪通常用于有碎玻璃片存在的场合。

顶部有真空孔

真空传送带主要用于饮料厂中的制罐工艺或空罐输送。利用开在链网顶上的小孔将链网下方抽成真空，使链网可以输送空罐。

带橡胶垫/顶部带橡胶条

带有橡胶垫的爬坡/下坡链板能够光滑顺畅的运输包装物，这些橡胶垫通过注塑成型被粘在特制模块上。根据包装方式与材料，橡胶垫模块化链网可以在角度最大至20度的场合中使用。

滚珠链网

低背压滚珠链网是输送堆积产品的最佳选择。1005系列模块化滚珠链网被推荐用于输送不带平整底部的收缩性薄膜包装和小包装，带硬纸板底部的收缩性薄膜包装和大型产品。两种制作型号都能够提供最佳产品保护和低噪音工作性能。该链网系列几乎可以所有应用场合提供解决方案。

可变节距链网

该系列链网用于直行，转弯，几乎可以为所有后包装提供解决方案。

So far, the range of Conveyor Belts varies from half inch small pitch to 2 inch pitch running Conveyor Belt and solutions. The different series are offered in many variations to suit any application.

FT- Belt (Closed Surface)

If products require maximum support, due to their vulnerability or un-stability, and if small particles, such as broken glass, bolts and nuts, or the product itself, could get stuck in the surface of the belt, possibly damaging or jamming the product or the belt. A fully closed surface is used.

FG- Belt (Flush Grid)

An open area surface is used to allow water- or air flow through the belt & to remove debris, making sure the contact surface between the belt and the conveyed product stays clean. The open area varies per belt type.

RR- Belt (Raised Rib)

If (unstable) products need to be conveyed onto or from a belt or chain, Raised Top belts and finger incha are suitable. The fingers of the transfer chain reach into and below the surface of the ribs of the belt. COMB incha are available with longer and shorter fingers; short fingers are normally used in case of a risk of broken glass.

Vacuum Belt(Small Hole)

Vacuum conveyors are mainly used for can making or empty can handling in beverage CAN. Small Holes in a Closed Surface belt enable to handle the empty cans by means of a vacuum underneath the belt.

SGS-Belt (Super Grip Surface)

On inclined and declined conveyors packs or crates can be handled smoothly using surfaces with rubber, on top of a specially prepared module using injection technology, ensuring 100% secure bonding. Super Grip Surface Belt can be used up to an angle of 20 degrees, depending on the pack style and material.

LBP-Belt (Roller surface)

Low Backline Pressure Roller belts handling accumulated products are the best choice. 1005 Roller Belt is recommended for shrink-wrapped packages without solid base and small packages, shrink wrapped packs with a cardboard bottom and larger products. Both executions guarantee optimum product protection and low noise operation.

RBT- Belt (Auto Pitch)

This belt range offers a solution for almost any curved application for after packing.

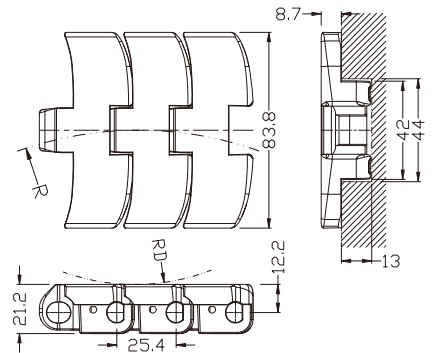
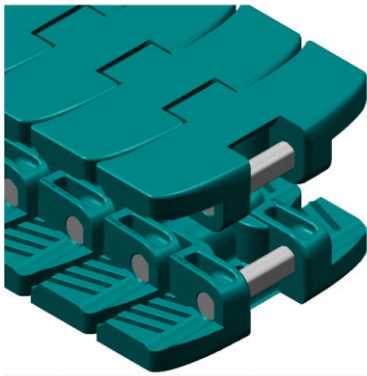
工程塑料链板命名

Nomenclature Rules of Engineering Conveyor Chain & Belt

输送链板

Conveyor Chain

1060磁性转弯链板 Sideflex Run Single Hinge Chain



链板型号 Chain Type	链板宽度 Chain width	节距 Pitch	最小转弯半径 Sideflex Raius (Min)	最小背弯半径 Backflex Radius (Min)	工作载荷 Working Load(Max)	链板重量 Weight	链板材质 Chain Material
	mm				mm	牛顿 N (21℃)	
1060-FT-K330	83.8	25.4	500	130	2200	1.68	XLGHS
					2700	1.68	HDHS
					2200	1.68	PSHS

标准包装: 3.048米/盒, 10英尺/盒 (120链节) Packing Standard: 3.048 Meters/Box 10 Feet/Box (120 Links)

完整产品型号: HS+链板型号+链板材料

例如: HS-1060-FT-K330-XLGHS

Complete Chain Type: HS+ Chain Type + Chain Material

For example: HS-1060-FT-K330-XLGHS

完整产品名称: 链板名称

例如: 1060磁性转弯链板

Complete Chain Name: Chain Name

For example: 1060 Side flex run single Hinge Chain

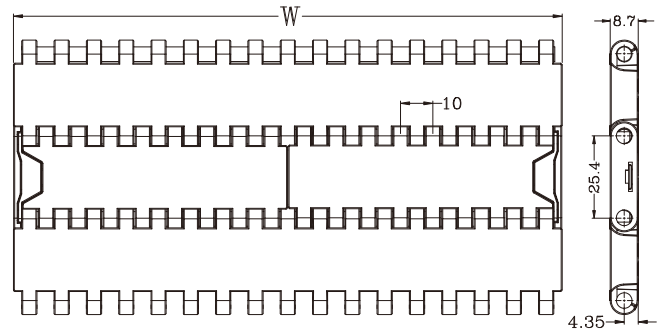
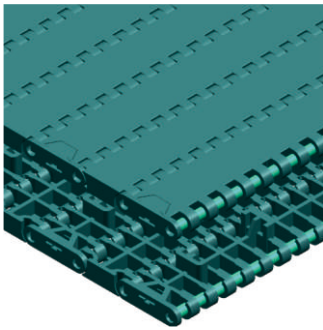
工程塑料链网命名

Engineering Plastic Chain Chain Chain Net and Fitting Rules

输送链网

Conveyor Belt

1000系列直行平顶链网 Serise Straight Run Flat Top Belt



链网型号 Belts Type	节距 Pitch mm	最小背弯半径 Backflex Radius (Min) mm	工作载荷 Woking Load (Max) 牛顿 N (21℃)		工作温度 Working emperature ℃		链板重量 Weight Kg/m ²	销轴材质 Pin material	链网材质 Belt Material	链网宽度 Belt Width		
			Dry	Wet	Dry	Wet				模块宽度 Mold parts Width	标准组合拼装 Uncut Assembly Width	切割链网宽度 Cut Belt Width
1000-FT	25.4	25	22000	4-65	4-65	6.5KG	PP	XLGHS	85	170	W=85*N	
			27000	4-65	4-65	6.6KG	PBT	HDHS				
			22000	4-104	4-104	6.6KG	PP	PSHS	切割链网宽度 Cut Belt Width			
			11000	4-104	4-104	4.3KG	PP	XPHS	W=85*N+10n	10毫米增量递增 10mm increments		

标准包装: 3.048米/盒, 10英尺/盒 (120链节) Packing Standard: 3.048 Meters/Box 10 Feet/Box (120 Links)

完整产品型号: HS+链网型号+链网宽度(W)+材料

例如: HS-1000-FT-510-XLGHS

Complete Belts Type: HS+ Belts Type + Belt Width + Belt Material

For example: HS-1000-FT-510-XLGHS

完整产品名称: 链网名称

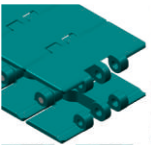


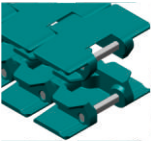

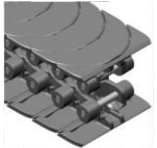


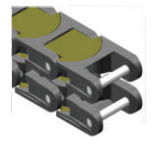



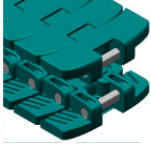


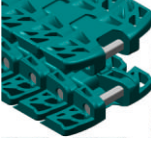


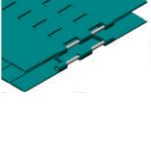
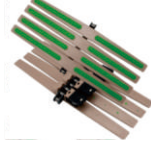

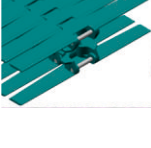
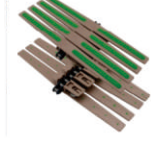

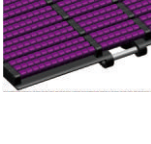


例如: 1000系列直行平顶链网

Complete Belt Name: Belt Name

For example: 1000 Serises Straight run flat top Belt

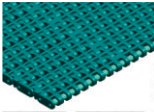
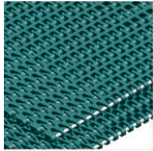
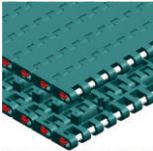
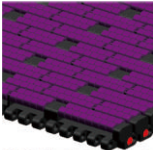
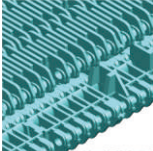

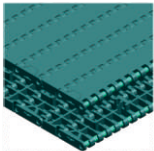
链板目录

CONTENTS

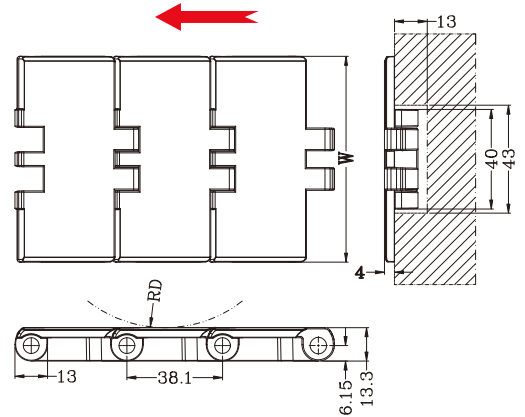
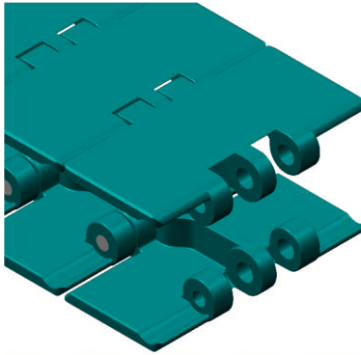
	page		page		page
820	 C08	823	 C16	2600TAB	 C22
880	 C09	823TAB	 C17	1775	 C24
HSS84	 C10	826	 C18	1765	 C25
HSR84	 C10	878T	 C19	63A	 C26
1060	 C12	1873T	 C20	83A	 C27
1050	 C12	1873D	 C20	103A	 C28
821	 C14	1873TG	 C21	140A	 C29
882	 C15	1873TW	 C21	175	 C30
822	 C16	2600	 C22	83-G3	 C30

链网目录

CONTENTS

		page			page
500-FG		C31	1285-RBT		C41
2120FT		C32	1005-FT		C42
2120-SGS		C32	1005-SGS		C42
5935-FT		C34	1005-LBP		C43
5935-FG		C34	2000-RR		C44
8500-FT		C36	5957-RR		C45
8500-FG		C36			
1000-FT		C38			
1000-FG		C38			

820单铰直行链板 Straight Run Single Hinge Chain

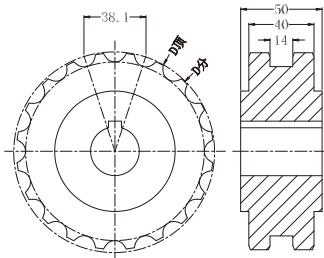


链板型号 Chain Type	链板宽度 Chain width	节距 Pitch	最小背弯半径 Backflex Radius (Min)	工作载荷 Working Load(Max)	链板重量 Weight	链板材质 Chain Material
	mm			mm	牛顿 N (21℃)	
820-K325	82.5	38.1	50	1230	0.83	XLHS/XLGHS/PSHS
820-K450	114.3			1230	1.03	XLHS/XLGHS/PSHS
820-K600	152.4			1230	1.25	XLHS/XLGHS/PSHS
820-K750	190.5			1230	1.47	XLHS/XLGHS/PSHS

标准包装: 3.048米/盒, 10英尺/盒 (80链节)

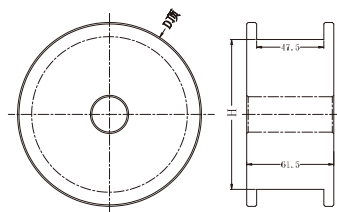
Packing Standard: 3.048 Meters/Box 10 Feet/Box (80 Links)

820链轮-主动链轮 Sprocket-Drive Wheel



链轮型号 Sprocket Type	齿数 Number of Teeth	孔径 Bore	分度圆 Pitch Diameter	齿顶圆 Out Side Diameter	规格 Standstd
		mm	mm	mm	
820-T21-ZD	21	30/35/40	129.3	129.5	机加工 Machining
820-T23-ZD	23	30/35/40	141.2	142.0	
820-T25-ZD	25	30/35/40	153.2	154.2	

820链轮-被动链轮 Sprocket-Idler Wheel



链轮型号 Sprocket Type	齿数 Number of Teeth	孔径 Bore	分度圆 Pitch Diameter	齿顶圆 Out Side Diameter	规格 Standstd
		mm	mm	mm	
820-T21-CD	NIL	30/35/40	129.3	129.5	机加工 Machining
820-T23-CD	NIL	30/35/40	141.2	142.0	
820-T25-CD	NIL	30/35/40	153.2	154.2	

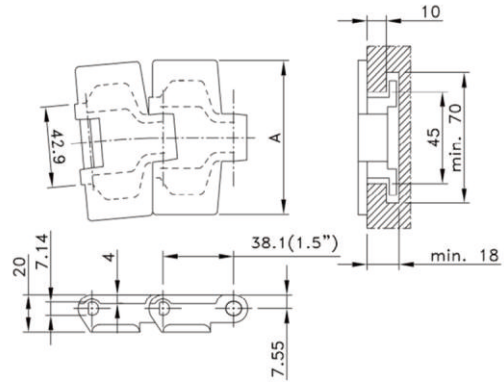
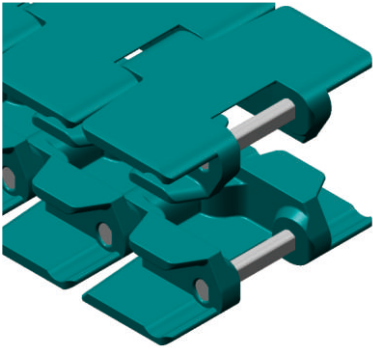
NIL惰轮无齿数

NIL is teethless

"如果您需要被动链轮带有轴承请联系我们"

Please contact to us if you need the Idler Wheel with bearing

880单铰勾脚转弯链板 Sideflex Run Single Hinge Chain

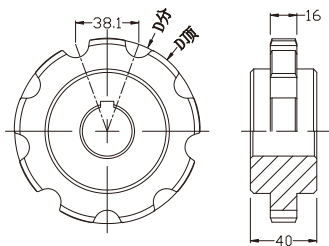


链板型号 Chain Type	链板宽度 Chain width	节距 Pitch	最小转弯半径 Sideflex Radius (Min)	最小背弯半径 Backflex Radius (Min)	工作载荷 Working Load (Max)	链板重量 Weight	链板材质 Chain Material
	mm		mm	mm	牛顿 N (21°C)	Kg/m	
880TAB-K325	82.5	38.1	500	50	2100	0.94	XLHS/XLGHs/PSHS
880TAB-K450	114.3				2100	1.08	

标准包装: 3.048米/盒, 10英尺/盒 (80链节)

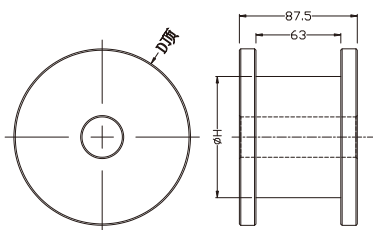
Packing Standard: 3.048 Meters/Box 10 Feet/Box (80 Links)

880链轮-主动链轮 Sprocket-Drive Wheel



链轮型号 Sprocket Type	齿数 Number of Teeth	孔径 Bore	分度圆 Pitch Diameter	齿顶圆 Out Side Diameter	规格 Standards
		mm	mm	mm	
880-T10-ZD	10	30/35/40	121.4	123.3	机加工/注塑 Machining/injection
880-T11-ZD	11	30/35/40	133.9	135.2	
880-T12-ZD	12	30/35/40	145.8	147.2	

880链轮-被动链轮 Sprocket-Idler Wheel

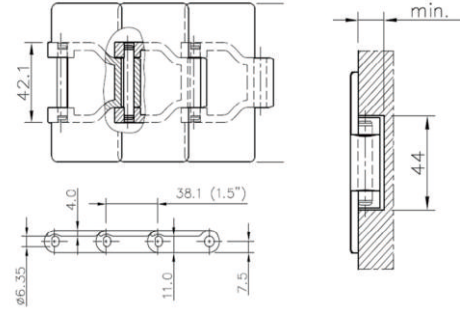
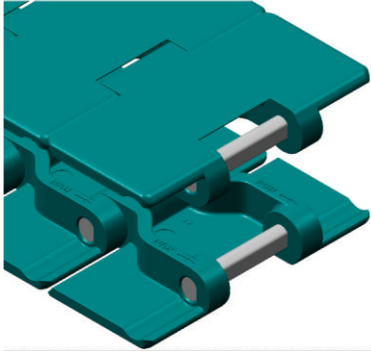


链轮型号 Sprocket Type	齿数 Number of Teeth	孔径 Bore	分度圆 Pitch Diameter	齿顶圆 Out Side Diameter	规格 Standards
		mm	mm	mm	
880-T10-CD	10	30/35/40	121.4	123.3	机加工/注塑 Machining/injection
880-T11-CD	11	30/35/40	133.9	135.2	
880-T12-CD	12	30/35/40	145.8	147.2	

如果您需要被动链轮带有轴承请与我们联系。

Please contact to us if you need the Idler Wheel with bearing.

HSSP84单铰直行链板 Sideflex Run Single Hinge Chain

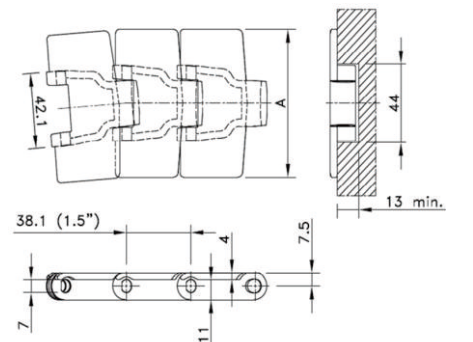
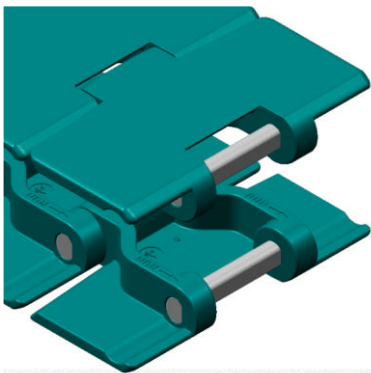


链板型号 Chain Type	链板宽度 Chain width	节距 Pitch	最小背弯半径 Backflex Radius (Min)	工作载荷 Working Load(Max)	链板重量 Weight	链板材质 Chain Material
	mm			mm	牛顿 N (21℃)	
HSSP84-K330	83.8	38.1	50	2100	0.94	XLHS/XLGHS
				2600	0.94	HDHS
				2100	0.94	PSHS

标准包装: 3.048米/盒, 10英尺/盒 (80链节)

Packing Standard: 3.048 Meters/Box 10 Feet/Box (80 Links)

HSRP84磁性转弯链板 Sideflex Run Single Hinge Chain

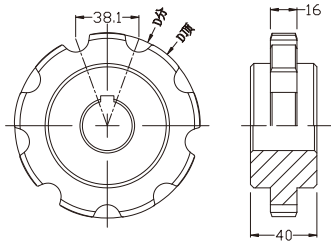


链板型号 Chain Type	链板宽度 Chain width	节距 Pitch	最小转弯半径 Sideflex Radius (Min)	最小背弯半径 Backflex Radius (Min)	工作载荷 Working Load(Max)	链板重量 Weight	链板材质 Chain Material
	mm		mm	mm	mm	牛顿 N (21℃)	
HSRP84-K330	83.8	38.1	500	50	2100	0.82	XLHS/XLGHS
					2600	0.82	HDHS
					2100	0.82	PSHS

标准包装: 3.048米/盒, 10英尺/盒 (80链节)

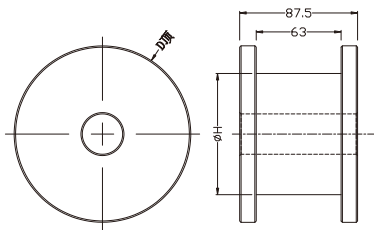
Packing Standard: 3.048 Meters/Box 10 Feet/Box (80 Links)

880链轮-主动链轮 Sprocket-Drive Wheel



链轮型号 Sprocket Type	齿数 Number of Teeth	孔径 Bore	分度圆 Pitch Diameter	齿顶圆 Out Side Diameter	规格 Standards
		mm	mm	mm	
880-T10-ZD	10	30/35/40	121.4	123.3	机加工/注塑 Machining/injection
880-T11-ZD	11	30/35/40	133.9	135.2	
880-T12-ZD	12	30/35/40	145.8	147.2	

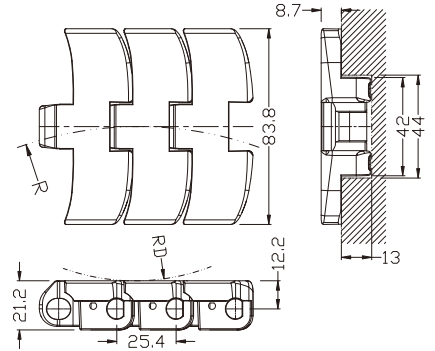
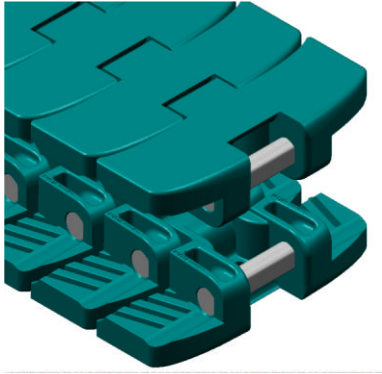
880链轮-被动链轮 Sprocket-Idler Wheel



链轮型号 Sprocket Type	齿数 Number of Teeth	孔径 Bore	分度圆 Pitch Diameter	齿顶圆 Out Side Diameter	规格 Standards
		mm	mm	mm	
880-T10-CD	10	30/35/40	121.4	123.3	机加工/注塑 Machining/injection
880-T11-CD	11	30/35/40	133.9	135.2	
880-T12-CD	12	30/35/40	145.8	147.2	

如果您需要被动链轮带有轴承请与我们联系。
Please contact to us if you need the Idler Wheel with bearing.

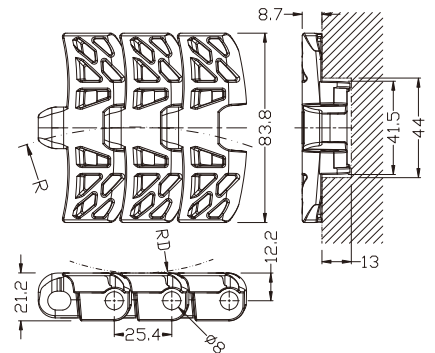
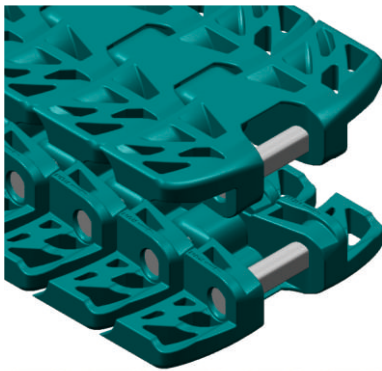
1060磁性转弯链板 Sideflex Run Single Hinge Chain



链板型号 Chain Type	链板宽度 Chain width	节距 Pitch	最小转弯半径 Sideflex Raius (Min)	最小背弯半径 Backflex Radius (Min)	工作载荷 Working Load(Max)	链板重量 Weight	链板材质 Chain Material
	mm	mm	mm	mm	牛顿 N (21℃)	Kg/m	
1060-FTM-K330	83.8	25.4	500	130	2200	1.68	XLGHS
					2700	1.68	HDHS
					2200	1.68	PSHS

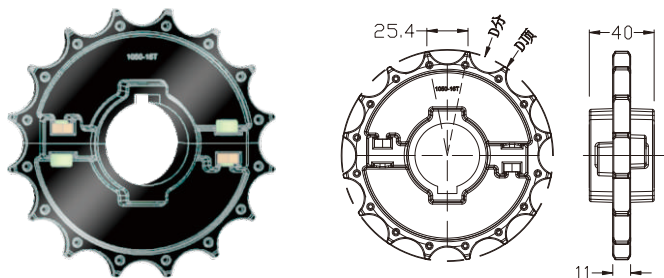
标准包装: 3.048米/盒, 10英尺/盒 (120链节) Packing Standard: 3.048 Meters/Box 10 Feet/Box (120 Links)

1050磁性转弯链板 Sideflex Run Single Hinge Chain



链板型号 Chain Type	链板宽度 Chain width	节距 Pitch	最小转弯半径 Sideflex Raius (Min)	最小背弯半径 Backflex Radius (Min)	工作载荷 Working Load(Max)	链板重量 Weight	链板材质 Chain Material
	mm	mm	mm	mm	牛顿 N (21℃)	Kg/m	
1050-FG-K330	83.8	25.4	500	130	2100	1.54	XLGHS
					2700	1.54	HDHS
					2100	1.54	PSHS

标准包装: 3.048米/盒, 10英尺/盒 (120链节) Packing Standard: 3.048 Meters/Box 10 Feet/Box (120 Links)

1060链轮-主动链轮 Sprocket-Drive Wheel


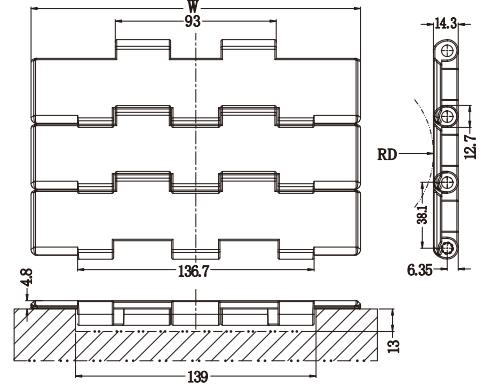
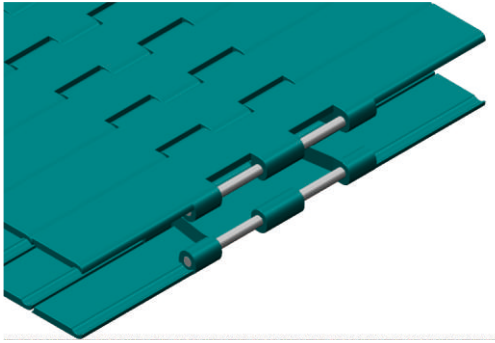
链轮型号 Sprocket Type	齿数 Number of Teeth	孔径 Bore	分度圆 Pitch Diameter	齿顶圆 Out Side Diameter	规格 Standards
		mm	mm	mm	
1060-T16-ZD	16	30/35/40	131.2	130.9	机加工/注塑
1060-T18-ZD	18	30/35/40	147.4	146.8	Machining/injection

1060链轮-被动链轮 Sprocket-Idler Wheel

链轮型号 Sprocket Type	齿数 Number of Teeth	孔径 Bore	分度圆 Pitch Diameter	齿顶圆 Out Side Diameter	规格 Standards
		mm	mm	mm	
1060-T16-CD	16	30/35/40	131.2	130.9	机加工/注塑
1060-T18-CD	18	30/35/40	147.4	146.8	Machining/injection

如果您需要被动链轮带有轴承请与我们联系。
Please contact to us if you need the Idler Wheel with bearing.

821双铰直行链板 Straight Run Double Hinge Chain

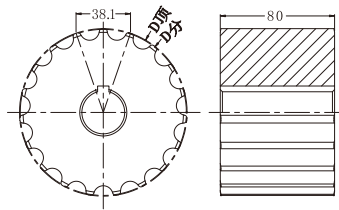


链板型号 Chain Type	链板宽度 Chain width	节距 Pitch	最小背弯半径 Backflex Radius (Min)	工作载荷 Working Load(Max)	链板重量 Weight	链板材质 Chain Material
	mm			mm	牛顿 N (21℃)	
821-K750	190.5	38.1	40	2680	7.5	XLHS/XLGHS/PSHS
821-K1000	254			2680	10	XLHS/XLGHS/PSHS
821-K1200	304.8			2680	12	XLHS/XLGHS/PSHS

标准包装: 3.048米/盒, 10英尺/盒 (80链节)

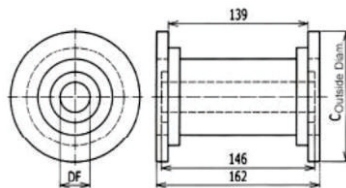
Packing Standard: 3.048 Meters/Box 10 Feet/Box (80 Links)

820链轮-主动链轮 Sprocket-Drive Wheel



链轮型号 Sprocket Type	齿数 Number of Teeth	孔径 Bore	分度圆 Pitch Diameter	齿顶圆 Out Side Diameter	规格 Standstd
		mm	mm	mm	
821-T10-ZD	19	30/35/40	123.2	121	机加工 Machining
821-T11-ZD	21	30/35/40	135.2	142.0	
821-T12-ZD	23	30/35/40	153.2	154.2	

820链轮-被动链轮 Sprocket-Idler Wheel



链轮型号 Sprocket Type	齿数 Number of Teeth	孔径 Bore	分度圆 Pitch Diameter	齿顶圆 Out Side Diameter	规格 Standstd
		mm	mm	mm	
821-T19-CD	N/L	30/35/40	129.3	129.5	机加工 Machining
821-T21-CD	N/L	30/35/40	141.2	142.0	
821-T23-CD	N/L	30/35/40	153.2	154.2	

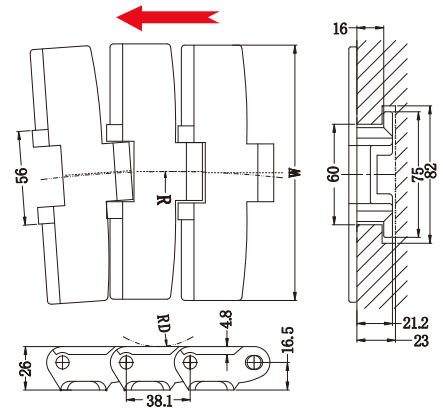
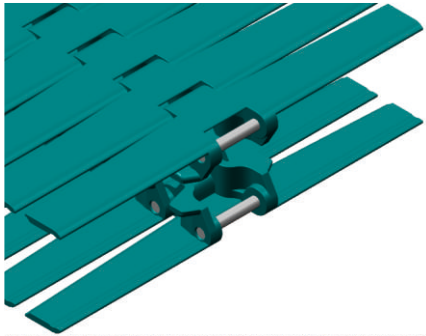
NIL惰轮无齿数

NIL is toothless

如果您需要被动链轮带有轴承请与我们联系

Please contact to us if you need the Idler Wheel with bearing

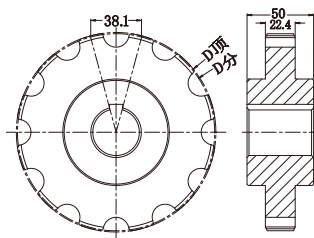
882勾脚转弯链板 Sideflex Run Single Hinge Chain



链板型号 Chain Type	链板宽度 Chain width	节距 Pitch	最小转弯半径 Sideflex Raius (Min)	最小背弯半径 Backflex Radius (Min)	工作载荷 Working Load(Max)	链板重量 Weight	链板材质 Chain Material
	mm				mm	牛顿 N (21℃)	
882TAB-K750	190.5	38.1	610	40	3830	2.45	XLHS/XLGHS/PSHS
882TAB-K1000	254				3830	2.92	
882TAB-K1200	304.8				3830	3.41	

标准包装: 3.048米/盒, 10英尺/盒 (80链节) Packing Standard: 3.048 Meters/Box 10 Feet/Box (80 Links)

882链轮-主动链轮 Sprocket-Drive Wheel



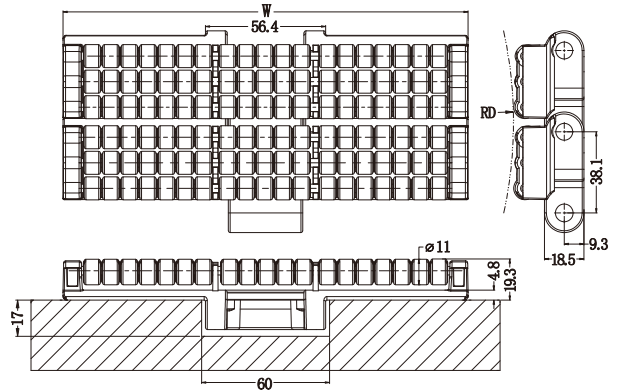
链轮型号 Sprocket Type	齿数 Number of Teeth	孔径 Bore	分度圆 Pitch Diameter	齿顶圆 Out Side Diameter	规格 Standstd
		mm	mm	mm	
821-T10-ZD	19	30/35/40	123.2	121	机加工 Machining
821-T11-ZD	21	30/35/40	135.2	142.0	
821-T12-ZD	23	30/35/40	153.2	154.2	

882链轮-被动链轮 Sprocket-Idler Wheel

链轮型号 Sprocket Type	齿数 Number of Teeth	孔径 Bore	分度圆 Pitch Diameter	齿顶圆 Out Side Diameter	规格 Standstd
		mm	mm	mm	
821-T10-CD	19	30/35/40	129.3	129.5	机加工 Machining
821-T11-CD	21	30/35/40	141.2	142.0	
821-T12-CD	23	30/35/40	153.2	154.2	

如果您需要被动链轮带有轴承请与我们联系
Please contact to us if you need the Idler Wheel with bearing

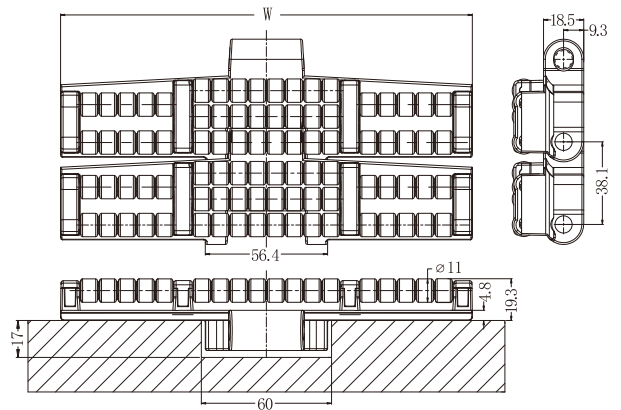
822重载直行滚珠链板 Heavy Duty Sideflex Run Single Hinge Roller Chain



链板型号 Chain Type	链板宽度 Chain width	节距 Pitch	最小背弯半径 Backflex Radius (Min)	工作载荷 Working Load(Max)	链板重量 Weight	链板材质 Chain Material
	mm			mm	mm	
822-LBP-K750	190.5	38.1	40	3830	4.28	XLHS/XLGHS/PSHS
822-LBP-K1000	254			3830	5.23	XLHS/XLGHS/PSHS
822-LBP-K1200	304.8			3830	5.83	XLHS/XLGHS/PSHS

标准包装: 3.048米/盒, 10英尺/盒 (80链节) Packing Standard: 3.048 Meters/Box 10 Feet/Box (80 Links)

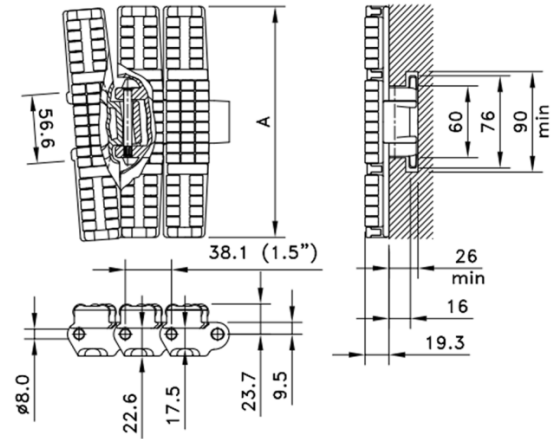
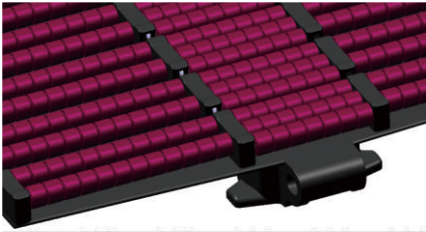
823重载磁性转弯滚珠链板 Heavy Duty Sideflex Run Single Hinge Roller Chain



链板型号 Chain Type	链板宽度 Chain width	节距 Pitch	最小转弯半径 Sideflex Raius (Min)	最小背弯半径 Backflex Radius (Min)	工作载荷 Working Load(Max)	链板重量 Weight	链板材质 Chain Material
	mm		mm	mm	mm	牛顿 N (21℃)	
823-LBP-K750	190.5	38.1	750	40	3830	4.28	XLHS/XLGHS/PSHS
823-LBP-K1000	254				3830	5.23	XLHS/XLGHS/PSHS
823-LBP-K1200	304.8				3830	5.83	XLHS/XLGHS/PSHS

标准包装: 3.048米/盒, 10英尺/盒 (80链节) Packing Standard: 3.048 Meters/Box 10 Feet/Box (80 Links)

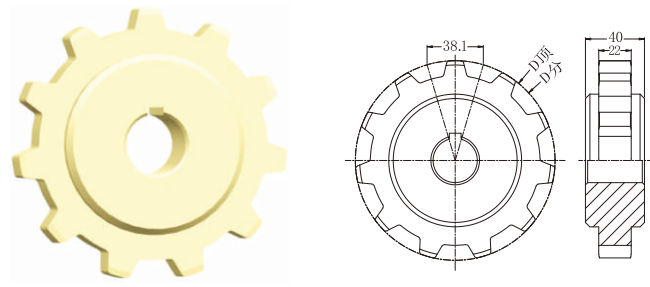
823TAB重载勾脚转弯滚珠链板 Heavy Duty Sideflex Run Single Hinge Roller Chain



链板型号 Chain Type	链板宽度 Chain width	节距 Pitch	最小转弯半径 Sideflex Radius (Min)	最小背弯半径 Backflex Radius (Min)	工作载荷 Working Load(Max)	链板重量 Weight	链板材质 Chain Material
	mm				mm	牛顿 N (21°C)	
823TAB-LBP-K750	190.5	38.1	750	40	3830	4.51	XLHS/XLGHS/PSHS
823TAB-LBP-K1000	254				3830	5.72	
823TAB-LBP-K1200	304.8				3830	6.38	

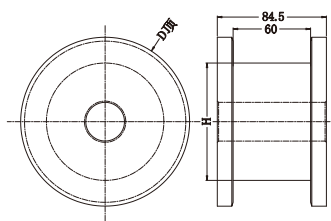
标准包装: 3.048米/盒, 10英尺/盒 (80链节) Packing Standard: 3.048 Meters/Box 10 Feet/Box (80 Links)

882链轮-主动链轮 Sprocket-Drive Wheel



链轮型号 Sprocket Type	齿数 Number of Teeth	孔径 Bore	分度圆 Pitch Diameter	齿顶圆 Out Side Diameter	规格 Standstd
		mm			
821-T10-ZD	19	30/35/40	123.2	121	机加工 Machining
821-T11-ZD	21	30/35/40	135.2	142.0	
821-T12-ZD	23	30/35/40	153.2	154.2	

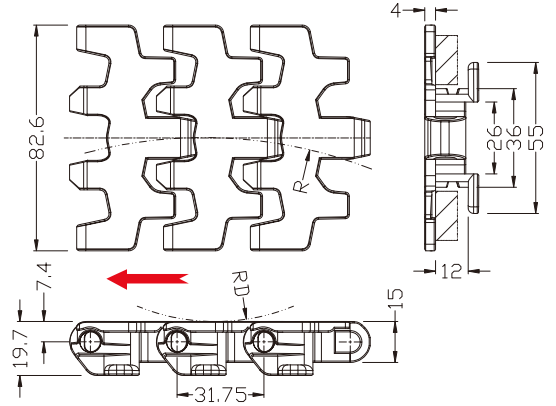
882链轮-被动链轮 Sprocket-Idler Wheel



链轮型号 Sprocket Type	齿数 Number of Teeth	孔径 Bore	分度圆 Pitch Diameter	齿顶圆 Out Side Diameter	规格 Standstd
		mm			
821-T10-CD	19	30/35/40	129.3	129.5	机加工 Machining
821-T11-CD	21	30/35/40	141.2	142.0	
821-T12-CD	23	30/35/40	153.2	154.2	

如果您需要被动链轮带有轴承请与我们联系
Please contact to us if you need the Idler Wheel with bearing

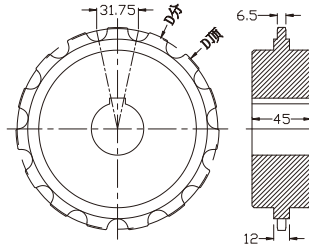
826勾脚转弯链板 Sideflex Run Single Hinge Chain



链板型号 Chain Type	链板宽度 Chain width	节距 Pitch	最小转弯半径 Sideflex Radius (Min)	最小背弯半径 Backflex Radius (Min)	工作载荷 Working Load(Max)	链板重量 Weight	链板材质 Chain Material
	mm	mm	mm	mm	牛顿 N (21℃)	Kg/m	
823TAB-K325	82.6	31.75	150	50	2250	0.9	XLHS/XLGHS/PSHS

标准包装: 3.048米/盒, 10英尺/盒 (96链节) Packing Standard: 3.048 Meters/Box 10 Feet/Box (96 Links)

826链轮-主动链轮 Sprocket-Drive Wheel



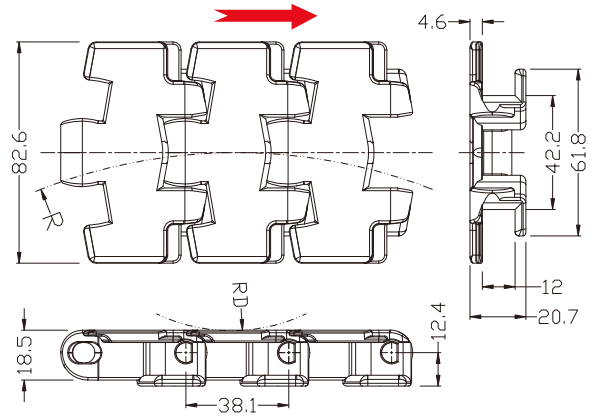
链轮型号 Sprocket Type	齿数 Number of Teeth	孔径 Bore	分度圆 Pitch Diameter	齿顶圆 Out Side Diameter	规格 Standstd
		mm	mm	mm	
826-T13-ZD	13	30/35/40	132.7	134.5	机加工 Machining
826-T15-ZD	15	30/35/40	154.5	152.7	
826-T17-ZD	17	30/35/40	193	194.8	

826链轮-被动链轮 Sprocket-Idler Wheel

链轮型号 Sprocket Type	齿数 Number of Teeth	孔径 Bore	分度圆 Pitch Diameter	齿顶圆 Out Side Diameter	规格 Standstd
		mm	mm	mm	
826-T13-CD	13	30/35/40	132.7	134.5	机加工 Machining
826-T15-CD	15	30/35/40	154.5	152.7	
826-T17-CD	17	30/35/40	193	194.8	

如果您需要被动链轮带有轴承请与我们联系
Please contact to us if you need the Idler Wheel with bearing

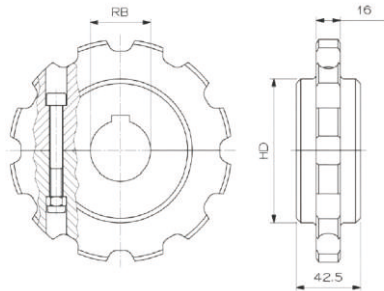
878勾脚转弯链板 Sideflex Run Single Hinge Chain



链板型号 Chain Type	链板宽度 Chain width	节距 Pitch	最小转弯半径 Sideflex Radius (Min)	最小背弯半径 Backflex Radius (Min)	工作载荷 Working Load(Max)	链板重量 Weight	链板材质 Chain Material
	mm		mm	mm	mm	牛顿 N (21℃)	
878AB-K325	82.6	38.1	200	50	2000	0.9	XLHS/XLGH/PSHS

标准包装: 3.048米/盒, 10英尺/盒 (80链节) Packing Standard: 3.048 Meters/Box 10 Feet/Box (80 Links)

878链轮-主动链轮 Sprocket-Drive Wheel



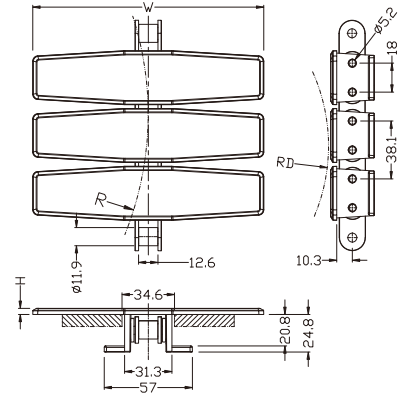
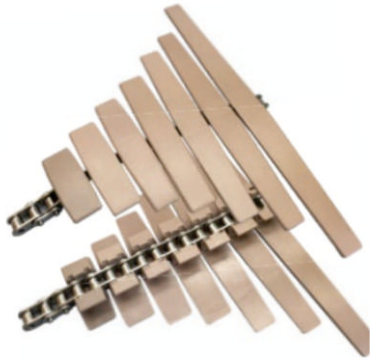
链轮型号 Sprocket Type	齿数 Number of Teeth	孔径 Bore	分度圆 Pitch Diameter	齿顶圆 Out Side Diameter	规格 Standards
		mm	mm	mm	
878-T10-ZD	10	30/35/40	123.3	122.4	机加工 Machining
878-T11-ZD	11	30/35/40	135.2	134.9	
878-T12-ZD	12	30/35/40	147.2	147.3	

878链轮-被动链轮 Sprocket-Idler Wheel

链轮型号 Sprocket Type	齿数 Number of Teeth	孔径 Bore	分度圆 Pitch Diameter	齿顶圆 Out Side Diameter	规格 Standards
		mm	mm	mm	
878-T10-CD	10	30/35/40	123.3	122.4	机加工 Machining
878-T11-CD	11	30/35/40	135.2	134.9	
878-T12-CD	12	30/35/40	147.2	147.3	

如果您需要被动链轮带有轴承请与我们联系
Please contact to us if you need the Idler Wheel with bearing

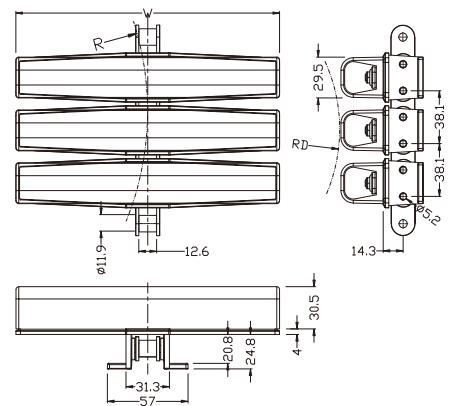
1873T转弯钢级基链板 Sideflex Steelbase Chain



链板型号 Chain Type	链板宽度 Chain width	节距 Pitch	最小转弯半径 Sideflex Raius (Min)	最小背弯半径 Backflex Radius (Min)	工作载荷 Working Load(Max) 牛顿 N (21℃)	链板重量 Weight	链板材质 Chain Material
	mm		mm	mm		mm	
1873T-K325	82.6	38.1	356	150	3400	2.1	XLHS/XLGHS/PSHS
1873T-K450	114.3					2.3	
1873T-K600	152.4	2.5					
1873T-K750	190.5	2.8					
1873T-K1000	254	3.1					
1873T-K1200	304.8	3.7					
钢基链标准为12A-1型, SteelBase chain type: 12A-1							

标准包装: 3.048米/盒, 10英尺/盒 (80链节) Packing Standard: 3.048 Meters/Box 10 Feet/Box (80 Links)

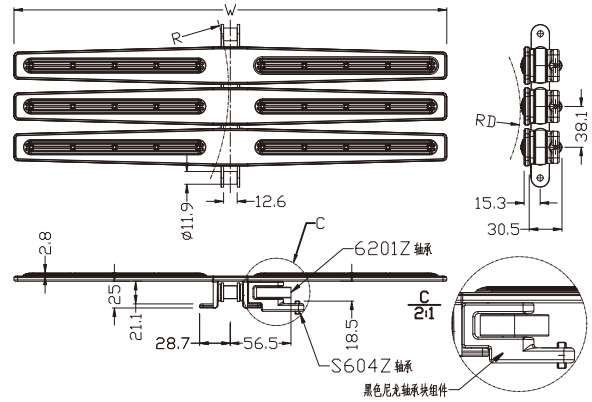
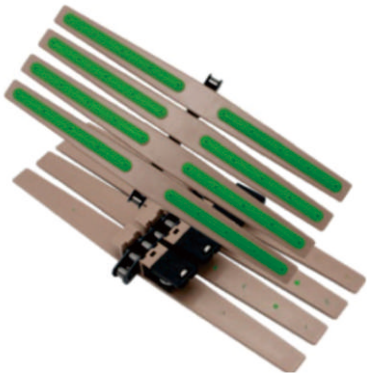
1873T夹瓶转弯钢级基链板 Gripper Sideflex steelbase Chain



链板型号 Chain Type	链板宽度 Chain width	节距 Pitch	最小转弯半径 Sideflex Raius (Min)	最小背弯半径 Backflex Radius (Min)	工作载荷 Working Load(Max) 牛顿 N (21℃)	链板重量 Weight	链板材质 Chain Material
	mm		mm	mm		mm	
1873T-K450	114.3	38.1	356	120	3400	3.5	XLHS/XLGHS/PSHS
1873T-K600	152.4					4.1	
1873T-K750	190.5	4.5					
钢基链标准为12A-1型, SteelBase chain type: 12A-1							

标准包装: 3.048米/盒, 10英尺/盒 (80链节) Packing Standard: 3.048 Meters/Box 10 Feet/Box (80 Links)

1873TG-SGS转弯钢级基链板 Sideflex Steelbase Chain

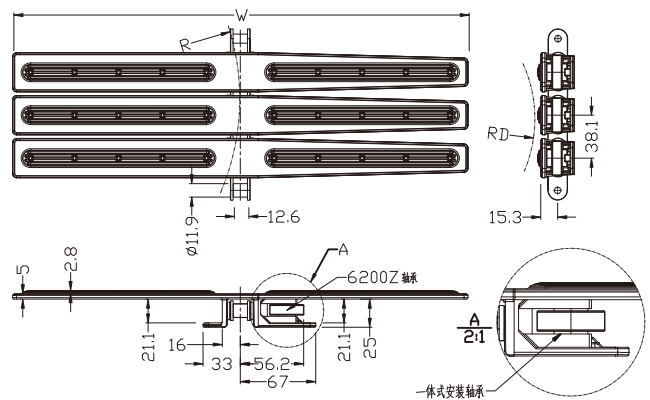


链板型号 Chain Type	链板宽度 Chain width	节距 Pitch	最小转弯半径 Sideflex Radius (Min)	最小背弯半径 Backflex Radius (Min)	工作载荷 Working Load(Max)	链板重量 Weight	链板材质 Chain Material
	mm		mm	mm			
1873TG-K1600-SGS	406.1	38.1	610	150	3400	4.4	XLHS
1873TG-K2000-SGS	508		700				

钢基链标准为12A-1型, SteelBase chain type: 12A-1

标准包装: 3.048米/盒, 10英尺/盒 (80链节) Packing Standard: 3.048 Meters/Box 10 Feet/Box (80 Links)

1873TW-SGS转弯钢级基链板 Sideflex Steelbase Chain



链板型号 Chain Type	链板宽度 Chain width	节距 Pitch	最小转弯半径 Sideflex Radius (Min)	最小背弯半径 Backflex Radius (Min)	工作载荷 Working Load(Max)	链板重量 Weight	链板材质 Chain Material
	mm		mm	mm			
1873TG-K1600-SGS	406.1	38.1	610	150	3400	3.9	XLHS
1873TG-K2000-SGS	508		700				

钢基链标准为12A-1型, SteelBase chain type: 12A-1

标准包装: 3.048米/盒, 10英尺/盒 (80链节) Packing Standard: 3.048 Meters/Box 10 Feet/Box (80 Links)