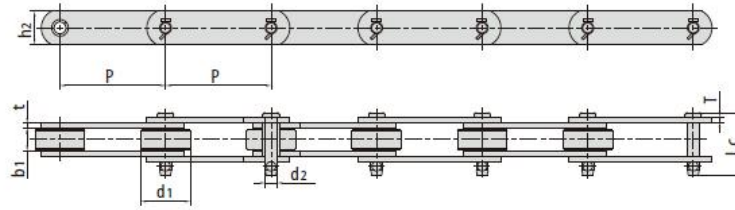
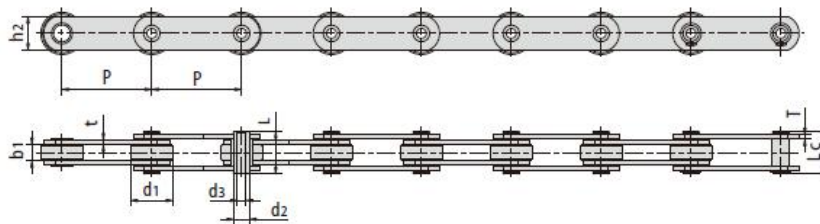


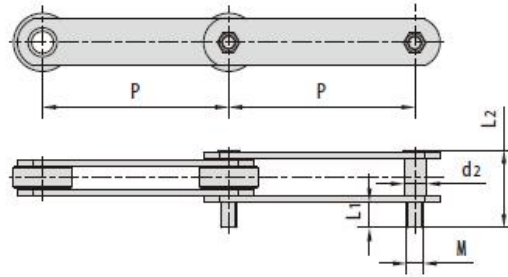
Chain No.	节距 Pitch	滚子直径 Roller diameter	内节内宽 Width between inner plates	链板高度 Plate depth	销轴直径 Pin diameter	销轴长度 Pin length		链板厚度 Plate thickness	抗拉强度 Tensile strength	平均抗拉强度 Average tensile strength	每米长重 Weight per meter
	p	d1 max	b1 min	h2 max	d2 max	L max	Lc max	t/T max	Q min	Qo	q
	mm	mm	mm	mm	mm	mm	mm	mm	kN/bf	kN	kg/m
P101.6F2	101.60	47.60	18.20	38.10	19.10	48.00	65.0	5.0	97.8/22000	107.58	6.75
P0 101.6F12	101.60	47.50	19.00	40.00	19.10	45.80	52.5	5.0/4.0	130.0/29224	143.00	6.84
P0 101.6F15	101.60	66.70	26.00	50.00	26.90	65.80	87.0	7.1	200.0/45454	200.00	15.10
P 152F5	152.40	66.70	25.40	50.00	26.90	61.20	80.0	7.1	134.0/30123	147.40	12.16
P152F14	152.40	47.60	18.20	38.10	19.10	48.00	52.0/50.5	5.0	89.0/20000	97.90	5.66
P152F17	152.40	66.70	25.40	50.80	27.00	67.50	95.0	8.0	163.3/36710	179.60	12.83
P152F29	152.40	66.70	25.40	50.80	27.00	69.50	111.5	9.0/8.0	200.0/45454	220.00	13.54
P0 152F1	152.40	88.90	38.10	70.00	32.00	93.80	101.5	12.0/9.5	444.53/99930	488.98	30.28
P0 152F3	152.40	66.70	25.40	50.80	27.00	-	110.0	8.0	163.3/36710	180.00	13.50
P0 152F4	152.40	69.85	38.10	57.15	21.84	101.00	110.0	12.7	440.0/98912	484.00	22.77
P0 152F7	152.40	88.90	38.00	61.00	31.80	83.50	92.0	10.0/8.0	380.0/85242	418.00	23.50
P0 152F17	152.40	66.70	25.40	50.80	27.00	67.50	78.0	8.0	163.3/36710	179.63	12.83
P0 152F22	152.40	66.70	26.00	50.00	27.00	59.30	69.8	7.0/5.0	200.0/45454	220.00	10.90
P0 152F23	152.40	66.70	26.00	50.00	26.90	61.80	69.1	7.1/5.1	200.0/45454	220.00	10.90
P0 152F24	152.40	88.90	38.00	60.00	32.00	85.40	96.0	10.0/8.0	380.0/85242	418.00	23.00
P0 152F25	152.40	88.90	38.00	60.00	32.00	89.40	120.3	10.0	380.0/85242	418.00	24.20
P0 152F26	152.40	66.70	26.00	50.00	26.90	65.80	87.0	7.1	200.0/45454	220.00	11.90
P0 152F27	152.40	66.70	25.40	50.80	27.00	71.50	99.0	9.0	267.0/60022	293.70	14.00



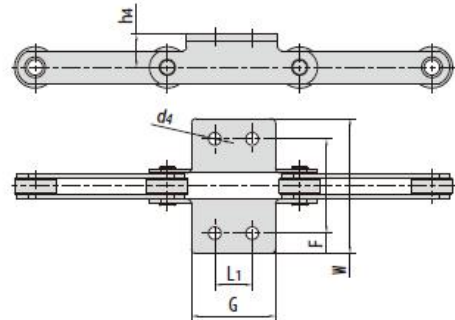
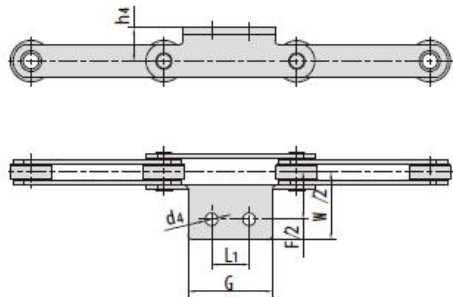
Chain No.	节距 Pitch	滚子直径 Roller diameter	内节内宽 Width between inner plates	链板高度 Plate depth	销轴直径 Pin diameter		销轴长度 Pin length	链板厚度 Plate thickness	抗拉强度 Tensile strength	平均抗拉强度 Average tensile strength	每米长重 Weight per meter
	P	d1 max	b1 min	h2 max	d2 max	Lc max	t/T max	Q min	Q0	q	
	mm	mm	mm	mm	mm	mm	mm	mm	kN/bf	kN	kg/m
P76.7	76.20	29.00	30.00	38.10	14.50	73.00	6.3	100.00/25000	110.00	8.25	
90R-S	101.60	47.60	21.40	31.80	11.32	55.70	4.8	80.36/18065	88.40	5.90	
P101.6F2(e)	101.60	47.60	18.20	38.10	19.10	57.00	5.0	97.80/21985	107.58	6.94	
P101.6F64	101.60	50.80	30.00	38.10	14.50	69.00	6.3	132.70/29831	146.00	7.30	
P152F5(b)	152.40	66.70	25.40	50.00	26.90	68.50	7.1/5.1	134.00/30123	147.40	11.50	
P152F31	152.40	88.90	38.10	61.00	31.80	98.50	10.0	266.72/60000	293.00	26.60	
P160F16	160.00	69.85	38.10	50.80	27.00	101.00	9.0/8.0	267.00/60022	293.70	16.60	
P160F27	160.00	69.85	38.10	50.80	17.53	81.00	6.3	244.00/54851	268.40	13.68	



Chain No.	节距 Pitch	滚子直径 Roller diameter	内节内宽 Width between inner plates	链板高度 Plate depth	销轴直径 Pin diameter			销轴长度 Pin length		链板厚度 Plate thickness	抗拉强度 Tensile strength	平均抗拉强度 Average tensile strength	每米长重 Weight per meter
	P	d1 max	b1 min	h2 max	d2 max	d3 min	L max	Lc max	t/T max	Q min	Q0	q	
	mm	mm	mm	mm	mm	mm	mm	mm	mm	mm	kN/bf	kN	kg/m
P101.6F2-HP	101.60	47.60	18.20	38.10	19.10	13.20	44.8	46.5	5.0	66.68/14990	73.35	6.18	
P152F3(New)	152.40	66.70	25.40	50.80	27.00	20.10	65.5	67.0	8.0	163.30/36710	179.60	11.73	
P152F29-HP	152.40	66.70	25.40	50.80	27.00	20.10	68.5	70.0	9.0/8.0	222.30/49973	244.53	12.40	
P0152F6-HP	152.40	66.70	26.00	55.00	27.50	19.43	60.0	62.5	7.5/5.5	220.00/49456	242.00	11.10	



Chain No.	节距 Pitch	销轴直径 Pin diameter	螺纹直径 Diameter of thread	加长销加长部分尺寸 Extended part size of the extended pin	销轴长度 Pin length	加长销装配方式 Assembly method of the extended pin
	P	$d_{2max}$	M	L1	$L_{2max}$	
	mm	mm	mm	mm	mm	
P 101.6F2	101.60	19.10	M 16	36.00	80.00	每节、每4节、 每6节、每8节等 every link every 4 link every 6 link every 8 link etc
P 152F5	152.40	26.90	M 20	24.00	80.00	
P 152F17	152.40	27.00	M 24	50.00	115.00	
P0 152F1	152.40	32.00	M 30	64.00	154.00	
P0 152F3	152.40	27.00	M 20	45.00	110.00	
P0 152F4	152.40	21.84	0.75-UNC-2	88.10	134.10	
P0 152F25	152.40	32.00	M 24	50.00	136.00	



Chain No.	P	L1	G	F	W	$d_4$	$h_4$
	mm	mm	mm	mm	mm	mm	mm
90R-S	101.60	31.80	63.50	89.00	124.00	15.90	10.70
P 101.6F2	101.60	31.80	71.60	88.80	123.40	31.80	10.70
P 101.6F2K2 (d)	101.60	40.00	70.00	78.00	105.00	32.00	11.50
P 152F 17	152.40	57.20	106.70	116.00	154.00	38.10	12.30
P 152F 29	152.40	57.20	106.70	118.00	156.00	38.10	12.30
P 76.7	76.70	-	47.00	111.10	145.00	25.40	12.00