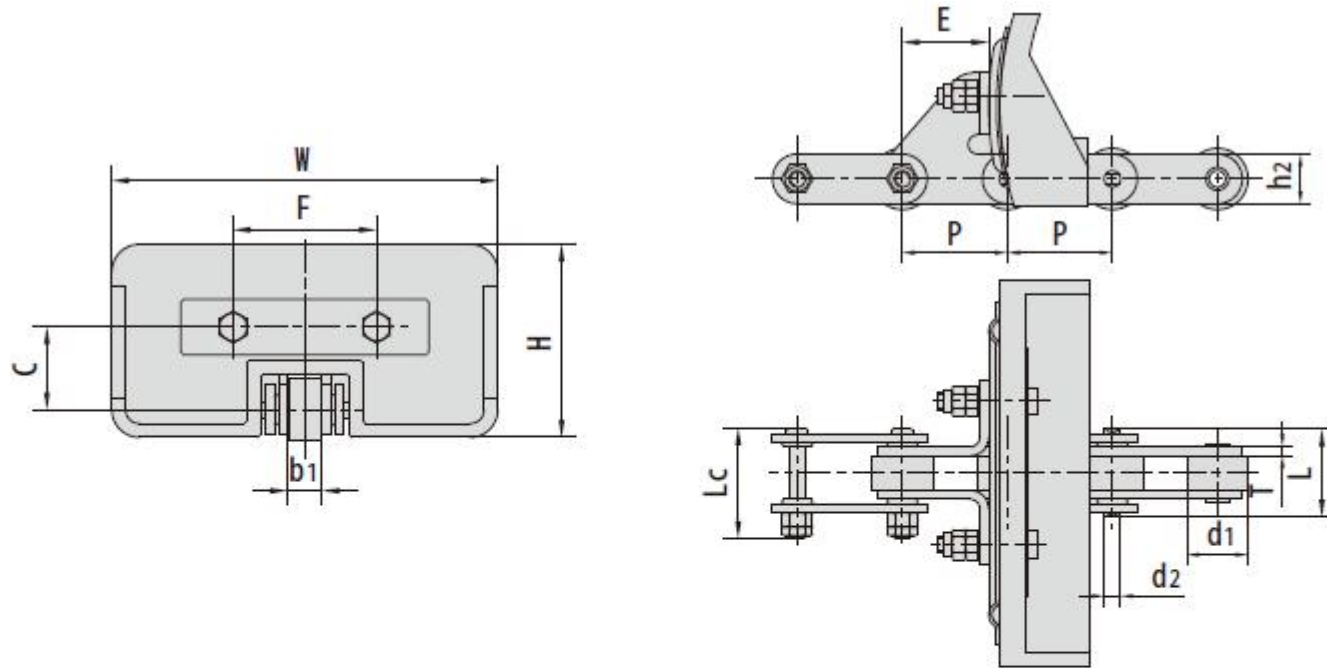


Chain No.	节距 Pitch	滚子直径 Roller diameter	内节内宽 Width between inner plates	销轴直径 Pin diameter	销轴长度 Pin length			链板尺寸 Plate dimension		抗拉强度 Tensile strength	每米长重 Weight per meter
	P	d1 max	b1 min	d2 max	L1 max	L2 max	Lc max	h2 max	T max	Q min	q
	mm	mm	mm	mm	mm	mm	mm	mm	mm	kN/bf	kg/m
C 2040H0R-W K1F1	25.4	7.95	7.85	3.96	20.5	20.5	26.0	12	2.03	14.1/3170	0.78
C 2060F770R	38.1	11.91	12.57	5.95	28.5	30.1	37.1	17	2.42	39.2/8813	1.41

Chain No.	P	Ta	G	F	W	h4	d4
	mm	mm	mm	mm	mm	mm	mm
C 2040H0R-W K1F1	25.4	2.03	37.4	62.0	80.0	9.5	7.0
C 2060F770R	38.1	3.25	20.0	48.0	69.0	14.7	10.5



Chain No.	节距	滚子直径	内节内宽	销轴直径	销轴长度		链板尺寸		附板尺寸					抗拉强度
	Pitch	Roller diameter	Width between inner plates	Pin diameter	L	Lc	h2	T	C	W	F	H	E	Q _{min}
	mm	d1 max	b1 min	d2 max	mm	mm	mm	mm	mm	mm	mm	mm	mm	mm
C 2062H 0RSDF1	38.1	22.23	12.57	5.94	31.7	40.0	18.0	3.25	30.0	140.0	52.0	70.0	31.4	31.8/150