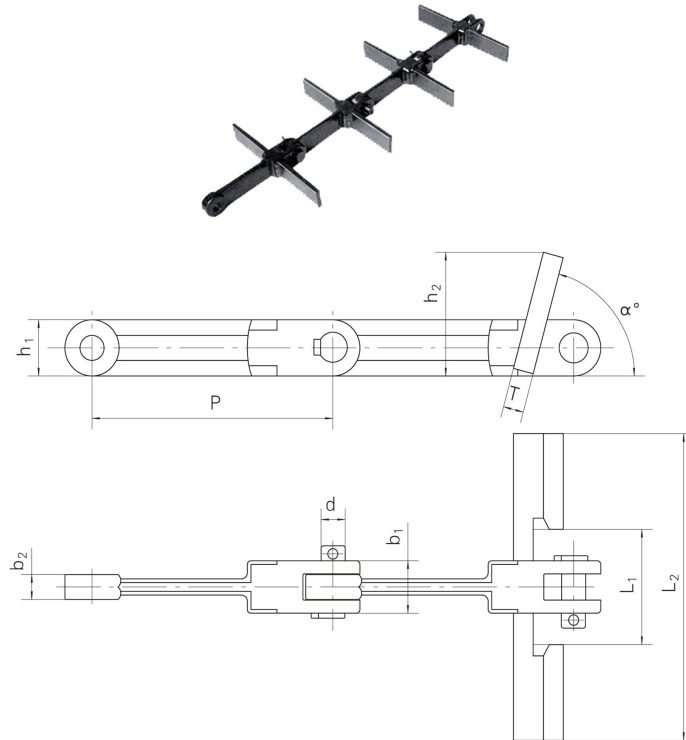


水泥工业链 Cement Industrial Chains

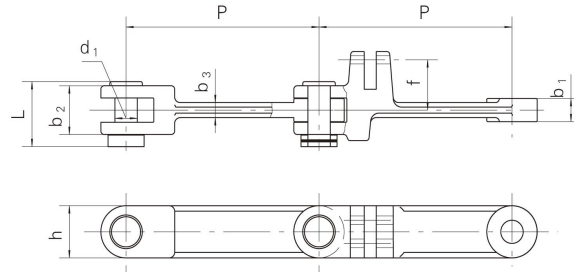
模锻刮板链 Drop Forging Scraper Chain



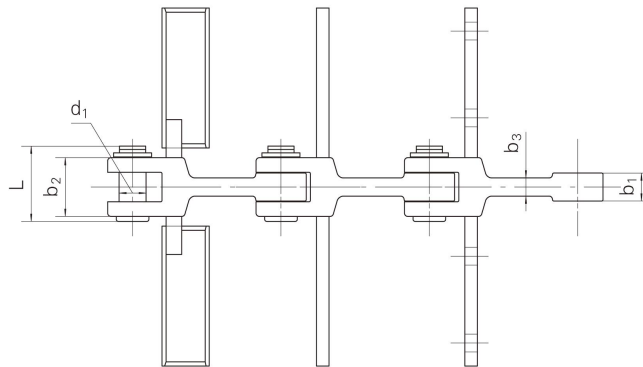
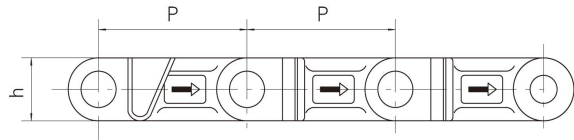
| 链号 | 节距 | 销轴 | 链板高度 | 链板厚度 | | 刮板尺寸 | | | | | 最小抗拉强度 |
|-----------|-------|----------------|-------------------|----------------------|----------------|-----------------------|----------------|----------------|----|----|---------------------------|
| Chain No. | Pitch | Pin | Height of Sidebar | Thickness of Sidebar | | Dimensions of Scraper | | | | | Ultimate Tensile Strength |
| | P | d ₂ | h ₁ | b ₁ | b ₂ | L ₁ | L ₂ | h ₂ | α | T | Fu(min) |
| YD750 | 200 | 25 | 50 | 54 | 22 | 103 | 586 | 80 | 90 | 14 | 390 |
| YD640 | 142 | 20 | 45 | 42 | 20 | - | 605 | 45 | 90 | 12 | 300 |
| YD640A | 142 | 23 | 48 | 42 | 18 | - | 300 | 48 | 75 | 14 | 230.0 |
| YD640C | 142 | 25 | 50 | 54 | 22 | 80 | 590 | 50 | 90 | 14 | 262.4 |
| YD640D | 150 | 25 | 50 | 54 | 22 | 90 | 590 | 82 | 90 | 14 | 262.4 |
| YD200 | 200 | 18 | 40 | 38 | 16 | - | 177 | 40 | 75 | 8 | 162.0 |
| YD310 | 200 | 20 | 46 | 44 | 20 | - | 280 | 46 | 75 | 12 | 162.0 |

水泥工业链 Cement Industrial Chains

模锻刮板链 Drop Forging Scraper Chains



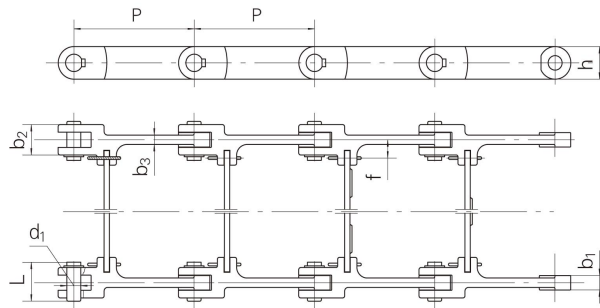
| P | d ₁ (mm) | b ₁ (mm) | b ₂ (mm) | b ₃ (mm) | f (mm) | L (mm) | h (mm) |
|-----|---------------------|---------------------|---------------------|---------------------|--------|--------|--------|
| 142 | 25 | 19 | 43 | 12.2 | 35 | 69 | 50 |



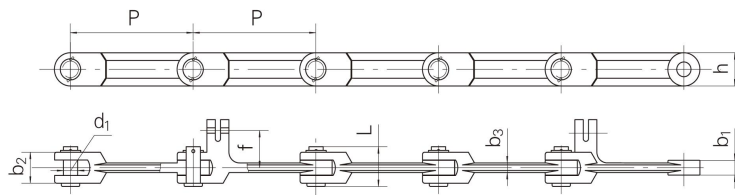
| P | d ₁ (mm) | b ₁ (mm) | b ₂ (mm) | b ₃ (mm) | L (mm) | h (mm) |
|-----|---------------------|---------------------|---------------------|---------------------|--------|--------|
| 142 | 25 | 29 | 62 | 15 | 82 | 50 |

水泥工业链 Cement Industrial Chains

模锻刮板链 Drop Forging Scraper Chain



| P | d ₁ (mm) | h (mm) | b ₁ (mm) | b ₂ (mm) | b ₃ (mm) | f (mm) | L (mm) |
|-----|---------------------|--------|---------------------|---------------------|---------------------|--------|--------|
| 200 | 25 | 50 | 24 | 58 | 17 | 38 | 75 |



| P | d ₁ (mm) | h (mm) | b ₁ (mm) | b ₂ (mm) | b ₃ (mm) | f (mm) | L (mm) |
|-----|---------------------|--------|---------------------|---------------------|---------------------|--------|--------|
| 200 | 32 | 64 | 23 | 50 | 15 | 66 | 75 |