



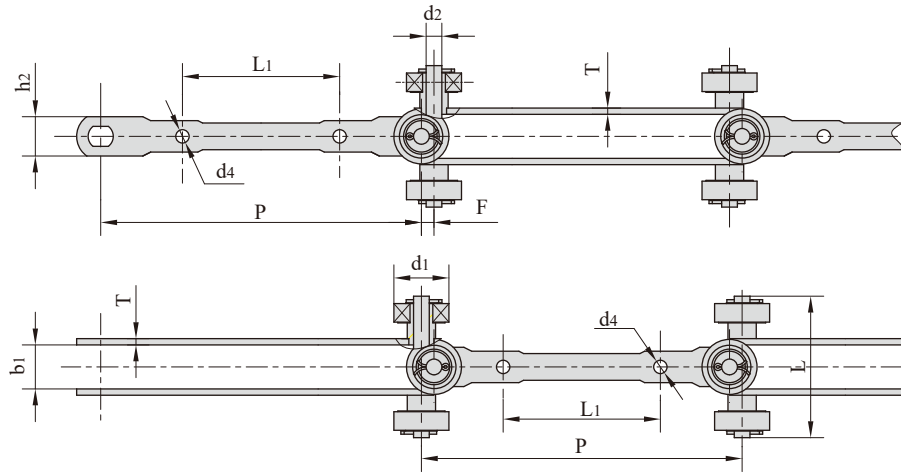
Double hinged conveyor chains

**杭州四海传动件有限公司**  
**Hangzhou Ocean Industry CO. Ltd.**

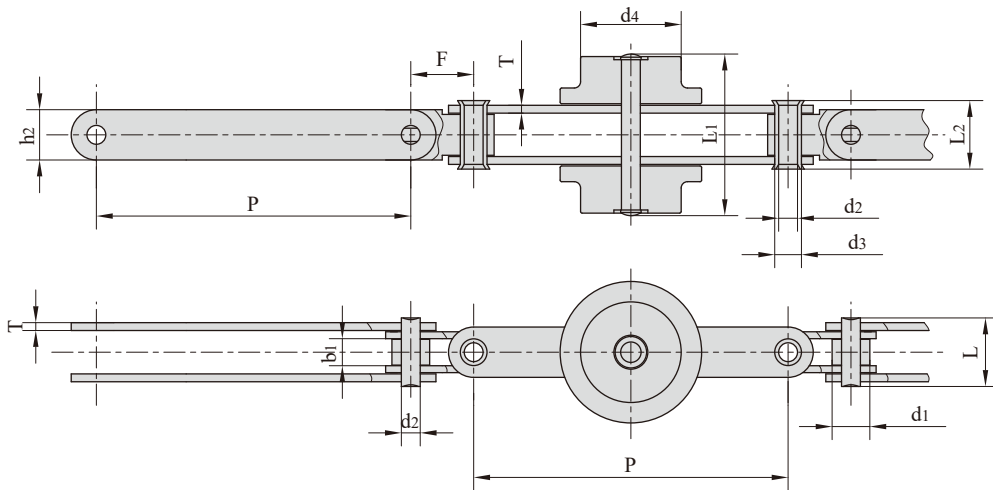
**Tel:0086-571-88842852**  
**Fax:0086-571-88844378**  
**E-mail:oceaindustry@vip.163.com**

**电话:0086-571-88842852**  
**传真:0086-571-88844378**  
**邮箱:oceaindustry@vip.163.com**

Universal movement conveyor chains

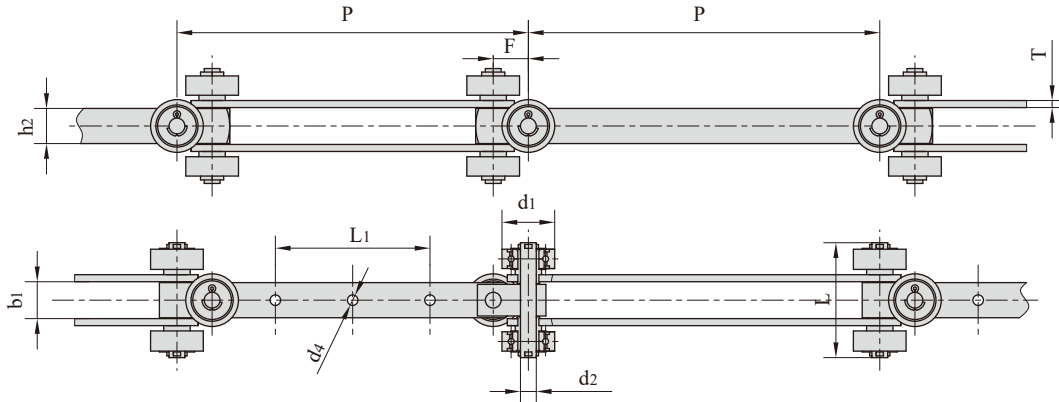


| Chain No. | Pitch | Roller diameter |        | Width between outer plates |        | Pin diameter |        | Pin length |     | plate dimension |            | Attachment dimension |  |  | Tensile strength |
|-----------|-------|-----------------|--------|----------------------------|--------|--------------|--------|------------|-----|-----------------|------------|----------------------|--|--|------------------|
|           | P     | d1 max          | d4 max | b1 min                     | d2 max | L max        | h2 max | T max      | L1  | d4              | F          | Q min                |  |  |                  |
|           | mm    | mm              | mm     | mm                         | mm     | mm           | mm     | mm         | mm  | mm              | mm         | kN/lbf               |  |  |                  |
| P210      | 204.0 | 35.0            | 27.5   | 10.0                       | 90.0   | 25.0         | 4.0    | 100.0      | 8.5 | 8.0             | 50.0/11364 |                      |  |  |                  |
| SJ406S-50 | 203.2 | 35.0            | 27.5   | 10.0                       | 90.0   | 25.0         | 4.0    | 100.0      | 8.5 | 11.0            | 50.0/11364 |                      |  |  |                  |

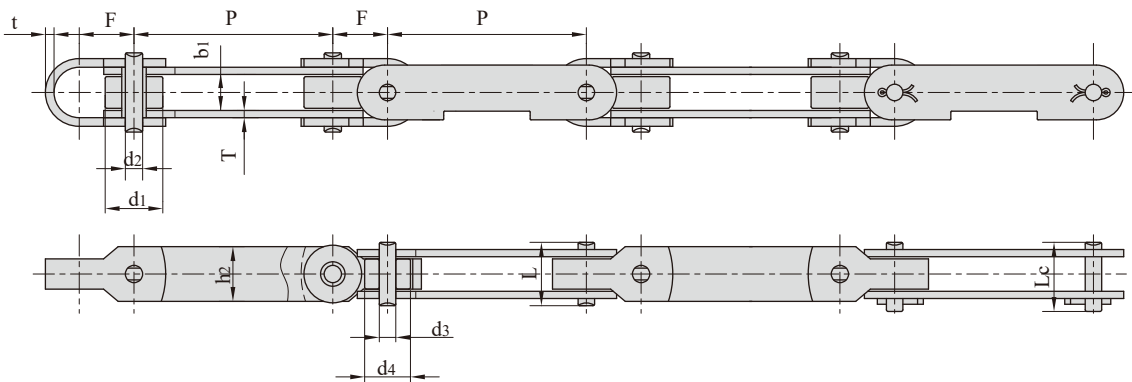


| Chain No. | Pitch | Roller diameter |        | Width between inner plates |     | Pin diameter |       | Pin length |        |        | Plate dimension |      | Attachment dimension | Tensile strength |
|-----------|-------|-----------------|--------|----------------------------|-----|--------------|-------|------------|--------|--------|-----------------|------|----------------------|------------------|
|           | P     | d1 max          | d4 max | b1 min                     | d2  | d3           | L max | L1 max     | L2 max | h2 max | T max           | F    | Q min                |                  |
|           | mm    | mm              | mm     | mm                         | mm  | mm           | mm    | mm         | mm     | mm     | mm              | mm   | kN/lbf               |                  |
| P100F11   | 100.0 | 12.0            | 32.0   | 8.6                        | 6.0 | 8.5          | 22.0  | 53.0       | 22.0   | 16.0   | 2.5             | 20.0 | 20.0/4545            |                  |

Universal movement conveyor chains

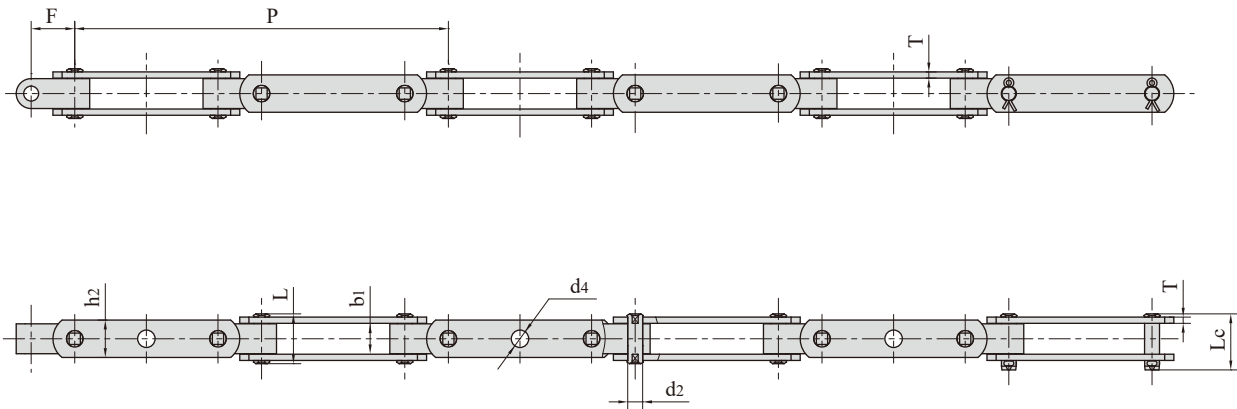


| Chain No.   | Pitch | Roller diameter | Width between outer plates | Pin diameter | Pin length | plate dimension |       | Attachment dimension |       |      | Tensile strength |
|-------------|-------|-----------------|----------------------------|--------------|------------|-----------------|-------|----------------------|-------|------|------------------|
|             | p     | d1 max          | b1 min                     | d2 max       | L max      | h2 max          | T max | L1                   | d4    | F    | Q min            |
|             | mm    | mm              | mm                         | mm           | mm         | mm              | mm    | mm                   | mm    | mm   | kN/lbf           |
| SJ400-40    | 200.0 | 30.0            | 20.0                       | 9.0          | 65.0       | 20.0            | 3.0   | 88.0                 | 6.44  | 20.0 | 15.0/3374        |
| SJ400-60    | 200.0 | 35.0            | 21.0                       | 10.0         | 64.5       | 20.0            | 4.0   | 88.0                 | 6.50  | 20.0 | 60.0/13497       |
| SJ400-100   | 200.0 | 40.0            | 26.0                       | 14.0         | 75.0       | 30.0            | 4.0   | 88.0                 | 10.00 | 25.0 | 100.0/22495      |
| SJ400F1-120 | 200.0 | 45.0            | 32.0                       | 14.0         | 102.0      | 30.0            | 6.0   | 85.0                 | 10.50 | 20.0 | 100.0/22495      |
| SJ400F3-120 | 200.0 | 45.0            | 31.0                       | 14.0         | 102.0      | 30.0            | 6.0   | 85.0                 | 10.50 | 20.0 | 100.0/22495      |
| SJ405S-60   | 203.2 | 47.0            | 30.0                       | 14.0         | 95.0       | 30.0            | 4.0   | 76.2                 | 8.40  | 16.5 | 50.0/11247       |
| SJ405SF1-60 | 203.2 | 47.0            | 36.0                       | 14.0         | 95.0       | 30.0            | 4.0   | 76.2                 | 8.40  | 16.5 | 60.0/13497       |



| Chain No. | Pitch | Roller diameter |        | Width between inner plates | Pin diameter |      | Pin length |        | plate dimension |       | Attachment dimension |     | Tensile strength |
|-----------|-------|-----------------|--------|----------------------------|--------------|------|------------|--------|-----------------|-------|----------------------|-----|------------------|
|           | p     | d1 max          | d4 max | b1 min                     | d2           | d3   | L max      | Lc max | h2 max          | T max | F                    | t   | Q min            |
|           | mm    | mm              | mm     | mm                         | mm           | mm   | mm         | mm     | mm              | mm    | mm                   | mm  | kN/lbf           |
| P69F2     | 69.0  | 20.0            | 15.9   | 8.6                        | 6.0          | 5.72 | 22.0       | 24.0   | 19.0            | 2.5   | 19.0                 | 3.0 | 20.0/4545        |

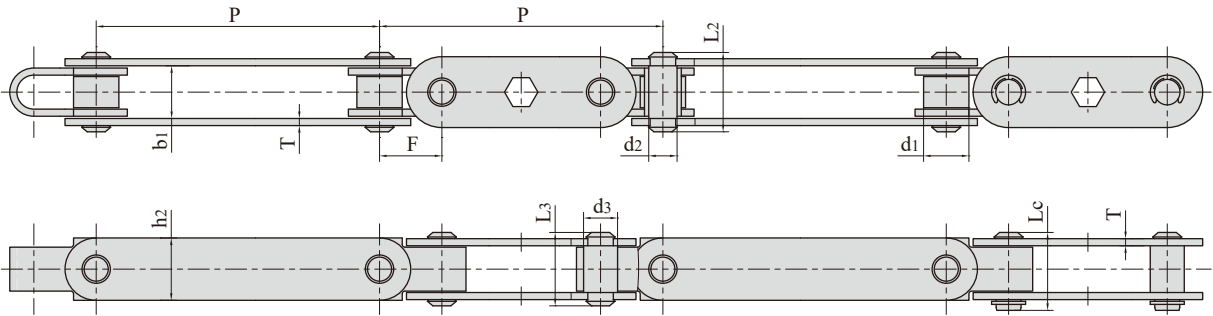
Universal movement conveyor chains



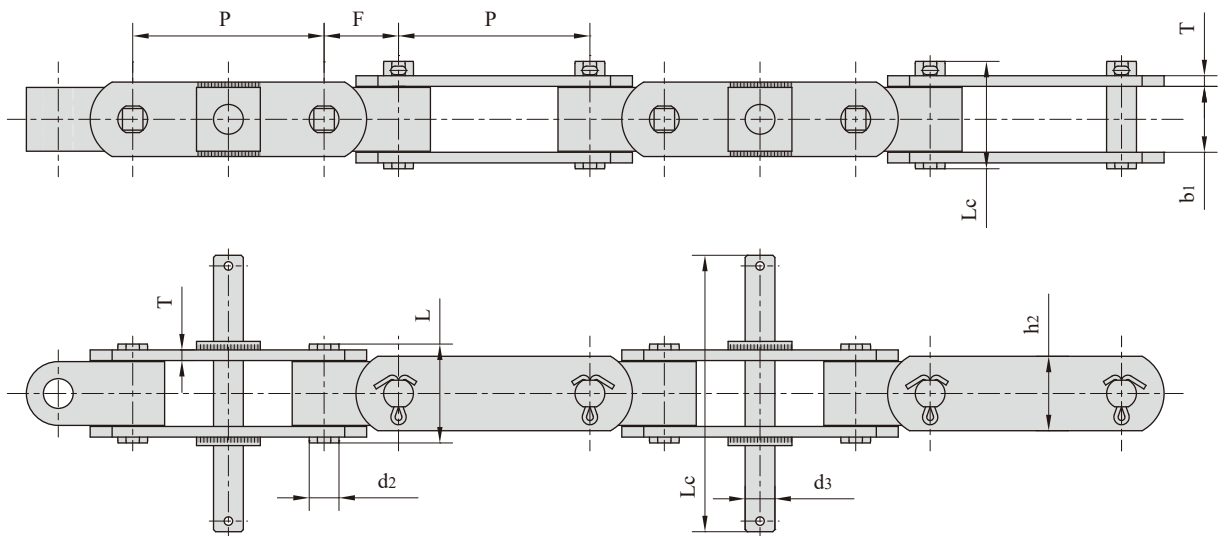
| Chain No | Pitch  | Width between outer plates | Pin diameter | Pin length |           | plate depth | plate thickness | Attachment dimension |       | Tensile strength | Average tensile strength | Weight per meter |
|----------|--------|----------------------------|--------------|------------|-----------|-------------|-----------------|----------------------|-------|------------------|--------------------------|------------------|
|          | P      | $b_1$ min                  | $d_2$ max    | L max      | $L_c$ max | $h_2$ max   | T max           | F                    | $d_4$ | Q min            | $Q_0$                    | q                |
|          | mm     | mm                         | mm           | mm         | mm        | mm          | mm              | mm                   | mm    | kN/lbf           | kN                       | kg/m             |
| SJ250F3  | 250.   | 24.6                       | 12.0         | 40.0       | 45.0      | 30.0        | 5.0             | 35.0                 | 14.0  | 90/20230         | 94.0                     | 4.41             |
| SJ250F4  | 00250. | 31.0                       | 16.0         | 48.0       | 53.0      | 35.0        | 6.0             | 35.0                 | 18.0  | 150/33720        | 160.0                    | 6.90             |
| SJ266.66 | 00266. | 25.0                       | 12.0         | 40.0       | 45.0      | 30.0        | 5.0             | 35.0                 | 14.0  | 100/22480        | 105.0                    | 4.28             |
| SJ280    | 66280. | 31.0                       | 16.0         | -          | 60.7      | 40.0        | 6.0             | 40.0                 | 16.0  | 112/25177        | 117.6                    | 7.00             |
| SJ300F3  | 00300. | 24.6                       | 12.0         | 40.0       | 45.0      | 30.0        | 5.0             | 35.0                 | 14.0  | 90/20230         | 94.0                     | 4.02             |
| SJ300F4  | 00300. | 31.0                       | 16.0         | 48.0       | 53.0      | 35.0        | 6.0             | 35.0                 | 18.0  | 150/33720        | 160.0                    | 6.22             |

00

Universal movement conveyor chains

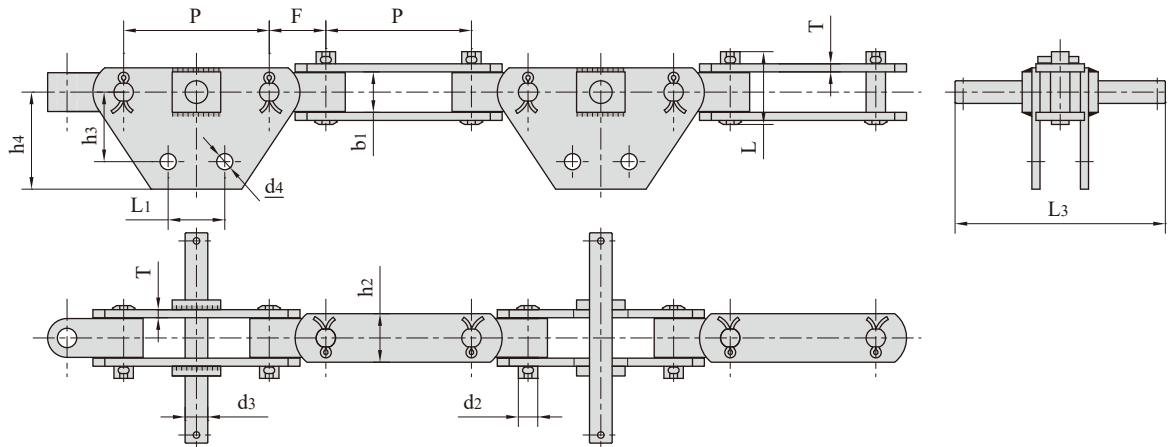


| Chain No. | Pitch | Roller diameter | Width between outer plates | Pin diameter |        | Pin length |        |        | plate dimension |       | Attachment dimension | Tensile strength |
|-----------|-------|-----------------|----------------------------|--------------|--------|------------|--------|--------|-----------------|-------|----------------------|------------------|
|           | p     | d1 max          | b1 min                     | d2 max       | d3 max | L2 max     | L3 max | Lc max | h2 max          | T max | F                    | Q min            |
|           | mm    | mm              | mm                         | mm           | mm     | mm         | mm     | mm     | mm              | mm    | mm                   | kN/lbf           |
| SJ240F1   | 120.0 | 16.0            | 18.6                       | 10.0         | 12.0   | 28.0       | 25.9   | 27.5   | 22.0            | 2.5   | 22.0                 | 30.0/6744        |

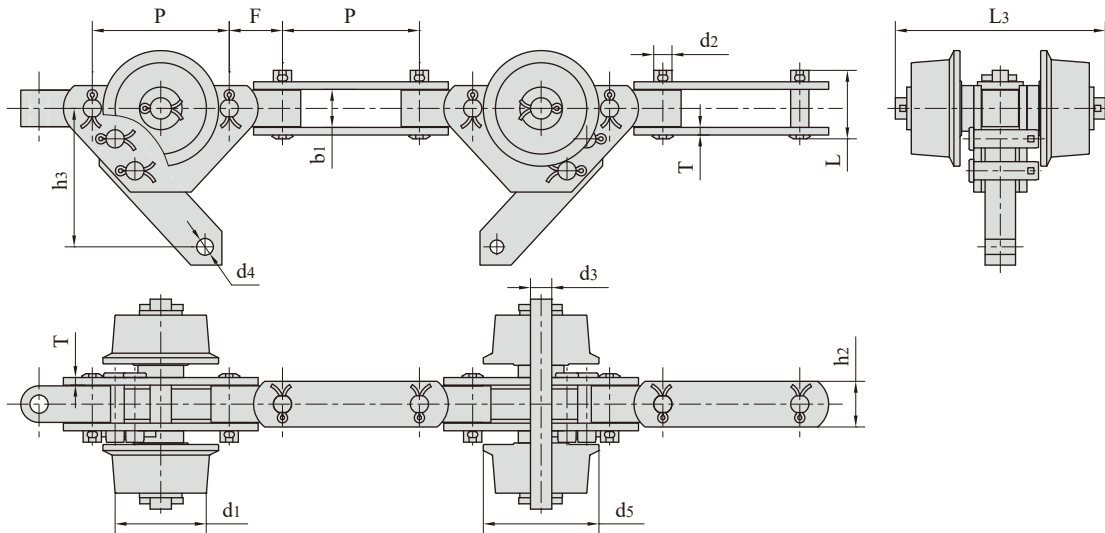


| Chain No. | Pitch | Width between outer plates | Pin diameter |        | Pin length |        |        | plate dimension |       | Attachment dimension | Tensile strength |
|-----------|-------|----------------------------|--------------|--------|------------|--------|--------|-----------------|-------|----------------------|------------------|
|           | p     | b1 min                     | d2 max       | d3 max | L max      | Lc max | L1 max | h2 max          | T max | F                    | Q min            |
|           | mm    | mm                         | mm           | mm     | mm         | mm     | mm     | mm              | mm    | mm                   | kN/lbf           |
| SJ250F6   | 90.0  | 31.0                       | 14.0         | 14.0   | 46.5       | 50.5   | 130.0  | 35.0            | 5.0   | 35.0                 | 100.0/22480      |
| SJ300F9   | 115.0 | 31.0                       | 16.0         | 18.0   | 48.0       | 53.0   | 130.0  | 35.0            | 6.0   | 35.0                 | 125.0/28100      |

Universal movement conveyor chains

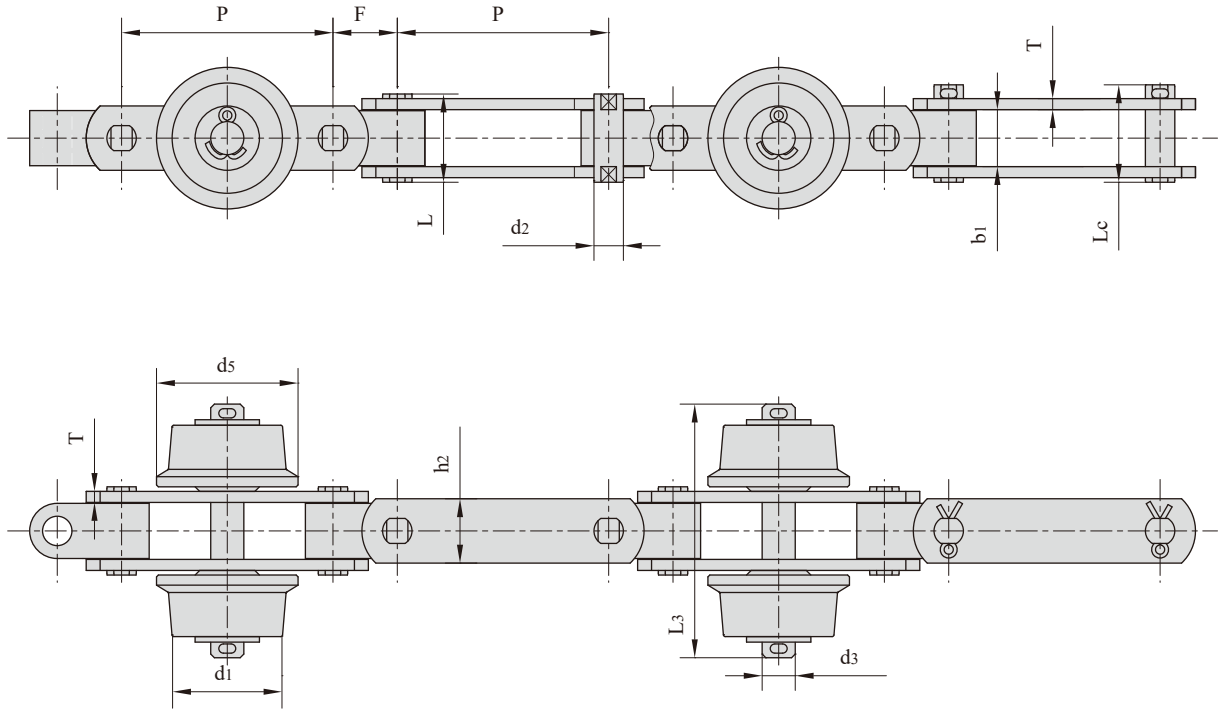


| Chain No. | Pitch | Width between outer plates |        | Pin diameter |       | Pin length |        | plate dimension |      | Attachment dimension |      |      | Tensile strength |             |
|-----------|-------|----------------------------|--------|--------------|-------|------------|--------|-----------------|------|----------------------|------|------|------------------|-------------|
|           | p     | b1 min                     | d2 max | d3 max       | L max | L3 max     | h2 max | T max           | h3   | h4                   | L1   | d4   | F                | Q min       |
|           | mm    | mm                         | mm     | mm           | mm    | mm         | mm     | mm              | mm   | mm                   | mm   | mm   | mm               | kN/lbf      |
| SJ250F9   | 90.0  | 25.0                       | 12.0   | 14.0         | 45.0  | 130.0      | 30.0   | 5.0             | 55.0 | 72.0                 | 35.0 | 10.0 | 35.0             | 90.0/20232  |
| SJ300F2   | 110.0 | 30.4                       | 16.0   | 16.0         | 58.0  | 132.0      | 40.0   | 6.0             | 55.0 | 70.0                 | 32.0 | 12.0 | 40.0             | 230.0/51704 |
| SJ300F13  | 115.0 | 31.0                       | 16.0   | 18.0         | 53.0  | 155.0      | 35.0   | 6.0             | 33.0 | 52.5                 | 30.0 | 13.0 | 35.0             | 150.0/33720 |



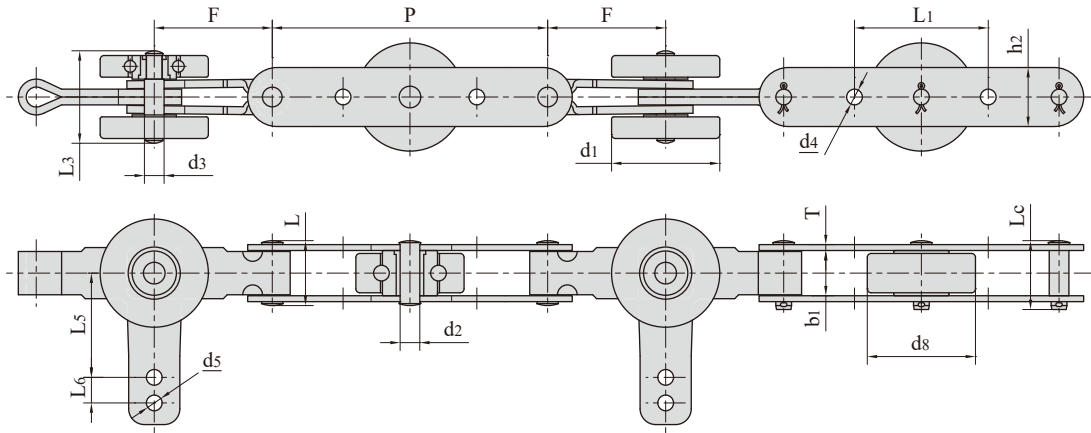
| Chain No. | Pitch | Pin diameter |        | Width between outer plates | Pin diameter |        | Pin length |        | plate dimension |       | Attachment dimension |      |      | Tensile strength |
|-----------|-------|--------------|--------|----------------------------|--------------|--------|------------|--------|-----------------|-------|----------------------|------|------|------------------|
|           | p     | d1 max       | d5 max | b1 min                     | d2 max       | d3 max | L max      | L3 max | h2 max          | T max | h3                   | d4   | F    | Q min            |
|           | mm    | mm           | mm     | mm                         | mm           | mm     | mm         | mm     | mm              | mm    | mm                   | mm   | mm   | kN/lbf           |
| SJ250F11  | 90.0  | 60.0         | 76.0   | 25.0                       | 12.0         | 14.0   | 45.0       | 138.0  | 30.0            | 5.0   | 35.0                 | 10.0 | 35.0 | 90.0/20232       |

Universal movement conveyor chains

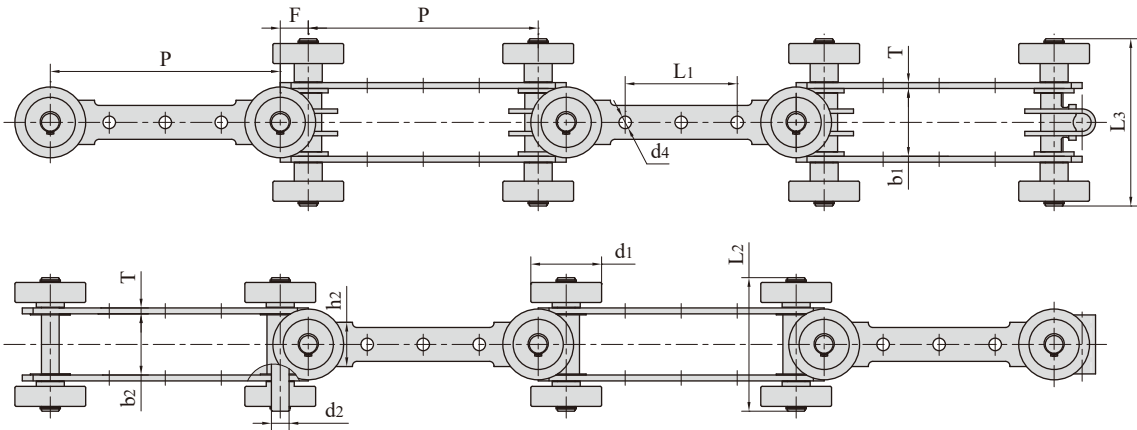


| Chain No. | Pitch | Pin diameter |        | Width between outer plates | Pin diameter |        | Pin length |        |        | plate dimension |       | Attachment dimension | Tensile strength |
|-----------|-------|--------------|--------|----------------------------|--------------|--------|------------|--------|--------|-----------------|-------|----------------------|------------------|
|           | p     | d1 max       | d5 max | b1 min                     | d2 max       | d3 max | L max      | Lc max | L3 max | h2 max          | T max | F                    | Q min            |
|           | mm    | mm           | mm     | mm                         | mm           | mm     | mm         | mm     | mm     | mm              | mm    | mm                   | kN/lbf           |
| SJ250F7   | 90.0  | 60.0         | 77.0   | 25.0                       | 12.0         | 14.0   | -          | 45.0   | 135.0  | 30.0            | 5.0   | 35.0                 | 50.0/11240       |
| SJ300F8   | 115.0 | 60.0         | 77.0   | 31.0                       | 16.0         | 18.0   | 48.0       | 53.0   | 138.0  | 35.0            | 6.0   | 35.0                 | 150.0/33720      |

Universal movement conveyor chains



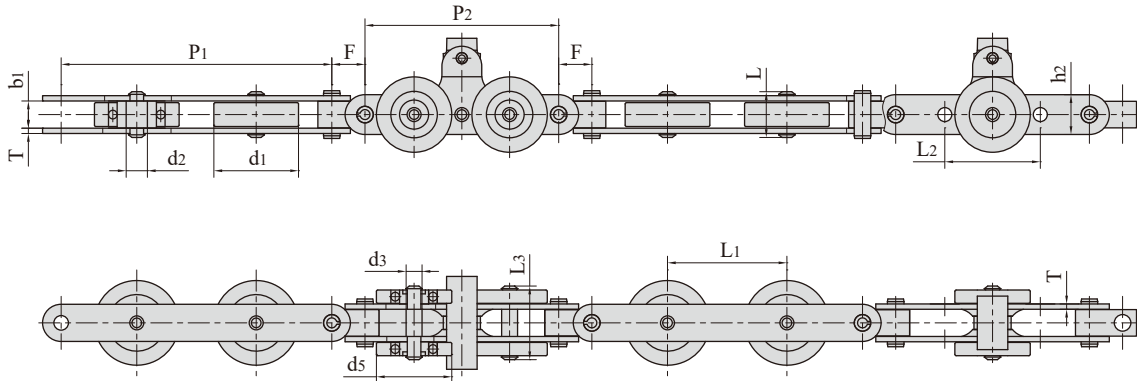
| Chain No. | Pitch |        | Pin diameter |        | Width between outer plates |        | Pin length |        |        | plate dimension |       |      | Attachment dimension |      |     |     |       | Tensile strength |
|-----------|-------|--------|--------------|--------|----------------------------|--------|------------|--------|--------|-----------------|-------|------|----------------------|------|-----|-----|-------|------------------|
|           | P     | d1 max | d8 max       | b1 min | d2 max                     | d3 max | L max      | Lc max | L3 max | h2 max          | T max | L1   | L5                   | L6   | d4  | d5  | F     | Q min            |
|           | mm    | mm     | mm           | mm     | mm                         | mm     | mm         | mm     | mm     | mm              | mm    | mm   | mm                   | mm   | mm  | mm  | mm    | kN/lbf           |
| SJ184F1   | 111.3 | 55.0   | 46.0         | 23.0   | 10.0                       | 10.0   | 38.0       | -      | 45.5   | 25.6            | 4.0   | 68.8 | 53.7                 | 12.2 | 7.9 | 7.7 | 36.35 | 20.0/4496        |
| SJ200F5   | 130.0 | 55.0   | 48.0         | 23.0   | 10.0                       | 10.0   | 36.0       | 37.0   | 45.0   | 25.0            | 4.0   | 70.0 | 53.0                 | 13.0 | 8.0 | 8.0 | 35.00 | 35.0/7868        |
| SJ300F14  | 180.0 | 55.0   | 55.0         | 23.0   | 10.0                       | 10.0   | 33.0       | 35.0   | 43.0   | 30.0            | 3.0   | 68.0 | 53.0                 | 13.0 | 8.0 | 8.0 | 60.00 | 20.0/4496        |



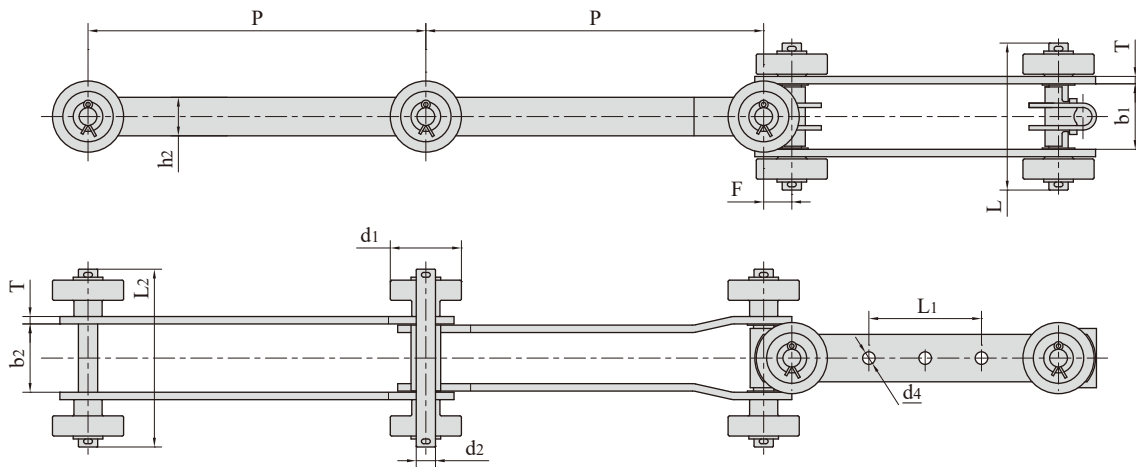
| Chain No. | Pitch | Pin diameter |        | Width between outer plates |        | Pin length |        | plate dimension |       | Attachment dimension |     |      | Tensile strength |
|-----------|-------|--------------|--------|----------------------------|--------|------------|--------|-----------------|-------|----------------------|-----|------|------------------|
|           | P     | d1 max       | b1 min | b2 min                     | d2 max | L2 max     | L3 max | h2 max          | T max | L1                   | d4  | F    | Q min            |
|           | mm    | mm           | mm     | mm                         | mm     | mm         | mm     | mm              | mm    | mm                   | mm  | mm   | kN/lbf           |
| SJ350     | 156.0 | 48.0         | 46.0   | 43.0                       | 12.0   | 91.0       | 112.5  | 30.0            | 4.0   | 76.0                 | 8.5 | 19.0 | 40.0/8992        |



Universal movement conveyor chains



| Chain No. | Pitch          |                | Pin diameter       |                    | Width between outer plates |                    | Pin length         |       |                    | plate dimension    |       | Attachment dimension |                |      | Tensile strength |
|-----------|----------------|----------------|--------------------|--------------------|----------------------------|--------------------|--------------------|-------|--------------------|--------------------|-------|----------------------|----------------|------|------------------|
|           | P <sub>1</sub> | P <sub>2</sub> | d <sub>1</sub> max | d <sub>5</sub> max | b <sub>1</sub> min         | d <sub>2</sub> max | d <sub>3</sub> max | L max | L <sub>3</sub> max | h <sub>2</sub> max | T max | L <sub>1</sub>       | L <sub>2</sub> | F    | Q <sub>min</sub> |
|           | mm             | mm             | mm                 | mm                 | mm                         | mm                 | mm                 | mm    | mm                 | mm                 | mm    | mm                   | mm             | mm   | mm               |
| SJ500F4   | 204.0          | 146.0          | 63.8               | 56.8               | 20.5                       | 16.0               | 12.0               | 34.5  | 50.5               | 30.0               | 4.0   | 90.0                 | 72.0           | 25.0 | 50.0/11240       |
| SJ500F2   | 304.0          | 146.0          | 63.8               | 56.8               | 20.5                       | 16.0               | 12.0               | 34.5  | 50.5               | 30.0               | 4.0   | 210.0                | 72.0           | 25.0 | 50.0/11240       |



| Chain No. | Pitch | Pin diameter       |                    | Width between outer plates |                    | Pin length         |                    | plate dimension    |       | Attachment dimension |                |      | Tensile strength |
|-----------|-------|--------------------|--------------------|----------------------------|--------------------|--------------------|--------------------|--------------------|-------|----------------------|----------------|------|------------------|
|           | P     | d <sub>1</sub> max | b <sub>1</sub> min | b <sub>2</sub> min         | d <sub>2</sub> max | L <sub>2</sub> max | L <sub>3</sub> max | h <sub>2</sub> max | T max | L <sub>1</sub>       | d <sub>4</sub> | F    | Q <sub>min</sub> |
|           | mm    | mm                 | mm                 | mm                         | mm                 | mm                 | mm                 | mm                 | mm    | mm                   | mm             | mm   | kN/lbf           |
| SJ685.8F1 | 228.6 | 48.0               | 43.0               | 46.0                       | 12.7               | 96.0               | 120.0              | 26.0               | 5.0   | 76.0                 | 8.5            | 16.5 | 40.0/8992        |