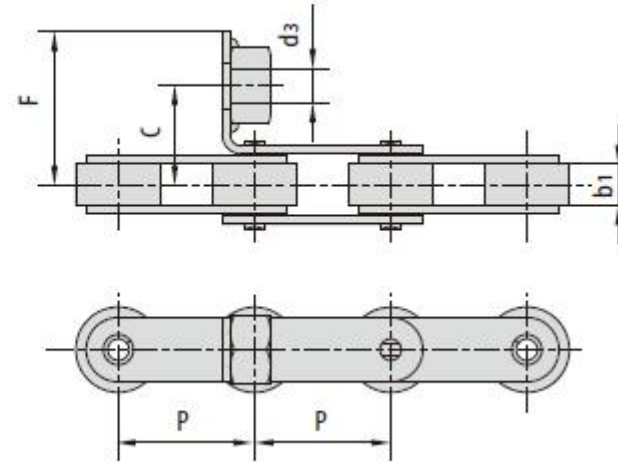


Chain No.	P	b ₁	C	F	d ₃
	mm	mm	mm	mm	mm
C 2042F4	25.40	7.85	18.50	28.50	M 8
C 2062HF86	38.10	12.57	28.60	39.60	10.50
C 2062HF87	38.10	12.57	30.40	41.40	10.50

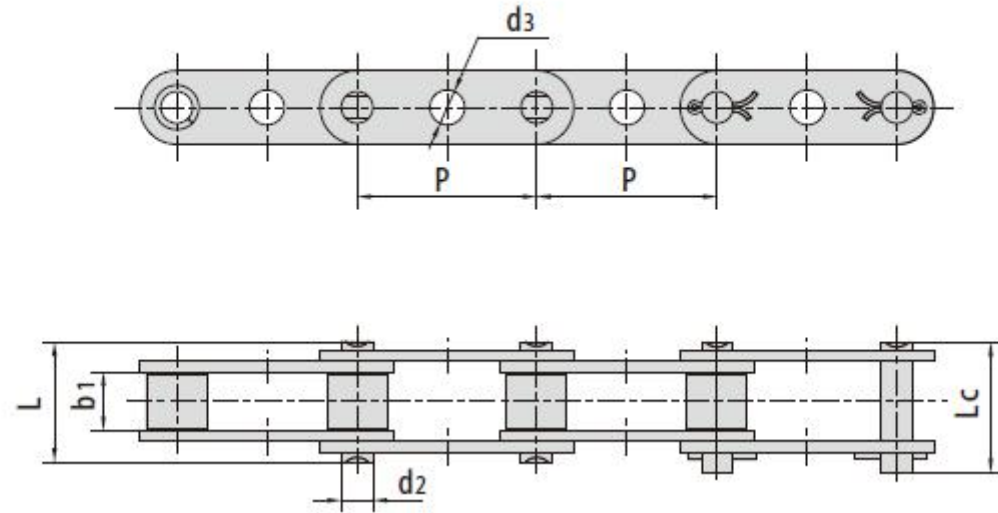




HANGZHOU OCEAN INDUSTRY CO., LTD.

ISO 链号 ISO Chain No.	ANSI 链号 ANSI Chain No.	P	b1	d2	d3	L	Lc
		mm	mm	mm	mm	mm	mm
C 208A	C 2040	25.40	7.85	3.96	4.1	16.6	18.8
C 208AL	C 2042						
C 210A	C 2050	31.75	9.40	5.08	5.1	20.7	23.3
C 210AL	C 2052						
C 212A	C 2060	38.10	12.57	5.94	6.1	25.9	28.3
C 212AL	C 2062						
C 212AH	C 2060H	38.10	12.57	5.94	6.1	29.2	31.6
C 212AHL	C 2062H						
C 216A	C 2080	50.80	15.75	7.92	8.1	32.7	36.5
C 216AL	C 2082						
C 216AH	C 2080H	50.80	15.75	7.92	8.1	36.2	39.4
C 216AHL	C 2082H						
C 220A	C 2100	63.50	18.90	9.53	10.1	40.4	44.7
C 220AL	C 2102						
C 220AH	C 2100H	63.50	18.90	9.53	10.1	43.6	46.9
C 220AHL	C 2102H						

GK1

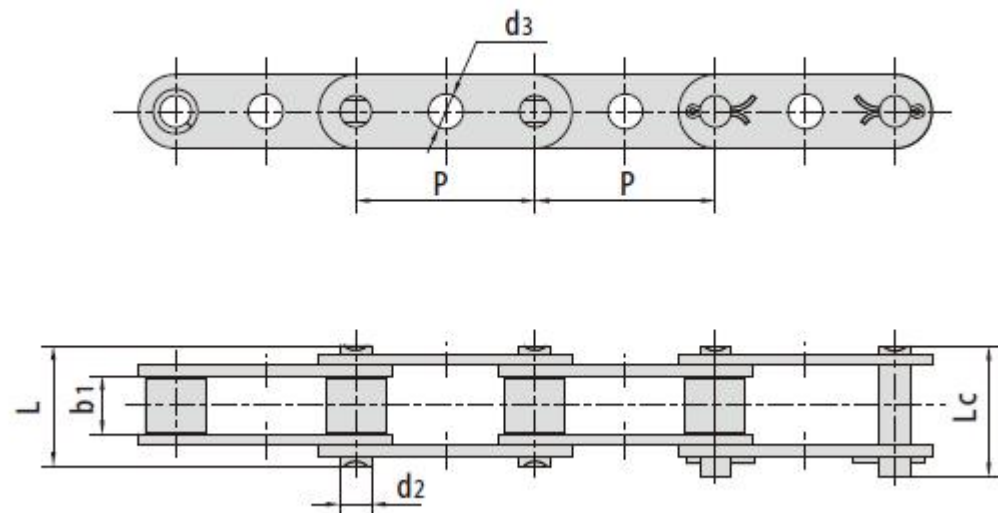




HANGZHOU OCEAN INDUSTRY CO., LTD.

Chain No.	P	b ₁	d ₂	d ₃	L	L _c
	mm	mm	mm	mm	mm	mm
C 2040G KF6	25.40	7.85	3.96	6.10	16.60	18.80
C 2040G KF7	25.40	7.85	3.96	6.35/7.92	17.00	18.80
C 2050F73G K	31.75	9.40	5.08	6.10	21.38	23.98
C 2050G KF10	31.75	9.40	5.08	5.00	20.70	23.30
C 2050G KF13	31.75	9.40	5.08	5.20	20.70	23.30
C 2050G KF14	31.75	9.40	5.08	6.00	20.70	23.30
C 2050G KF15	31.75	9.40	5.08	6.50	20.70	23.30
C 2050G KF2	31.75	9.40	5.08	8.10	20.70	22.20
C 2050G KF3	31.75	9.40	5.08	8.10	20.70	22.20
C 2050G KF4	31.75	9.40	5.08	7.00	20.70	22.20
C 2050G KF5	31.75	9.40	5.08	7.10	20.70	22.20
C 2050G KF6	31.75	9.40	5.08	6.00	20.70	22.20
C 2050G KF7	31.75	9.40	5.08	6.10	20.70	22.20
C 2050G KF8	31.75	9.40	5.08	8.30	20.70	22.20
C 2050HG K	31.75	9.40	5.08	8.20	22.10	23.40
C 2050HG KF1	31.75	9.40	5.08	7.00	22.10	23.40
C 2052HG KF3	31.75	9.40	5.08	6.00	22.10	23.40
C 2050HG KF4	31.75	9.40	5.08	8.10	22.10	23.40
C 2050HG KF5NP	31.75	9.40	5.08	6.50	22.10	24.50
C 2050HG KF17	31.75	9.40	5.08	6.10	22.10	24.50
C 2060G KF1	38.10	12.57	5.94	8.00	25.90	27.70
C 2060G KF2	38.10	12.57	5.94	8.10	25.90	27.70
C 2060G KF3	38.10	12.57	5.94	6.20	25.90	27.70
C 2060G KF8	38.10	12.57	5.94	8.80	25.90	27.70
C 2060G KF18	38.10	12.57	5.94	5.50/10.00	25.90	28.30
C 2060HG KF3	38.10	12.57	5.94	8.20	29.20	31.60

GK1

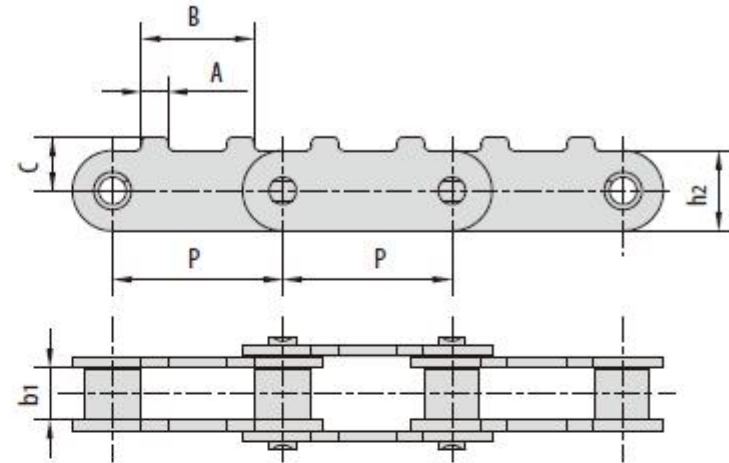




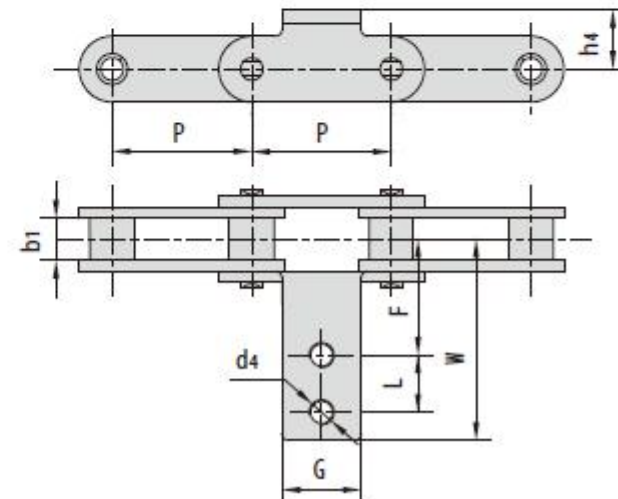
HANGZHOU OCEAN INDUSTRY CO., LTD.

Chain No.	P	b ₁	d ₂	d ₃	L	L _c
	mm	mm	mm	mm	mm	mm
C 2060H G K F4	38.10	12.57	5.94	8.30	29.20	31.60
C 2060H G K F5	38.10	12.57	5.94	6.00	29.20	31.60
C 2060H G K F6	38.10	12.57	5.94	8.33	29.20	31.60
C 2060H G K F7	38.10	12.57	5.94	10.00	29.20	31.60
C 2060H G K F10	38.10	12.57	5.94	8.80	29.20	31.60
C 2060H G K F22	38.10	12.57	5.94	8.20	28.70	29.30
C 2060H G K F24	38.10	12.57	5.94	10.60	29.20	31.60
C 2060H F9	38.10	12.57	5.94	7.95	29.20	31.60
C 2060H F69G K	38.10	12.57	5.94	8.33	28.70	30.80
C 2062G K F25	38.10	12.57	5.94	8.00	25.90	28.30
C 2080H G K F2	50.80	15.75	7.92	7.90	36.20	39.40
C 2080H G K F6	50.80	15.75	7.92	11.00	36.20	39.40
C 2080H G K F12	50.80	15.75	7.92	10.97	36.20	38.90
C 2082G K F14	50.80	15.75	7.92	10.97	36.20	38.90
C 2082G K F15	50.80	15.75	7.92	10.95	36.20	38.90
C 2082G K F16	50.80	15.75	7.92	11.00	32.70	36.50
C 2082G K F17	50.80	15.75	7.92	10.30	32.70	36.50
C 2100F26G K	63.50	10.40	9.53	14.60/17.50	23.90	-
C 2100SLRF26G K	63.50	10.10	9.53	14.58/17.60	23.80	-
C 220AG K	63.50	18.90	9.53	8.00	40.40	44.70
C 208BG K F1	25.40	7.75	4.45	6.00	16.70	18.20
C 208BG K F3	25.40	7.75	4.45	4.50	17.70	20.10
C 208BG K F4	25.40	7.75	4.45	6.10	16.70	18.20
C 208BG K F6	25.40	7.75	4.45	6.00	16.70	19.30
C 208BG K F7SLR	25.40	7.75	4.45	6.00	17.70	20.10
C 210BF2G K	31.75	7.00	5.08	5.97	16.50	-

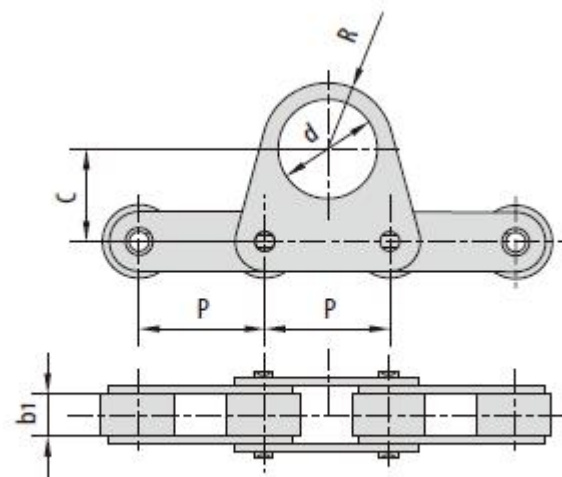
Chain No.	P	b ₁	h ₂	A	B	C
	mm	mm	mm	mm	mm	mm
C 2050F9	31.75	9.4	15.0	5.0	21.0	10.0



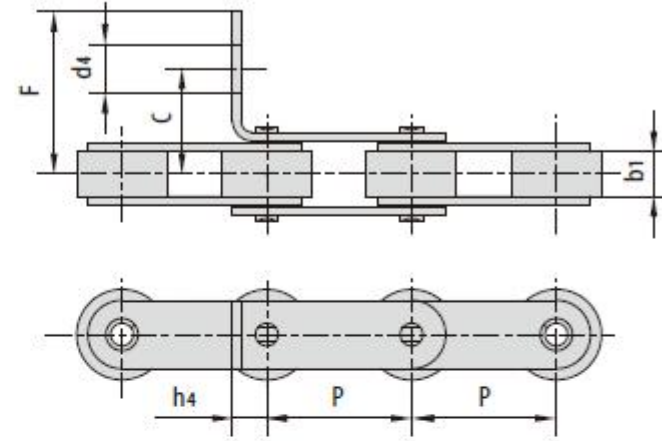
Chain No.	P	b ₁	G	L	F	W	h ₄	d ₄
	mm	mm	mm	mm	mm	mm	mm	mm
C 2050HF2	31.75	9.4	18.0	13.0	36.1	56.5	13.5	M 5



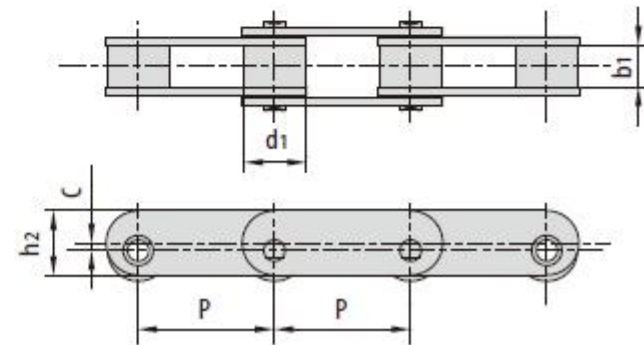
Chain No.	P	b ₁	C	d	R
	mm	mm	mm	mm	mm
C 2062F5	38.1	12.57	28.0	30	20

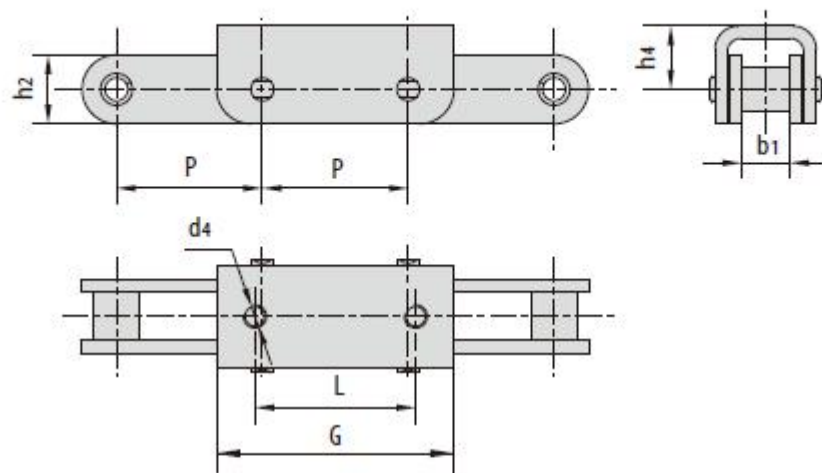


Chain No.	P	b ₁	C	F	d ₄	h ₄
	mm	mm	mm	mm	mm	mm
C 2042F8	25.4	7.85	17.75	28	8.5	10
C 2062HF13	38.1	12.57	31.9	42.9	6	9.8
C 224AF2	76.2	25.22	52.7	77.75	13	26.8

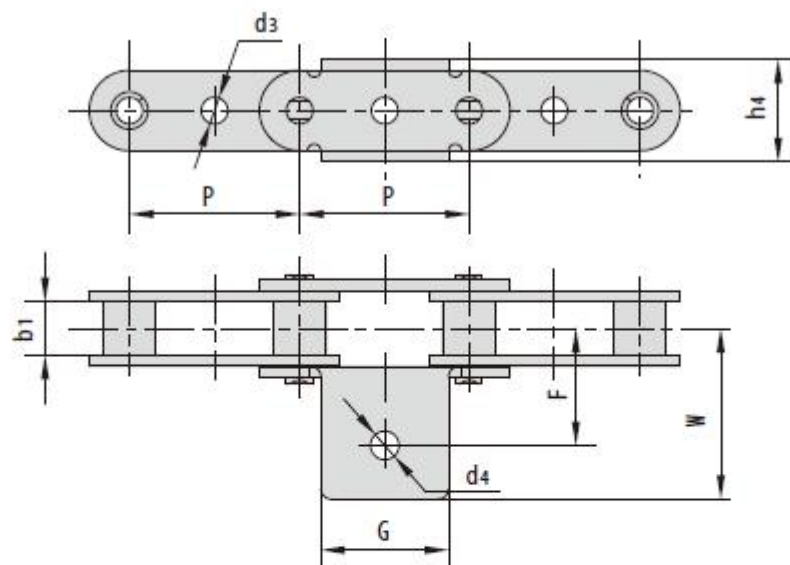


Chain No.	P	b ₁	C	h ₂	d ₁
	mm	mm	mm	mm	mm
C 2062F6	38.1	12.57	3.0	23.0	22.23
C 2082F8	50.8	15.75	3.5	25.0	28.58

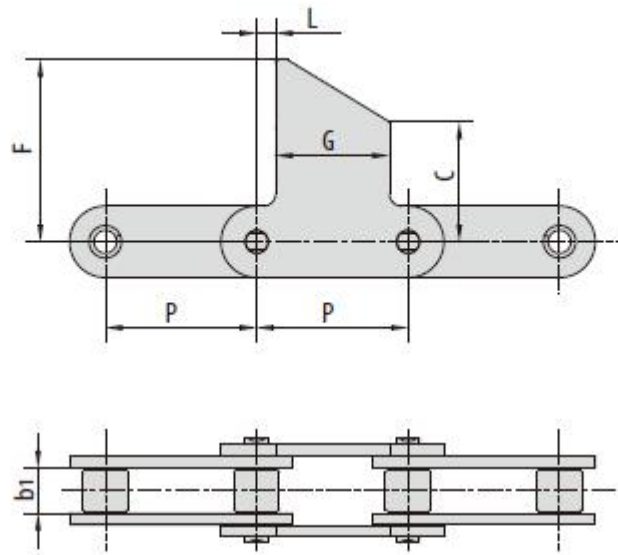




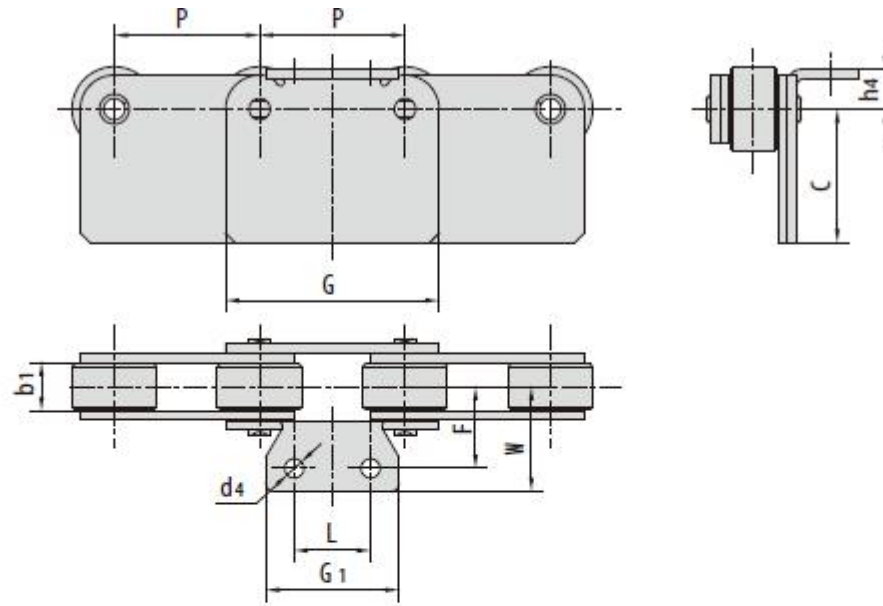
Chain No.	P mm	b ₁ mm	L mm	G mm	d ₄ mm	h ₂ mm	h ₄ mm
C2060H-U1F1	38.1	12.57	42.0	62.0	M 6	18.0	16.5



Chain No.	P	b ₁	G	F	W	h ₄	d ₄	d ₃
	mm	mm	mm	mm	mm	mm	mm	mm
C 2080K 1F4	50.8	15.75	38.1	40.0	56.0	30.5	8.5	-
C 2080HG F1	50.8	15.75	36.0	38.0	46.0	28.4	6.0	8.1

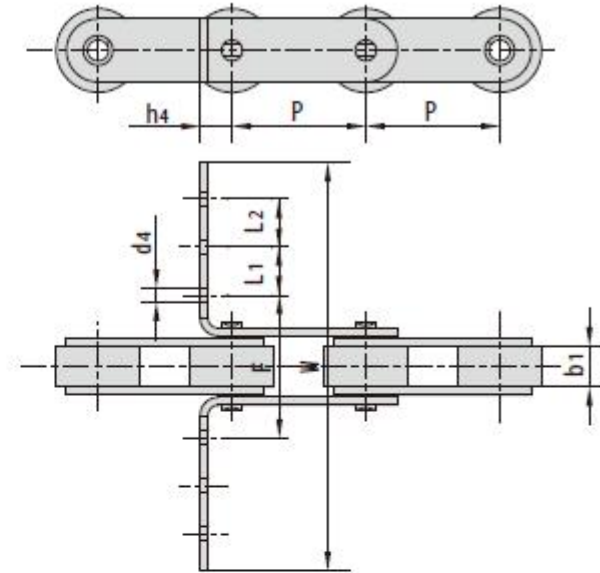


Chain No.	P	b ₁	L	G	C	F
	mm	mm	mm	mm	mm	mm
C 2060F110	38.10	12.57	5.00	30.00	15.00	30.00
C 2100HF4	63.50	18.90	7.90	47.80	50.80	76.20
C 2100HF5	63.50	18.90	7.90	47.80	95.30	133.40

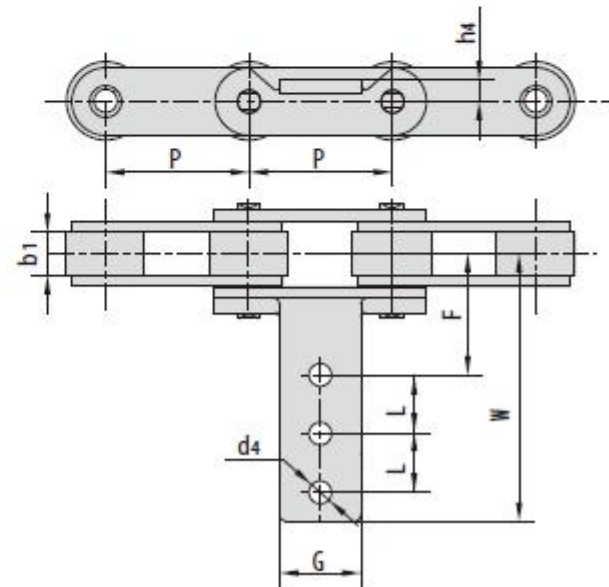


Chain No.	P	b ₁	L	G ₁	G	h ₄	d ₄	C	F	W
	mm	mm	mm	mm	mm	mm	mm	mm	mm	mm
C 2082HW SA0F1	50.80	15.75	-	38.10	74.80	19.10	8.50	64.90	27.80	40.50
C 2082HF93	50.80	15.75	-	38.10	74.80	19.10	-	64.90	-	40.50
C 224ALK 2F2	76.20	25.22	40.00	70.00	111.90	20.80	10.00	70.00	43.00	55.00

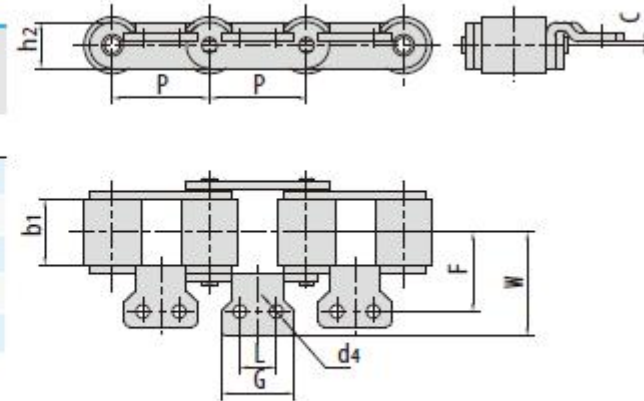
Chain No.	P	b ₁	L ₁	L ₂	F	W	h ₄	d ₄
	mm	mm	mm	mm	mm	mm	mm	mm
C 2080HF6	50.8	15.75	43.0	-	60.0	160.0	20.45	5.5
C 2080HF11	50.8	15.75	30.0	-	110.0	210.0	19.00	8.2
C 2080HF78	50.8	15.75	42.5	-	63.5	163.5	21.20	5.0
C 2100HF2	63.5	18.90	52.5	52.5	70.0	300.0	30.00	5.5
C 224AHF8A2	76.2	25.22	40.0	-	118.0	238.0	28.50	12.0



Chain No.	P	b ₁	G	L	F	W	h ₄	d ₄
	mm	mm	mm	mm	mm	mm	mm	mm
C 2082HF4	50.8	15.75	28.6	50.8	57.4	181.4	8.7	11.1



Chain No.	P	b ₁	h ₂	G	L	F	W	d ₄	C
	mm	mm	mm	mm	mm	mm	mm	mm	mm
C 2050A6	31.75	9.4	15.0	16.0	-	23.4	32.8	5.5	0.50
C 2052F11	31.75	9.4	15.0	16.0	-	26.6	34.6	6.2	0.50
C 2062HF63A2F1	38.10	25.4	18.0	28.6	14.4	34.5	40.0	5.2	1.43
C 2062HF63A2F4	38.10	25.4	18.0	28.6	14.4	69.0	87.0	5.2	1.45
C 2062HF77A2	38.10	25.4	18.0	33.0	16.3	39.0	47.0	8.5	5.30



GK1

