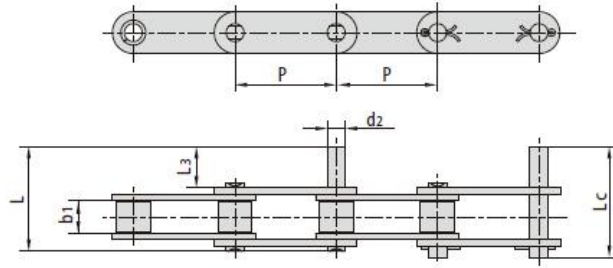
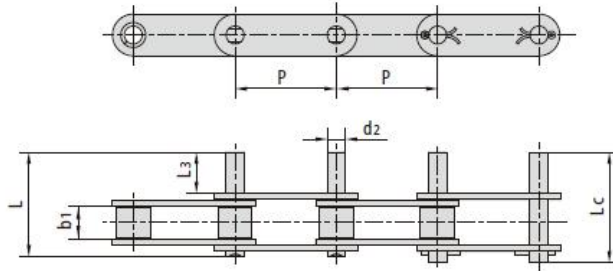


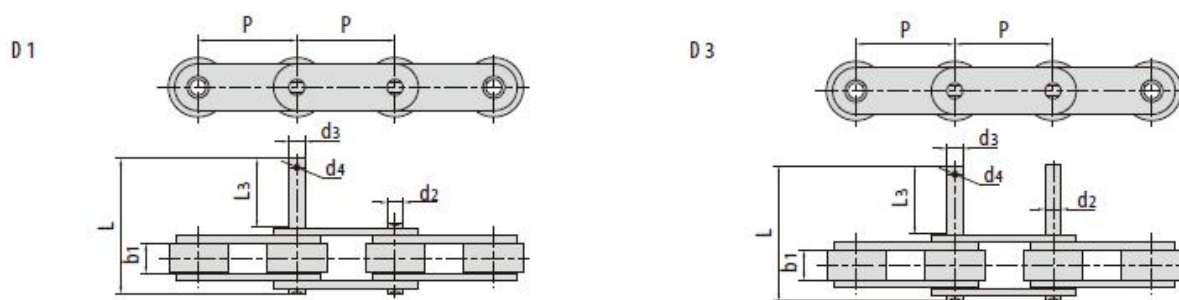
D1



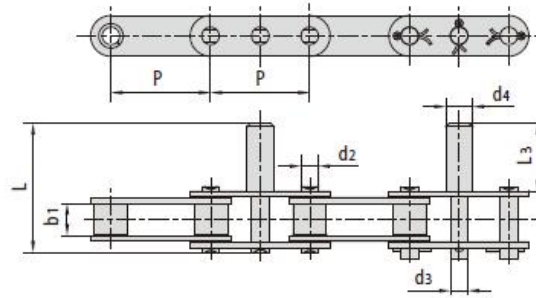
D3



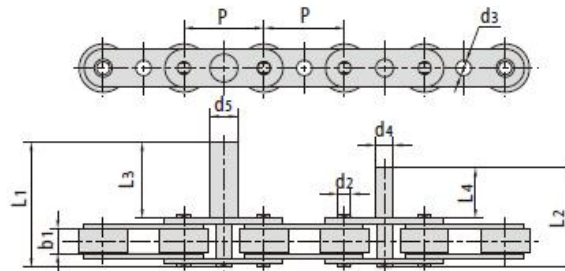
ISO 链号 ISO Chain No.	ANSI 链号 ANSI Chain No.	P	b <sub>1</sub>	d <sub>2</sub>	L <sub>3</sub>	L	L <sub>c</sub>
		mm	mm	mm	mm	mm	mm
C 208A	C 2040	25.40	7.85	3.96	9.5	25.1	26.2
C 208AL	C 2042						
C 210A	C 2050	31.75	9.40	5.08	11.9	31.3	33.1
C 210AL	C 2052						
C 212A	C 2060	38.10	12.57	5.94	14.3	38.6	40.6
C 212AL	C 2062						
C 212AH	C 2060H	38.10	12.57	5.94	14.3	42.0	43.8
C 212AHL	C 2062H						
C 216A	C 2080	50.80	15.75	7.92	19.1	50.3	53.3
C 216AL	C 2082						
C 216AH	C 2080H	50.80	15.75	7.92	19.1	53.5	55.0
C 216AHL	C 2082H						
C 220A	C 2100	63.50	18.90	9.53	23.8	61.8	66.1
C 220AL	C 2102						
C 220AH	C 2100H	63.50	18.90	9.53	23.8	65.0	68.3
C 220AHL	C 2102H						
C 224AH	C 2120H	76.20	25.22	11.10	28.6	79.6	83.6
C 224AHL	C 2122H						
C 232AH	C 2160H	101.60	31.75	14.27	38.1	103.0	107.8
C 232AHL	C 2162H						



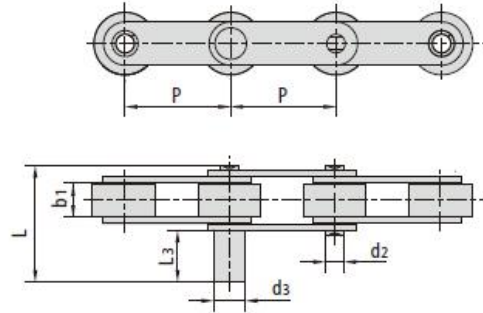
Chain No.	P	b <sub>1</sub>	L <sub>3</sub>	L	d <sub>2</sub>	d <sub>3</sub>	d <sub>4</sub>
	mm	mm	mm	mm	mm	mm	mm
2040-D 3F 12	25.400	7.85	8.00	23.70	3.96	6.00	-
208B-D 3F 17	25.400	7.75	19.40	35.10	4.45	4.65	1.60
C 2040-D 1F 23	25.400	7.85	37.00	52.60	3.96	5.50	-
C 2040-D 3F 13	25.400	7.85	31.75	47.35	3.96	7.94	-
C 2040-D 3F 15	25.400	7.85	20.40	36.00	3.96	4.45	1.50
C 2042-D 1F 20	25.400	7.85	35.00	51.00	3.96	6.00	-
C 208B-D 3F 19	25.400	7.75	15.20	31.00	4.48	8.30	-
210B-D 1F 3	31.750	9.65	33.00	51.40	5.08	8.00	-
C 2052-D 13F 2	31.750	9.40	23.40	43.00	5.08	6.00	-
C 2052-D 1F 23	31.750	9.40	40.00	59.70	5.08	6.35	-
C 2052-D 1F 27	31.750	9.40	20.00	41.10	5.08	9.00	-
C 2052-D 1F 28	31.750	9.40	21.00	42.10	5.08	9.30	-
C 2052-D 1F 52	31.750	9.40	30.00	49.50	5.08	9.00	-
C 2052-D 1F 54	31.750	9.40	22.00	41.60	5.08	5.08	1.80
C 2052-D 1F 71	31.750	9.40	20.00	41.10	5.08	7.00	-
C 2052-D 1F 72	31.750	9.40	50.00	71.20	5.08	8.00	-
C 2052-D 3F 20	31.750	9.40	22.00	41.60	5.08	5.70	-
C 2052F 56-D 1S 5	31.750	9.00	25.70	49.90	5.08	5.55	-
C 2060H-D 1F 57	38.100	12.57	35.00	52.80	5.94	10.00	-
C 2060H-D 3F 44	38.100	12.57	25.00	55.50	5.94	M 8	-
C 2060SLR-D 3F 55	38.100	12.57	14.30	40.50	5.94	5.94	2.00
C 2062-D 1F 32	38.100	12.57	18.50	43.00	5.94	9.00	-
C 2062-D 1F 40	38.100	12.57	30.00	54.60	5.94	8.00	-
C 2062-D 1F 54	38.100	12.57	25.00	49.40	5.94	7.95	2.50
C 2062-D 3F 31	38.100	12.57	35.00	59.50	5.94	10.00	-
C 2062H-D 1F 47	38.100	12.57	30.00	57.80	5.94	7.95	2.50
C 2062H-D 1F 58	38.100	12.57	29.20	57.00	5.94	9.80	-
C 2062H-D 1F 68	38.100	12.57	26.00	53.80	5.94	5.94	2.00
C 2062HF 99	38.100	12.57	50.00	80.80	5.94	10.00	-
C 2062HNP-D 1F 59	38.100	12.57	22.20	50.20	5.94	12.70	-
216B-D 1F 4	50.800	17.02	20.00	54.10	8.28	12.00	-
C 2082-D 1F 21	50.800	15.75	24.50	55.60	7.92	12.00	-
C 2082-D 1F 8	50.800	15.75	30.00	61.20	7.92	8.50	-
C 2082H-D 1F 10	50.800	15.75	30.00	64.40	7.92	8.50	-
C 2082H-D 1F 12	50.800	15.75	20.00	54.20	7.92	9.00	3.20
C 2082H-D 1F 22	50.800	15.75	25.40	60.00	7.92	15.88	-
C 2102H-D 3F 5	63.500	18.90	37.00	78.50	9.53	9.53	2.50



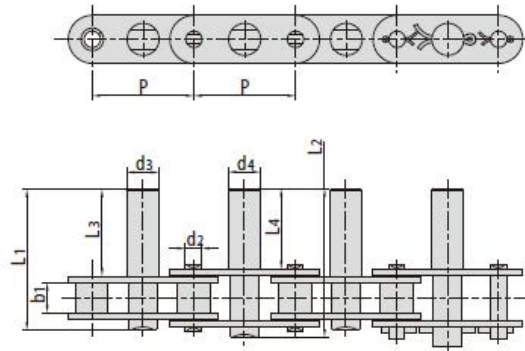
Chain No.	P	b <sub>1</sub>	d <sub>2</sub>	d <sub>3</sub>	d <sub>4</sub>	L <sub>3</sub>	L
	mm	mm	mm	mm	mm	mm	mm
C 2052F2	31.75	9.40	5.08	6.00	7.00	20.00	39.80
C 2052F14	31.75	9.40	5.08	6.00	7.00	21.00	40.40
C 2050G KF12	31.75	9.40	5.08	5.08	5.08	11.90	34.00
C 2050G KF13	31.75	9.40	5.08	5.20	10.00	35.00	54.60
C 2052-D 5F26	31.75	9.40	5.08	6.35	8.76	19.90	39.50
C 2052-D 5F27	31.75	9.40	5.08	6.35	7.11	19.70	39.00
C 2060H-D 23	38.10	12.57	5.94	8.80	12.70	41.30	69.30
C 2060H-D 24	38.10	12.57	5.94	7.95	12.70	44.80	65.60
C 2060H-D 31	38.10	12.57	5.94	7.95	16.00	45.00	73.00
C 2060H-D 5F4	38.10	12.57	5.94	7.95	12.70	50.00	77.80
C 2060HF9	38.10	12.57	5.94	7.95	12.70	41.30	69.30
C 2060HF10	38.10	12.57	5.94	7.70	14.30	41.30	69.30
C 2060HF75	38.10	12.57	5.94	6.00	8.00	27.50	55.50
C 2062-D 38	38.10	12.57	5.94	5.94	11.10	24.20	48.60
C 2062-D 39	38.10	12.57	5.94	5.94	13.30	32.20	56.60
C 2062H-D 41	38.10	12.57	5.94	9.53	9.50	22.20	50.00
C 2062HG KF17-D 5F1	38.10	12.57	5.94	7.95	13.30	32.20	60.20
C 212AHF3	38.10	12.57	5.94	8.08	10.00	35.00	63.00
C 212AHF7	38.10	12.57	5.94	5.94	12.70	41.20	69.20
C 212AHF8	38.10	12.57	5.94	8.00	10.00	35.00	63.00
C 212AHL-D4	38.10	12.57	5.94	5.94	8.00	25.00	53.00



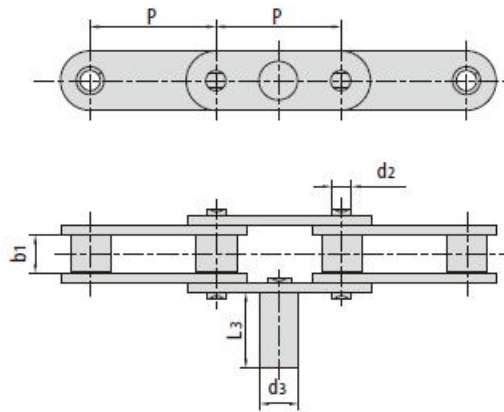
Chain No.	P	b <sub>1</sub>	d <sub>2</sub>	d <sub>4</sub>	d <sub>5</sub>	L <sub>3</sub>	L <sub>1</sub>	L <sub>4</sub>	L <sub>2</sub>
	mm	mm	mm	mm	mm	mm	mm	mm	mm
C 2052F1	31.75	9.4	5.08	7.0	11.0	30.0	49.8	20.0	39.8



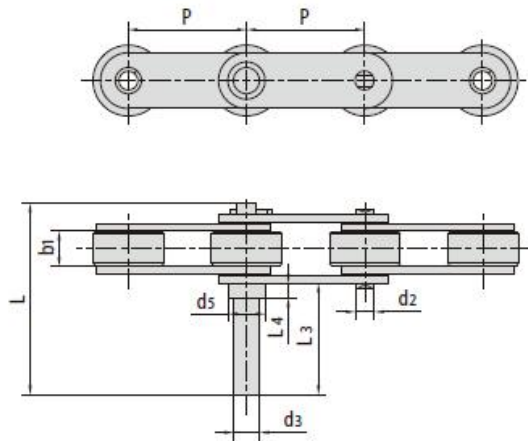
Chain No.	P mm	b <sub>1</sub> mm	d <sub>2</sub> mm	d <sub>3</sub> mm	L <sub>3</sub> mm	L mm
C 2052DF1	31.75	9.40	5.08	7.50	14.15	33.6
C 210AF4	31.75	9.40	5.08	11.00	34.00	53.7
C 2052-D4	31.75	9.40	5.08	6.00	32.40	52.0
C 2050-D5	31.75	9.40	5.08	8.00	40.00	59.7
C 212AHL-D4	38.10	12.57	5.94	8.00	25.00	53.0
C 2062-D6	38.10	12.57	5.94	12.00	25.00	49.7



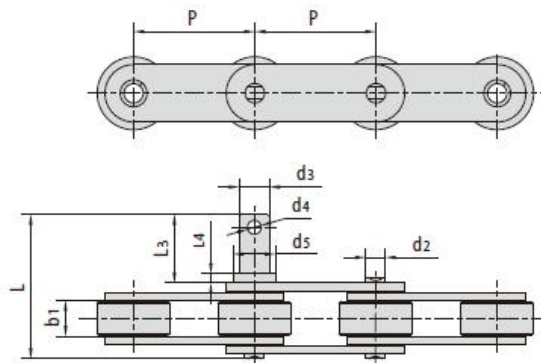
Chain No.	P mm	b <sub>1</sub> mm	d <sub>2</sub> mm	d <sub>3</sub> mm	d <sub>4</sub> mm	L <sub>3</sub> mm	L <sub>1</sub> mm	L <sub>4</sub> mm	L <sub>2</sub> mm
C 2050-DF1	31.75	9.40	5.08	10.00	10.00	43.20	60.30	41.00	62.40



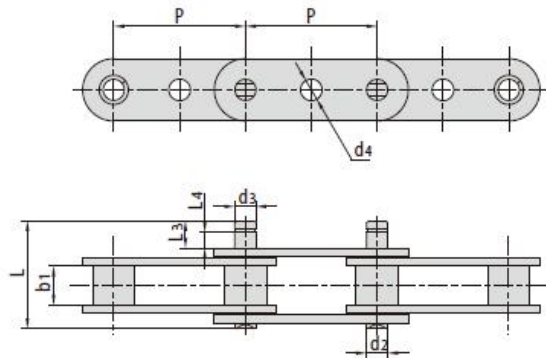
Chain No.	P mm	b1 mm	L3 mm	d2 mm	d3 mm
C2050-D5F25	31.75	9.40	19.00	5.08	10.00
C2050F44	31.75	9.40	19.00	5.08	9.75



Chain No.	P mm	b1 mm	L3 mm	L4 mm	L mm	d2 mm	d3 mm	d5 mm
C2052-D1F29	31.75	9.40	33.00	3.00	55.00	5.08	9.00	13.00
C2052-D3F24	31.75	9.40	33.00	3.00	55.00	5.08	9.00	13.00
C2052-D3F55	31.75	9.40	34.00	4.00	56.00	5.08	7.00	10.00



Chain No.	P	$b_1$	$L_3$	$L_4$	L	$d_2$	$d_3$	$d_4$	$d_5$
	mm	mm	mm	mm	mm	mm	mm	mm	mm
C 2052-D 1F15	31.75	9.40	16.20	2.20	35.90	5.08	7.00	-	10.00
C 2052-PF1-D 3F30	31.75	9.40	14.20	2.00	33.90	5.08	5.08	-	8.00
C 2062-D 1F43	38.10	12.57	40.60	29.10	65.00	5.94	M 5	-	5.94
C 2062-D 8	38.10	12.57	29.00	7.00	53.40	5.94	7.00	-	14.00
C 2062H-D 1F45	38.10	12.57	27.70	6.00	55.60	5.94	7.90	2.00	12.00
C 2062H-D 1F50	38.10	12.57	29.00	7.00	56.80	5.94	7.00	-	14.00
C 2062H-D 1F58	38.10	12.57	29.20	12.20	57.00	5.94	9.00	-	12.00
C 2082HAA 1F2-D 3F2	50.80	15.75	61.50	6.00	96.50	7.92	12.00	-	15.00
C 2082H-D 3F19	50.80	15.75	31.00	11.00	65.50	7.92	11.90	-	15.88
C 220AHS LR-D 1F3	63.50	18.90	28.00	3.50	69.50	9.53	11.00	-	15.00



Chain No.	P	$b_1$	$L_3$	$L_4$	L	$d_2$	$d_3$	$d_4$
	mm	mm	mm	mm	mm	mm	mm	mm
C 2050-D 1F62	31.75	9.40	8.00	5.00	27.40	5.08	5.08	5.20
C 2050-D 1F63	31.75	9.40	5.00	2.00	24.40	5.08	5.08	5.20
C 2050-D 1F64	31.75	9.40	7.00	7.00	24.40	5.08	8.00	-
C 2060SLR-D 3F56	38.10	12.57	18.20	15.00	44.50	5.94	5.94	-