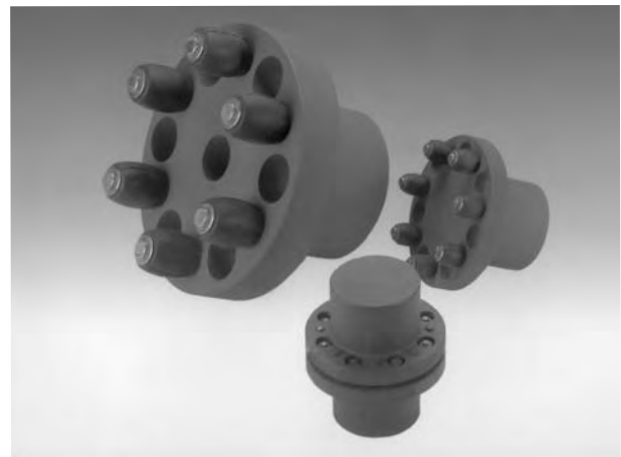
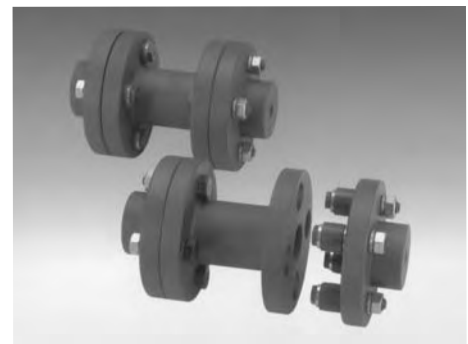


Couplings

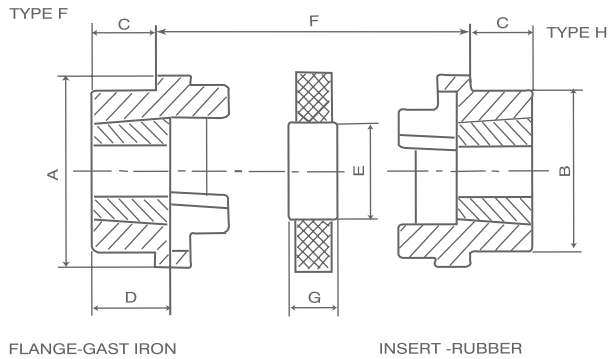
***Powerful transmission
Reliable connection***



Many series of COUPLINGS available for all kinds of power transmission installation, economical and practical, transmission simple assembling, durable in use.

Tel: 0086-571-88842852 Fax: 0086-571-88844378 E-mail: oceanindustry@vip.163.com

T_B^{aper} HRC flexible couplings



HRC - Taper bore universal series

BTL

Size	Bush	A	B	E	F	G	C	D	J	Max bore		L	Maximum misalignment		Max Revolution n(rpm)	Moment of inertia (kg.cm ²)	G (Kg)
										mm	inch		Parallel	Axial			
70	1008	69	60	31	25	18	20	23.5	29	25	1	65	0.3	+0.2	9100	8.5	1.00
90	1108	85	70	32	30.5	22.5	19.5	23.5	29	28	1 1/8	69.5	0.3	+0.5	7400	11.5	1.17
110	1610	112	100	45	45	29	18.5	26.5	38	42	1 5/8	82	0.3	+0.6	5630	40	5.00
130	1610	130	105	50	53	36	18	26.5	38	42	1 5/8	89	0.4	+0.8	4850	78	5.46
150	2012	150	115	60	60	40	23.5	33.5	42	50	2	107	0.4	+0.9	4200	181	7.11
180	2517	180	125	77	73	49	34.5	46.5	48	60	2 1/2	142	0.4	+1.1	3500	434	16.60
230	3020	225	155	99	85.5	59.5	39.5	52.5	55	75	3	165	0.5	+1.3	2800	1207	26.00
280	3525	275	206	119	106	74.5	51	66.5	67	100	4	208	0.5	+1.7	2300	4465	50.00

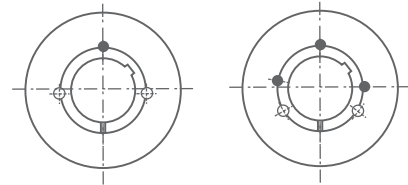
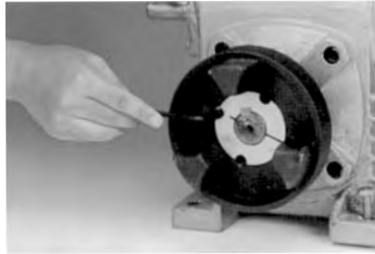
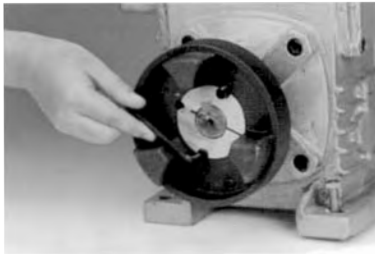
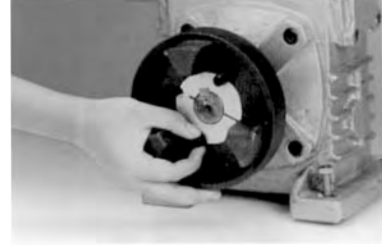
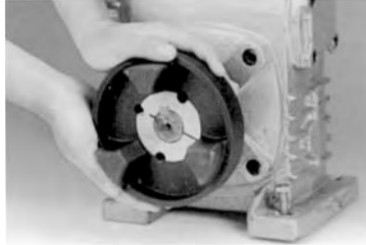
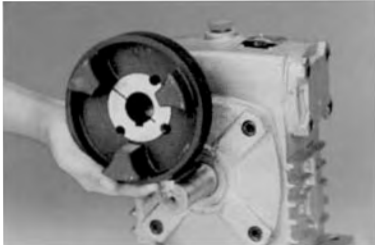
J-the wrench clearance required for tightening and loosening the bush on the shaft.

$L=2C+f$

POWER RATINGS(KW)

SPEED rev/min	Coupling Size							
	70	90	110	130	150	180	230	280
100	0.33	0.84	1.68	3.30	6.28	9.95	20.9	33.0
200	0.66	1.68	3.35	6.60	12.6	19.9	41.9	65.0
400	1.32	3.35	6.70	13.2	25.1	39.8	83.8	132
600	1.98	5.03	10.1	19.8	37.7	59.7	126	198
720	2.37	6.03	12.1	23.8	45.2	71.6	151	238
800	2.64	6.70	13.4	26.4	50.3	79.6	168	264
960	3.17	8.04	16.1	31.7	60.3	95.5	201	317
1200	3.96	10.1	20.1	39.6	75.4	119	251	396
1440	4.75	12.1	24.1	47.5	90.5	143	302	475
1600	5.28	13.4	26.8	52.8	101	159	335	528
1800	5.94	15.1	30.2	59.4	113	179	377	594
2000	6.60	16.8	33.5	66.0	126	199	419	660
2200	7.26	18.4	36.9	72.6	138	219	461	726
2400	7.92	20.1	40.2	79.2	151	239	503	
2600	8.58	21.8	43.6	85.8	163	259	545	
2880	9.50	24.1	48.3	95	181	286		
3000	9.90	25.1	50.3	99	188	298		
3600	11.9	30.1	60.3	118	226			
Nominal Torque(Nm)	31.5	80	160	315	600	950	2000	3150
Max Torque(Nm)	72	180	360	720	1500	2350	5000	7200

T_{aper} B_{ore} HRC Flexible Couplings



◎ INSERT SCREWS BORE

● REMOVING SCREWS BORE

1. Clean and degrease the bore and taper surfaces of the bush and the tapered bore of the pulley. Insert the bush into the pulley hub and line up the holes (half threaded holes must line up with the half unloading holes).
2. Lightly oil the grub screws (bush size 1008-3030) or the cap screws (bush size 3535-5050) and screw them in. **DO NOT TIGHTEN YET.**
3. Clean and degrease the shaft. Fit pulley with taper bush on shaft and place in desired
4. When using a key, it should first be fitted in the shaft keyway. There should be a top clearance between the key and the keyway in the bore.
5. With a hexagon socket wrench (DIN911), gradually tighten the grub screws according to the torques listed in the table.
6. When the drive has been operating under-load for a short period of time (roughly half an hour), check and ensure that the screws remained and the appropriate tightening torque.
7. In order to eliminate the ingress of dirt, fill all empty holes with V

aseline.

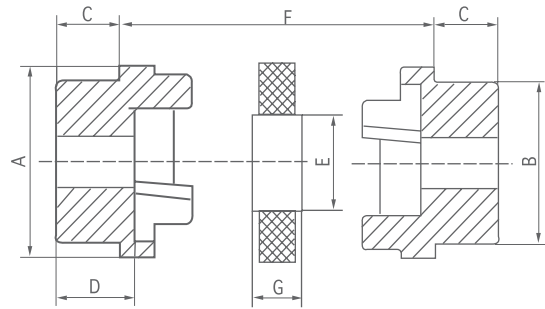
TO DISASSEMBLE:

1. Loosen and remove all the screws and place them in the holes of the bushing.
2. Tighten the screws alternatively till the hub's grip on the bushing is lessened. The inner bore of the bushing can now be slid off the shaft.
3. Remove the bushing from the shaft.

SCREW TIGHTENING TORQUES

BUSH NO	SCREW TIGHTENING TORQUES(Nm)	SCREW	
		QUANTITY	SIZE
1008 1108	5.6	2	1/4" BSW
1210 1215	20	2	3/8" BSW
1310 1315	20	2	3/8" BSW
1610 1615	20	2	3/8" BSW
2012 2017	31	2	7/16" BSW
2517 2525	48	2	1/2" BSW
3020 3030	90	2	5/8" BSW
3525 3535	112	3	1/2" BSW
4030 4040	170	3	5/8" BSW
4535 4545	192	3	3/4" BSW
5050 5050	271	3	7/8" BSW

HRC Flexible Couplings



FLANGE-CAST IRON

INSERT-RUBBER

HRC - Standard straight bore series (lengthen type)

SIZE	MAX BORE		DIMENSIONS								MASS KG
	MM	INS	A	B	E	F	G	C	D	L	
70	32	1 1/4	69	60	31	25	18	20.0	23.5	65	1.20
90	42	1 5/8	85	70	32	30.5	22.5	26.0	30.0	82.5	1.68
110	55	2 1/8	112	100	45	45	29	37.0	45.0	119.0	7.20
130	60	2 3/8	130	105	50	53	36	47.0	55.5	147.0	7.86
150	70	2 3/4	150	115	62	60	40	50.0	60.0	160.0	10.25
180	80	3 1/8	180	125	77	73	49	58.0	70.0	189.0	23.90
230	100	4"	225	155	99	85.5	59.5	77.0	90.0	239.5	37.44
280	130	5"	275	206	119	105.5	74.5	90.0	105.5	285.5	72.00

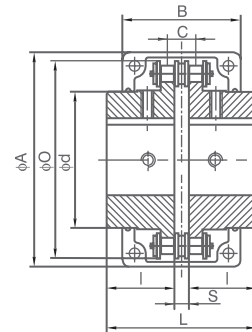
HRC - Straight bore or taper bore (universal series)

SIZE	MAX BORE		DIMENSIONS								MASS KG
	MM	INS	A	B	E	F	G	C	D	L	
70	32	1 1/4	69	60	31	25	18	20.0	23.5	65	1.20
90	42	1 5/8	85	70	32	30.5	22.5	19.5	23.5	69.5	1.40
110	55	2 1/8	112	100	45	45	29	18.5	26.5	82	6.00
130	60	2 3/8	130	105	50	53	36	18.0	26.5	89	6.55
150	70	2 3/4	150	115	62	60	40	23.5	33.5	107	8.53
180	80	3 1/8	180	125	77	73	49	34.5	46.5	142	19.92
230	100	4"	225	155	99	85.5	59.5	39.5	52.5	164.5	31.20
280	130	5"	275	206	119	105.5	74.5	51.0	66.5	207.5	60.00

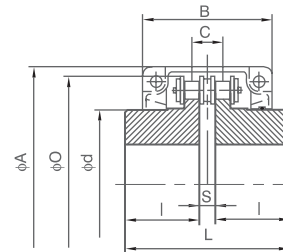
KC-Coupling

Chain coupling is composed of a duplex roller chain and two sprockets. The function of connection and detachment is done by the joint of chain. It has the characteristic of simplicity, high efficiency, easy-on and easy-off and nice out-look.

It also has a aluminium cover to prevent dust and protect the lubricant and make the life of chain coupling a long -lasting one.



Catalog 3012-12022



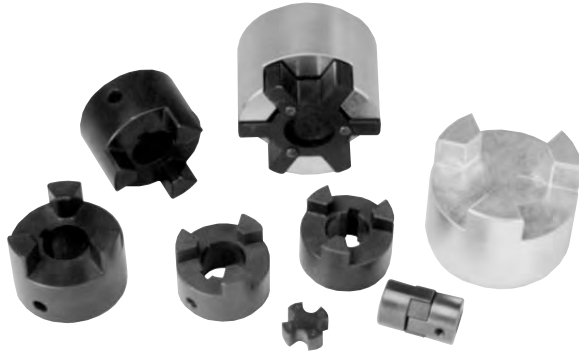
Catalog 16018-24026

KC-COUPLING

Catalog	Applicable Range of Shaft	Pilot	A	d	O	L	I	S	B	C	Max Angular (Degree)	Bolt	Max Torque (Nm)	Max Revolution (rpm)	Moment Of Inertia (kg.cm ²)	Required Amount of Grease(kg)	G (kg)
KC-3012	12-16	12	69	25	45	64.8	29.8	5.2	63	10.2	1°	M6	190	5000	3.7	0.10	0.4
KC-4012	12-22	12	77	33	62	79.4	36.0	7.4	72	14.4		M6	249	4800	5.5	0.10	0.8
KC-4014	12-28	12	84	43	69	79.4	36.0	7.4	75	14.4		M6	329	4800	9.7	0.13	1.1
KC-4016	14-32	14	92	48	77	87.4	40.0	7.4	75	14.4		M6	419	4800	14.4	0.17	1.4
KC-5014	15-35	14	101	53	86	99.7	45.0	9.7	85	18.1		M8	620	3600	28.0	0.22	2.2
KC-5016	16-40	16	111	60	93	99.7	45.0	9.7	85	18.1		M8	791	3600	37.0	0.26	2.7
KC-5018	16-45	16	122	70	106	99.7	45.0	9.7	85	18.1		M8	979	3000	56.3	0.36	3.8
KC-6018	20-56	20	142	85	127	123.5	56.0	11.5	105	22.8		M10	1810	2500	137.3	0.50	6.2
KC-6020	20-60	20	158	98	139	123.5	56.0	11.5	105	22.8		M10	2210	2500	210.2	0.60	7.8
KC-6022	20-71	20	168	110	151	123.5	56.0	11.5	117	22.8		M10	2610	2500	295.0	0.70	10.4
KC-8018	20-80	20	190	110	169	141.2	63.0	15.2	129	29.3		M12	3920	2000	520.0	0.90	12.7
KC-8020	20-90	20	210	121	185	145.2	65.0	15.2	137	29.3		M12	4800	2000	812.4	1.10	16.0
KC-8022	20-100	20	226	140	202	157.2	71.0	15.2	137	29.3		M12	5640	1800	1110.0	1.20	20.2
KC-10020	25-110	25	281	160	233	178.8	80.0	18.8	153	35.8		M12	8400	1800	2440.0	1.80	33.0
KC-12018	35-125	35	307	170	256	202.7	90.0	22.7	181	45.4		M12	12700	1500	3940.0	3.20	47.0
KC-12022	35-140	35	357	210	304	222.7	100.0	22.7	181	45.4		M12	18300	1250	7810.0	4.40	72.0
KC-16018	63-160	53	375	228	340	254.1	112.0	30.1	240	58.5		M16	26400	1100	14530.0	7.20	108.0
KC-16022	80-200	70	440	279	405	310.1	140.0	30.1	245	58.5		M16	38100	1000	32220.0	9.90	187.0
KC-20018	82-205	75	465	289	425	437.5	200.0	37.5	285	71.6		M20	54100	800	50980.0	11.80	286.0
KC-20022	100-255	90	545	363	506	477.5	220.0	37.5	300	71.6		M20	77800	600	111100.0	15.80	440.0
KC-24022	120-310	110	650	448	607	650.0	302.5	45	340	87.8	M20	137000	600	310000.0	21.90	869.0	
KC-24026	150-360	140	745	526	704	700.0	327.5	45	350	87.8	M20	186000	500	598500.0	28.10	1260.0	

Keyway dimensions conform to DIN 6885, JIS B 1310-1976, UNI 6604-1969, GB 1095-1979 standards.

L-Coupling

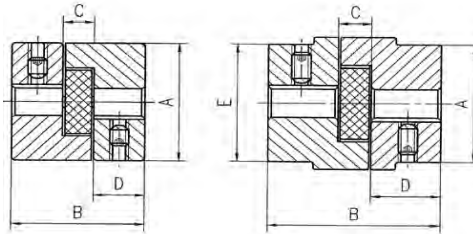


- good temperature and oil resistance
- free of maintenance
- simple structure and easy to install
- The rubbers can be individually replaced when they are worn
- Standard products are finished bore

CL035-CL150

CL190-CL276

The couplings are made of sintered alloy, with smooth surfaces and precise dimensions.



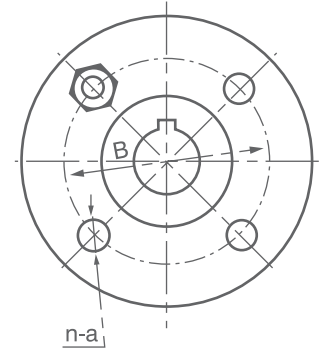
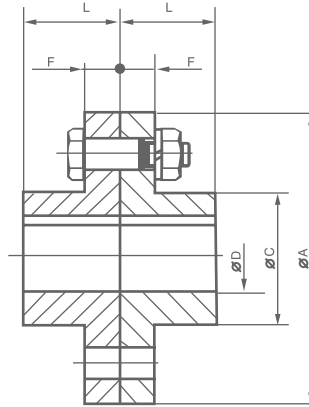
The couplings are made of GG25 material. The surface is machined and zinc plating treated. The quality is high.

Catalog	fundamental dimensions					torgue needed Nm	rotational speed rpm	Bore max mm	stock bore sizes of the couplings	Mass kg
	A	B	C	D	E					
CL035	16	20.2	7.8	6.5	-	0.5	30.000	9	8.9	0.03
CL050	28	43	12	15.5	-	3	17.000	16	10.12.14.16	0.13
CL070	35	50.7	12.7	19	-	5	13.000	19	10.12.14.16.18.19	0.24
CL075	45	55	12.7	20.5	-	10	10.000	24	12.14.16.18.19.20.22.24	0.40
CL090	54	55	12.7	21	-	16	9.000	25	14.16.18.19.20.22.24.25	0.68
CL095	54	64	12.7	25.5	-	22	9.000	29	14.16.18.19.20.22.24.25.28	0.71
CL099	65	73	19	27	-	45	7.000	35	20.22.24.25.28.30.32.35	1.22
CL100	65	89	19	35	-	50	7.000	35	20.22.24.25.28.30.32.35	1.40
CL110	84	108	22	43	-	90	5.000	42	25.28.30.32.35.38.40.42	3.0
CL150	96	115.4	25.4	45	80	150	5.000	48	30.32.35.38.40.42.45.48	5.0
CL190	115	133.4	25.4	54	102	200	5.000	54	35.38.40.42.45.48.50	7.6
CL225	127	153.4	25.4	64	108	300	4.200	67	38.40.42.45.48.50.55.60.65	9.0
CL276	157	200	41	79	127	542	4.200	73	45.48.50.55.60.65.70	21.0

Keyway dimensions conform to DIN 6885, JIS B 1310-1976, UNI 6604-1969, GB 1095-1979 standards.

FL-Coupling

FL



Special notice

Special Notice: FL-coupling or FLS-coupling should be done dynamic balance according to the degree Q6.3 when rotational speed reaches 1/2 of its limit .

Material can be GG25 or S45C. After surface is machined and phosphated, they are of high precision and are durable in use.

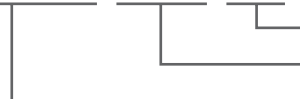
CAPT FL-COUPLING

material: GG25

Catalog	fundamental dimensions						Bore		Bolts		Max Torque (Nm)	Max Revolution n(rpm)	Moment of inertia (kg.cm ²)	G (kg)
	A	C	B	a	L	F	Pilot	Max	Sizes	Qty				
FL-100	100	42.5	67	10	35.5	16	-	25	M10	4	63	4000	25	2.11
FL-112	112	50	75	10	40	16	-	28	M10	4	90	4000	40	2.75
FL-125	125	56	85	14	45	18	-	32	M14	4	130	4000	70	3.85
FL-140	140	71	100	14	50	18	-	38	M14	6	220	4000	120	5.35
FL-160	160	80	115	14	56	18	-	45	M14	8	360	4000	200	7.15
FL-180	180	90	132	14	63	18	-	50	M14	8	500	3800	330	9.42
FL-200	200	100	145	20	71	22.4	18	56	M20	8	710	3550	650	14.70
FL-224	224	112	170	20	80	22.4	18	63	M20	8	1000	3150	1000	18.90
FL-250	250	125	180	25	90	28	20	71	M20	8	1400	2800	1900	27.40
FL-280	280	140	200	28	100	28	30	80	M24	8	2000	2500	3100	36.40
FL-315	315	160	236	28	112	28	32	90	M24	10	2800	2240	5100	49.00
FL-355	355	180	260	35.5	125	35.5	32	100	M30	8	4000	2000	10000	75.30
FL-400	400	200	300	35.5	125	35.5	50	110	M30	10	5300	1800	16000	95.20
FL-450	450	224	355	35.5	140	35.5	60	125	M30	12	7500	1600	27000	125.00
FL-560	560	250	450	35.5	160	35.5	80	140	M30	14	11000	1250	61000	189.00
FL-630	630	280	530	35.5	180	35.5	90	160	M30	18	16000	1120	100000	250.00

Keyway dimensions conform to DIN 6885, JIS B 1310-1976, UNI 6604-1969, GB 1095-1979 standards.

FL/FLS-160-38



Bore

Outside diameter of coupling

FL/FLS-coupling made of GG25 or S45C

FLS-Coupling

FLS-COUPLING

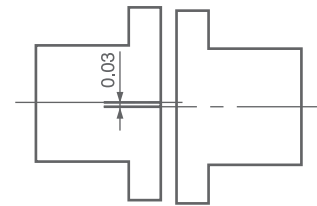
material:S45C

Catalog	fundamental dimensions						Bore		Bolts		Max Torque (Nm)	Max Revolution n(rpm)	Moment of inertia (kg.cm ²)	G (kg)
	A	C	B	a	L	F	Pilot	Max	Sizes	Qty				
FLS-112	112	50	75	10	40	16	13	30	M10	4	110	6000	43	2.90
FLS-125	125	56	85	14	45	18	13	35	M14	4	170	6000	75	4.03
FLS-140	140	71	100	14	50	18	13	42	M14	6	300	6000	120	5.55
FLS-160	160	80	115	14	56	18	14	48	M14	8	450	6000	210	7.49
FLS-180	180	90	132	14	63	18	14	55	M14	8	630	5700	350	9.73
FLS-200	200	100	145	20	71	22.4	18	60	M20	8	850	5200	690	15.30
FLS-224	224	112	170	20	80	22.4	18	70	M20	8	1400	4700	1100	19.30
FLS-250	250	125	180	25	90	28	20	75	M20	8	1600	4200	2000	28.80
FLS-280	280	140	200	28	100	28	30	85	M24	8	2500	3750	3300	38.00
FLS-315	315	160	236	28	112	28	32	100	M24	10	4000	3350	5400	50.00
FLS-355	355	180	260	36	125	35.5	32	110	M30	8	5000	3000	11000	77.50
FLS-400	400	200	300	36	125	35.5	50	125	M30	10	7500	2650	17000	96.60
FLS-450	450	224	355	36	140	35.5	60	140	M30	12	11000	2360	28000	127.00
FLS-560	560	250	450	36	160	35.5	80	150	M30	14	14000	1900	65000	198.00
FLS-630	630	280	530	36	180	35.5	90	170	M30	18	20000	1670	110000	261.00

Keyway dimensions conform to DIN 6885, JIS B 1310-1976, UNI 6604-1969, GB 1095-1979 standards.

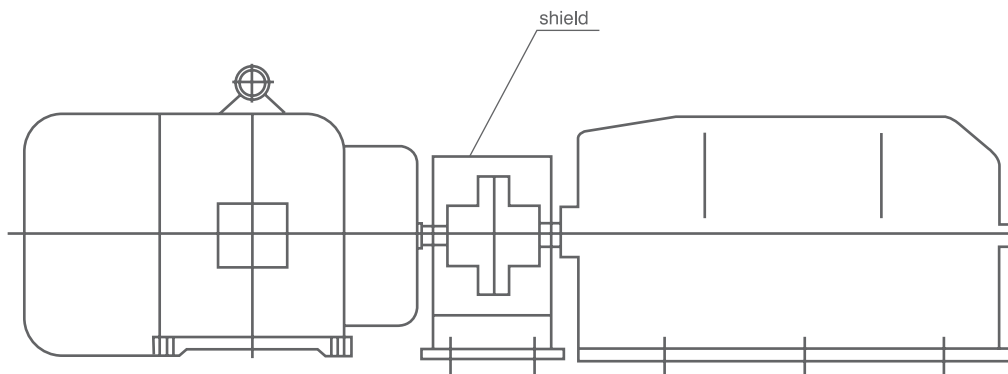
Direction of Installation:

1. When installing couplings, the concentricity between the center lines of the bores of the two half couplings should be within 0.03.

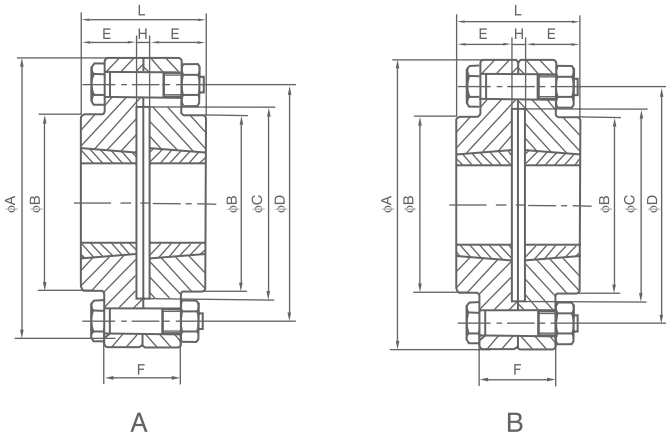


parallel misalignment

2. When using the couplings, safe device must be provided.



RM-Coupling



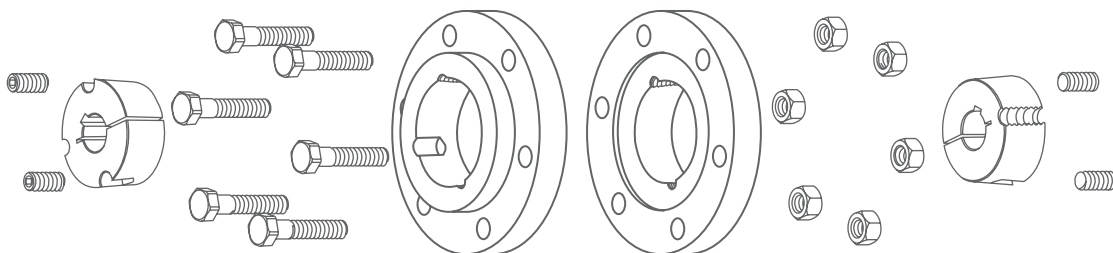
Special notice

Special Notice:RM-coupling Should be done dynamic balance according to the degree Q6.3 when rotational speed reaches 1/2 of its limit.

Taper Bore RM-Coupling

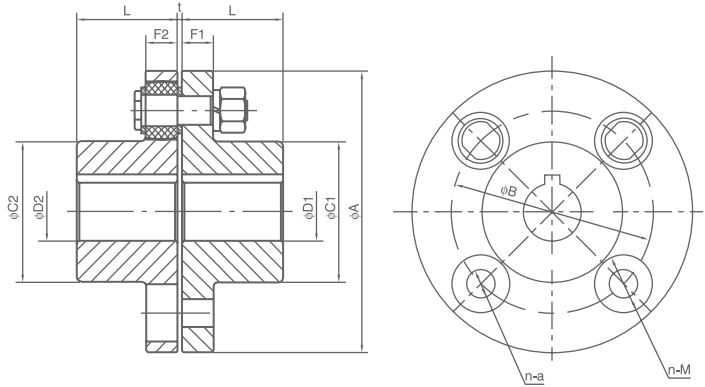
Catalog	Bush	fundamental dimensions								Bore		Bolts		Max Torque (Nm)	Max Revolution n(rpm)	G (kg)
		A	B	C	D	E	F	H	L	mm	max	Sizes	Qty			
RM12	1210	118	76	83	102	25.4	35	6.2	57	11	32	M10	4	130	4000	3.5
RM16	1615	127	83	90	105	38.1	43	6.8	83	14	42	M10	6	220	4000	4.5
RM25	2517	178	127	123	149	44.5	51	8	97	20	60	M12	8	500	3800	11
RM30	3030	216	152	146	184	76.2	65	6.6	159	25	75	M16	8	1000	3150	23
RM35	3535	248	178	178	213	89	75	7	185	35	90	M20	8	1400	2800	38
RM40	4040	298	216	210	257	101.6	76	6.8	210	40	100	M20	8	2700	2250	64
RM45	4545	330	241	230	286	114.3	86	6.4	235	55	110	M24	8	3200	2100	88
RM50	5050	362	267	268	314	127	90	6	260	60	125	M24	8	4000	2000	155

Keyway dimensions conform to DIN 6885, JIS B 1310-1976, UNI 6604-1969, GB 1095-1979 standards.



EL-Coupling

EL



Special notice

Special Notice:EL-coupling or ELS-coupling should be done dynamic balance according to the degree Q6.3 when rotational speed reaches 1/2 of its limit.

Material can be GG25 or S45C. After surface is machined and phosphated, they are with high precision and are durable in use.

EL-COUPLING

material:GG25

Catalog	fundamental dimensions										Bore		Bolts		Max Torque (Nm)	Max Revolution n(rpm)	Moment of inertia (kg.cm ²)	G (kg)
	A	B	C1	C2	M	a	L	t	F1	F2	Pilot	Max	Sizes	Qty				
EL-90	90	60	35.5	19	8	28	3	14	-	20	M8	4	15	4000	13	1.37		
EL-100	100	67	42.5	23	10	35.5	3	16	-	25	M10	4	29	4000	24	2.00		
EL-112	112	75	50	23	10	40	3	16	-	28	M10	4	33	4000	38	2.64		
EL-125	125	85	56	50	32	14	45	3	18	-	32	M12	4	73	4000	65	3.59	
EL-140	140	100	71	63	32	14	50	3	18	-	38	M12	6	130	4000	110	4.88	
EL-160	160	115	80	32	14	56	3	18	-	45	M12	8	200	4000	190	6.70		
EL-180	180	132	90	32	14	63	3	18	-	50	M12	8	230	3500	300	8.98		
EL-200	200	145	100	41	20	71	4	22.4	18	56	M20	8	440	3200	600	13.90		
EL-224	224	170	112	41	20	80	4	22.4	18	63	M20	8	510	2850	960	18.10		
EL-250	250	180	125	51	25	90	4	28	20	71	M24	8	850	2550	1800	26.60		
EL-280	280	200	140	57	28	100	4	28	40	30	80	M24	8	1500	2300	3200	37.40	
EL-315	315	236	160	57	28	112	4	28	40	32	90	M24	10	2200	2050	5300	50.30	
EL-355	355	260	180	72	35.5	125	5	35.5	56	32	100	M30	8	3500	1800	11000	79.20	
EL-400	400	300	200	72	35.5	125	5	35.5	56	50	110	M30	10	5000	1600	18000	100.00	
EL-450	450	355	224	72	35.5	140	5	35.5	56	60	125	M30	12	7100	1400	29000	132.00	
EL-560	560	450	250	72	35.5	160	5	35.5	56	80	140	M30	14	10000	1150	68000	207.00	
EL-630	630	530	280	72	35.5	180	5	35.5	56	90	160	M30	18	16000	1000	110000	271.00	
EL-710	710	600	315	72	35.5	224	5	56		110	180	M30	24	25000	900	220000	425.00	
EL-711	710	580	355	87	45	250	7	80		120	200	M42	20	34000	900	320000	588.00	
EL-800	800	670	375	87	45	265	7	80		130	210	M42	22	45000	800	510000	745.00	

Keyway dimensions conform to DIN 6885, JIS B 1310-1976, UNI 6604-1969, GB 1095-1979 standards.

ELS-Coupling

ELS-COUPLING

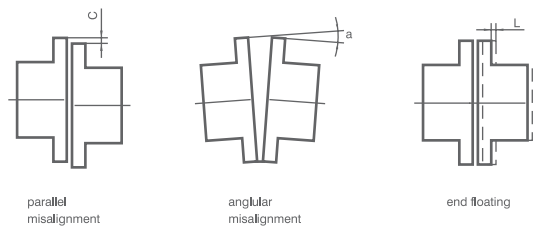
material:S45C

Catalog	fundamental dimensions										Bore		Bolts		Max Torque (Nm)	Max Revolution n(rpm)	Moment of inertia (kg.cm ²)	G (kg)
	A	B	C1	C2	M	a	L	t	F1	F2	Pilot	Max	Sizes	Qty				
ELS-112	112	75	50		23	10	40	3	16	13	30	M10	4	33	6000	41	2.78	
ELS-125	125	85	56	50	32	14	45	3	18	13	30	M12	4	73	6000	69	3.76	
ELS-140	140	100	71	63	32	14	50	3	18	13	38	M12	6	130	6000	110	5.06	
ELS-160	160	115	80		32	14	56	3	18	14	48	M12	8	200	6000	200	6.98	
ELS-180	180	132	90		32	14	63	3	18	14	55	M12	8	230	5250	320	9.23	
ELS-200	200	145	100		41	20	71	4	22.4	18	65	M20	8	440	4800	640	14.4	
ELS-224	224	170	112		41	20	80	4	22.4	18	70	M20	8	510	4300	1100	18.4	
ELS-250	250	180	125		51	25	90	4	28	20	75	M24	8	850	3800	1900	27.8	
ELS-280	280	200	140		57	28	100	4	28	40	30	85	M24	8	1500	3450	3400	38.9
ELS-315	315	236	160		57	28	112	4	28	40	32	100	M24	10	2200	3050	5600	51.2
ELS-355	355	260	180		72	35.5	125	5	35.5	56	32	110	M30	8	3500	2700	12000	81.4
ELS-400	400	300	200		72	35.5	125	5	35.5	56	50	125	M30	10	5000	2400	19000	102
ELS-450	450	355	224		72	35.5	140	5	35.5	56	60	140	M30	12	7100	2150	31000	135
ELS-560	560	450	250		72	35.5	160	5	35.5	56	80	150	M30	14	10000	1700	72000	216
ELS-630	630	530	280		72	35.5	180	5	35.5	56	90	170	M30	18	16000	1500	120000	284

Keyway dimensions conform to DIN 6885, JIS B 1310-1976, UNI 6604-1969, GB 1095-1979 standards.

Conceptual diagram for installing error

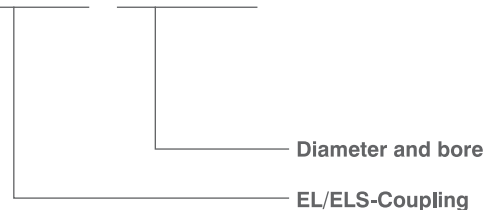
catalog	Errors of eccentricity (mm)	Errors of angularity (°)	Errors of shaft end-play (mm)
EL90-125	0.10	0.17	±2.10
EL140-180	0.20	0.17	±2.10
EL200-250			±2.80
EL280-315	0.30	0.17	±2.80
EL355-710			±3.50
EL711-800			±4.90



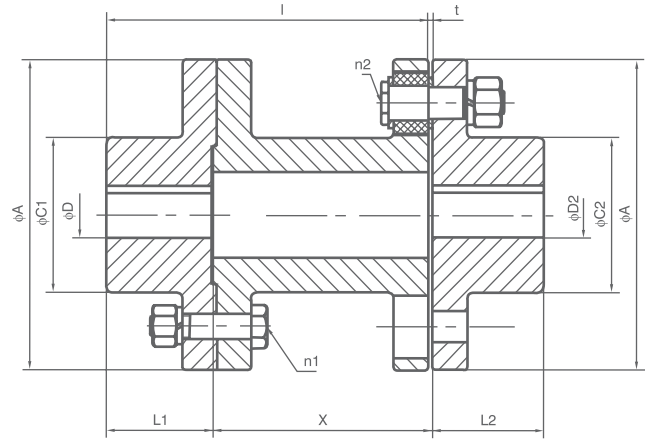
1. When flange outside diameter fits tightly without gap, must set the center of the driving and the driven shaft precisely.
2. To maintain rubber bush for a long time, make installing error to least.
3. The value of 't' is equivalent to thickness of washer.

Expressing method:

EL/ELS-160-38



GL-Coupling



GL-COUPLING

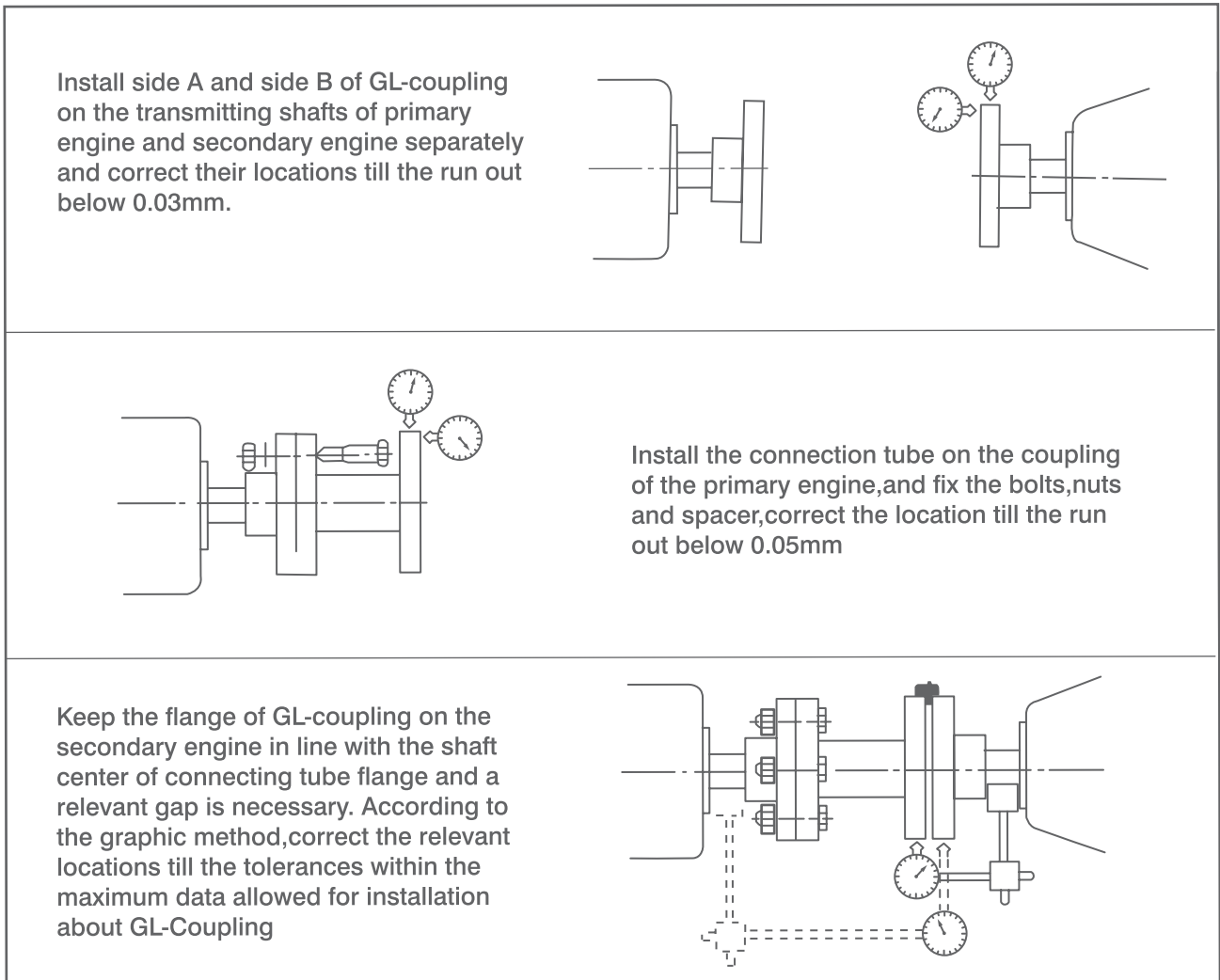
Catalog AxX	Fundamental dimensions						Bore		n1	n2	Max Torque (Nm)	Max Revolution (rpm)	Moment of Inertia (kg.cm ²)	G (kg)
	L	L1	L2	C1	C2	t	pilot	max						
GL-112x100	134	37	40	50	50	3	11	28	4	4	33	4000	79	5.53
GL-125x100	139	42	45	56	56	3	11	32	4	4	73	4000	140	7.47
GL-140x100	144	47	50	71	71	3	11	38	6	6	130	4000	220	9.9
GL-140x140	184	47	50	71	71	3	11	38	6	6	130	4000	230	10.5
GL-160x100	150	53	56	80	80	3	11	45	8	8	200	4000	380	12.8
GL-160x140	190	53	56	80	80	3	11	45	8	8	200	4000	390	13.6
GL-180x100	157	60	63	90	90	3	11	50	8	8	230	3500	620	16.6
GL180x140	197	60	63	90	90	3	11	50	8	8	230	3500	630	17.5
GL180x180	237	60	63	90	90	3	11	50	8	8	230	3500	640	18.4
GL-200x140	203	67	71	100	100	4	18	56	8	8	440	3200	1200	26.7
GL-200x180	243	67	71	100	100	4	18	56	8	8	440	3200	1300	27.8
GL200x220	283	67	71	100	100	4	18	56	8	8	440	3200	1300	28.9
GL-224x140	212	76	80	112	112	4	18	63	8	8	510	2850	2000	33.9
GL-224x180	252	76	80	112	112	4	18	63	8	8	510	2850	2000	35.3
GL-224x220	292	76	80	112	112	4	18	63	8	8	510	2850	2000	36.7
GL-250x140	222	86	90	125	125	4	20	71	8	8	850	2550	3600	49.6
GL-250x180	262	86	90	125	125	4	20	71	8	8	850	2550	3700	51.5
GL-250x220	302	86	90	125	125	4	20	71	8	8	850	2550	3700	53.4
GL-250x260	342	86	90	125	125	4	20	71	8	8	850	2550	3800	55.3
GL-280x180	272	96	100	140	140	4	30	80	8	8	1500	2300	6200	69.4
GL-280x220	312	96	100	140	140	4	30	80	8	8	1500	2300	6300	71.8
GL-280x260	352	96	100	140	140	4	30	80	8	8	1500	2300	6400	74.2
GL-280x300	392	96	100	140	140	4	30	80	8	8	1500	2300	6500	76.6
GL-315x180	284	108	112	160	160	4	32	90	10	10	2200	2050	10000	90.6
GL-315x220	324	108	112	160	160	4	32	90	10	10	2200	2050	10000	93.7
GL-315x260	364	108	112	160	160	4	32	90	10	10	2200	2050	11000	96.8
GL-315x300	404	108	112	160	160	4	32	90	10	10	2200	2050	11000	99.8

Keyway dimensions conform to DIN 6885, JIS B 1310-1976, UNI 6604-1969, GB 1095-1979 standards.

GL-Coupling

Standard

Conceptual Diagram for in stallation



Materials:

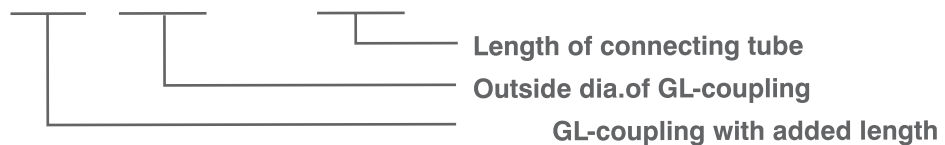
GG25. After the surface is machined and coated with phosphate, they become durable and precise.

Special Notice:

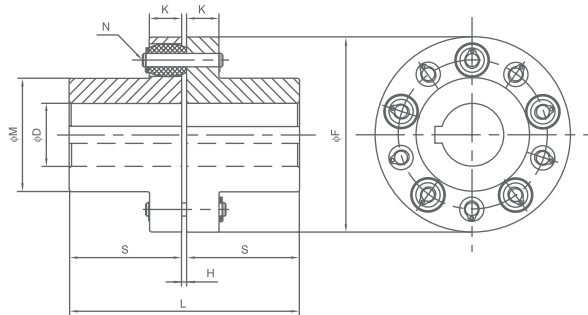
Dynamic balancing should be done to the GL-couplings according to degree Q6.3 when rotational speed reaches half of its limit.

Expressing method:

GL 160 X 100



EP-Coupling



Material can be GG25
After surface is machined and phosphated, they are of high precision and are durable in use.

Special notice
Special Notice:EP-coupling should be done dynamic balance according to the degree Q6.3 when rotational speed reaches 1/2 of its limit.

EP-COUPLING

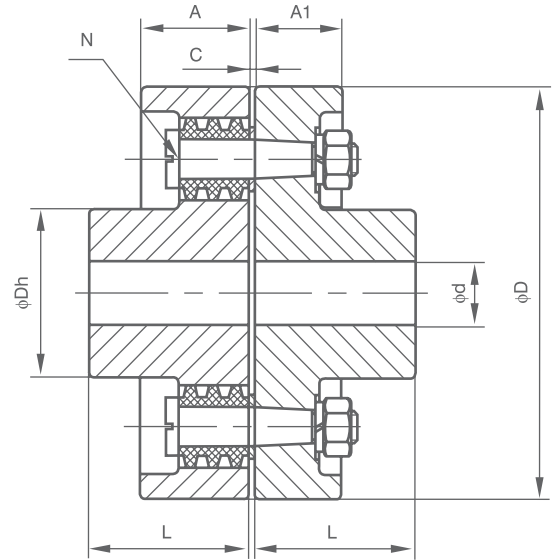
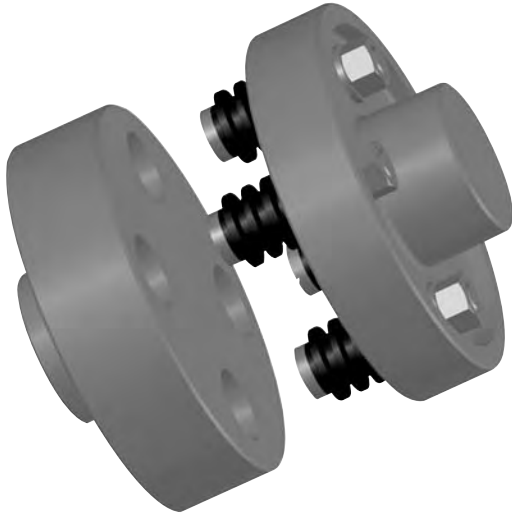
material:GG25

Catalog	fundamental dimensions						Bore		N	Max Torque (Nm)	Max Revolution n(rpm)	Moment of inertia (kg.cm ²)	G (kg)
	F	M	L	H	K	S	Pilot	Max					
E120P	120	71	143	3	20	70	—	45	10	350	6000	62.3	6
E140P	140	85	163	3	20	80	—	55	14	600	5300	123.3	9
E160P	160	102	183	3	20	90	—	60	16	900	4500	246.6	14
E180P	180	103	204	4	25	100	—	65	12	1300	4000	391.4	17
E200P	200	118	234	4	25	115	—	75	14	1800	3600	652.3	27
E225P	225	145	264	4	25	130	40	90	16	2600	3200	1268.5	47
E250P	250	147	305	5	38	150	45	95	14	4600	3000	2200.8	55
E300P	300	182	365	5	38	180	50	110	16	6500	2500	5409.2	85
E350P	350	200	406	6	60	200	60	120	12	10500	2200	12626.6	130
E400P	400	232	446	6	60	220	70	140	14	14500	1800	22818.4	190
E450P	445	253	487	7	72	240	75	160	12	21000	1600	38377.0	260
E500P	495	288	527	7	72	260	75	180	14	28000	1400	61737.8	350
E550P	545	322	567	7	72	280	80	210	16	36000	1200	93726.1	450
E630P	625	375	567	7	90	280	130	250	14	75000	1000	190030.3	710
E680P	680	405	567	7	90	280	150	270	16	95000	900	267733.2	980
E800P	795	420	607	7	90	300	180	280	20	146000	760	471359.6	1100
E900P	900	448	607	7	90	300	200	300	22	200000	680	769873.0	1250
E1100P	1100	550	807	7	100	400	280	350	28	350000	600	2035250.0	2520

Keyway dimensions conform to DIN 6885, JIS B 1310-1976, UNI 6604-1969, GB 1095-1979 standards.

Notice: To maintain rubber bush for a long time, make installing error to the least

EE-Coupling



Inserting type installation
 Vibration absorbing, torque is transmitted elasticity.
 No need for maintenance, effectively recify axial, radial
 and angular tolerance while installing.

Material can be GG25
 After surface is machined and
 phosphated, they are of high
 precision and are durable in use.

Special notice

Special Notice:EE-coupling should be done
 dynamic balance according to the degree
 Q6.3 when rotational speed reaches 1/2 of
 its limit.

CAPT EE-COUPLING

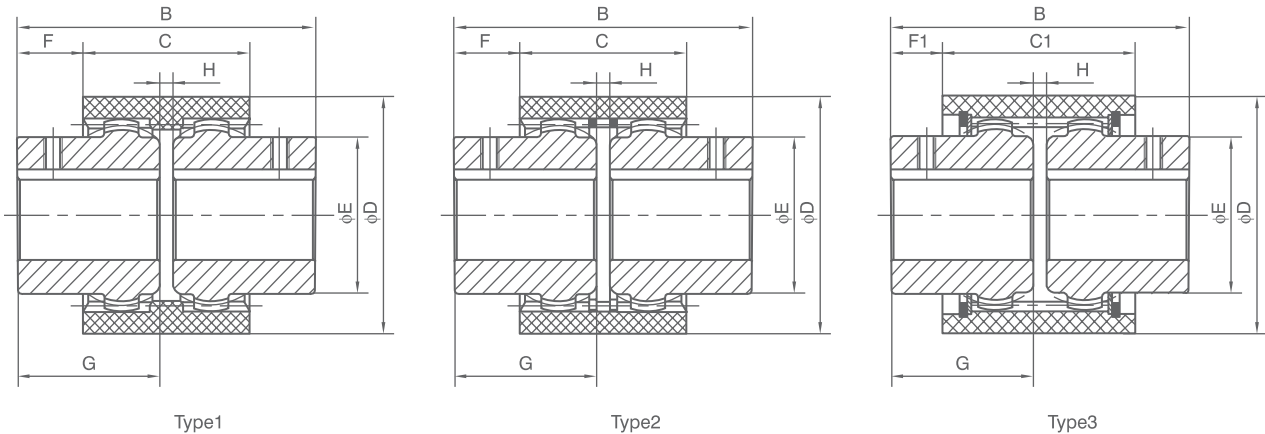
material:GG25

Catalog	Fundamental dimensions						Bore		Bolts Qty	Torque (Nm)	Max Revolution (rpm)	G (kg)
	D	Dh	L	Al	A	c	Pilot	Max				
EE-128	128	52	50	27	34	2	12	26	4	91	4600	4.35
EE-135	135	61	54	27	34	2	18	33	6	144	4420	5.35
EE-147	147	71	58	27	34	2	22	42	8	218	4000	6.88
EE-172	172	81	65	35	43	3	25	45	6	341	3400	10.55
EE-191	191	98	70	35	43	3	30	57	8	575	3020	14.35
EE-216	216	113	79	35	43	3	33	64	10	900	2700	20.65
EE-256	256	129	90	55	65	4	44	70	8	1890	2300	39.50
EE-280	280	149	105	55	65	4	60	80	10	2800	2090	50.75
EE-330	330	184	119	55	65	4	70	100	12	3950	1760	77.00

Keyway dimensions conform to DIN 6885, JIS B 1310-1976, UNI 6604-1969,
 GB 1095-1979 standards.

GF-Coupling

GF tooth coupling are widely used in variety mechanical engineering and hydraulic field. Suitable for horizontal and vertical installation. Axial shaft inserting assembly, which is very convenient for users. Adopting curve surface drum type tooth to avoid focal of stress when installation tolerances happen. Steel gear and nylon teeth sheath assembled together to avoid maintenance, which is capable to compensate axial, radial and angular tolerance in term of two shaft lines.



GF-coupling(standard series)(Type1 Type2)

Catalog	fundamental dimensions							Bore		Max Torque (Nm)	Max Revolution n(rpm)	Moment of inertia (kg.cm ²)	G (kg)
	D	E	B	C	F	G	H	Pilot	Max				
GF-14	41	25	51	38	6.5	23.5	4	6	14	23	14000	0.27	0.222
GF-19	48	32	55	38	8.5	25.5	4	8	19	37	12000	0.64	0.388
GF-24	52	36	57	42	7.5	26.5	4	10	24	46	10000	0.92	0.497
GF-28	68	45	86	48	19	41	4	10	28	103	8000	3.45	1.166
GF-32	75	50	84	48	18	40	4	12	32	138	7100	5.03	1.424
GF-38	85	58	84	50	17	40	4	14	38	176	6300	9.59	1.991
GF-42	95	63	88	50	19	42	4	20	42	220	6000	13.06	2.387
GF-48	100	68	104	50	27	50	4	20	48	308	5600	18.15	3.198
GF-55	120	82	124	65	29.5	60	4	25	55	570	4800	49.44	5.617
GF-65	140	95	144	72	36	70	4	25	65	840	4000	106.34	8.635

GF-coupling(standard series)(Type3)

Catalog	fundamental dimensions							Bore		Max Torque (Nm)	Max Revolution n(rpm)	Moment of inertia (kg.cm ²)	G (kg)
	D	E	B	C1	F1	G	H	Pilot	Max				
GF-24	52	36	57	52	2.5	26.5	4	10	24	46	10000	0.92	0.497
GF-28	68	45	86	58	14	41	4	10	28	103	8000	3.45	1.166
GF-32	75	50	84	58	13	40	4	12	32	138	7100	5.03	1.424
GF-38	85	58	84	62	14	40	4	14	38	176	6300	9.59	1.991
GF-42	95	63	88	62	14	42	4	20	42	220	6000	13.06	2.387
GF-48	100	68	104	66	14	50	4	20	48	308	5600	18.15	3.198
GF-55	120	82	124	81	15	60	4	25	55	570	4800	49.44	5.617
GF-65	140	95	144	88	15	70	4	25	65	840	4000	106.34	8.635

Keyway dimensions conform to DIN 6885, JIS B 1310-1976, UNI 6604-1969, GB 1095-1979 standards.

GF-Coupling

GF-coupling(lengthen series)(Type1 Type2)

Catalog	fundamental dimensions							Bore		Max Torque (Nm)	Max Revolution (rpm)	Moment of inertia (kg.cm ²)	G (kg)
	D	E	B	C	F	G	H	min	max				
GF-14L	41	25	64	38	13	30	4	6	14	23	14000	0.32	0.282
GF-19L	48	32	84	38	23	40	4	8	19	37	12000	0.9	0.588
GF-24L	52	36	104	42	31	50	4	10	24	46	10000	1.7	0.877
GF-28L	68	45	124	48	38	60	4	10	28	103	8000	5.1	1.666
GF-32L	75	50	124	48	38	60	4	12	32	138	7100	7.68	2.044
GF-38L	85	58	164	50	57	80	4	14	38	176	6300	17.45	3.791
GF-42L	95	63	224	50	87	110	4	20	42	220	6000	32.15	5.707
GF-48L	100	68	224	50	87	110	4	20	48	308	5600	42.9	6.618
GF-55L	120	82	224	65	79.5	110	4	25	55	570	4800	92.97	13.597
GF-65L	140	95	224	72	76	140	4	25	65	840	4000	211.84	16.435

GF-coupling(lengthen series)(Type3)

Catalog	fundamental dimensions							Bore		Max Torque (Nm)	Max Revolution (rpm)	Moment of inertia (kg.cm ²)	G (kg)
	D	E	B	C1	F1	G	H	Pilot	Max				
GF-24L	52	36	104	52	26	50	4	10	24	46	10000	1.7	0.877
GF-28L	68	45	124	58	33	60	4	10	28	103	8000	5.1	1.666
GF-32L	75	50	124	58	33	60	4	12	32	138	7100	7.68	2.044
GF-38L	85	58	164	62	52	80	4	14	38	176	6300	17.45	3.791
GF-42L	95	63	224	62	82	110	4	20	42	220	6000	32.15	5.707
GF-48L	100	68	224	66	82	110	4	20	48	308	5600	42.9	6.618
GF-55L	120	82	224	81	71.5	110	4	25	55	570	4800	92.97	13.597
GF-65L	140	95	224	88	68	140	4	25	65	840	4000	211.84	16.435

Keyway dimensions conform to DIN 6885, JIS B 1310-1976, UNI 6604-1969, GB 1095-1979 standards.

Expressing method:

GF - 14 - 1

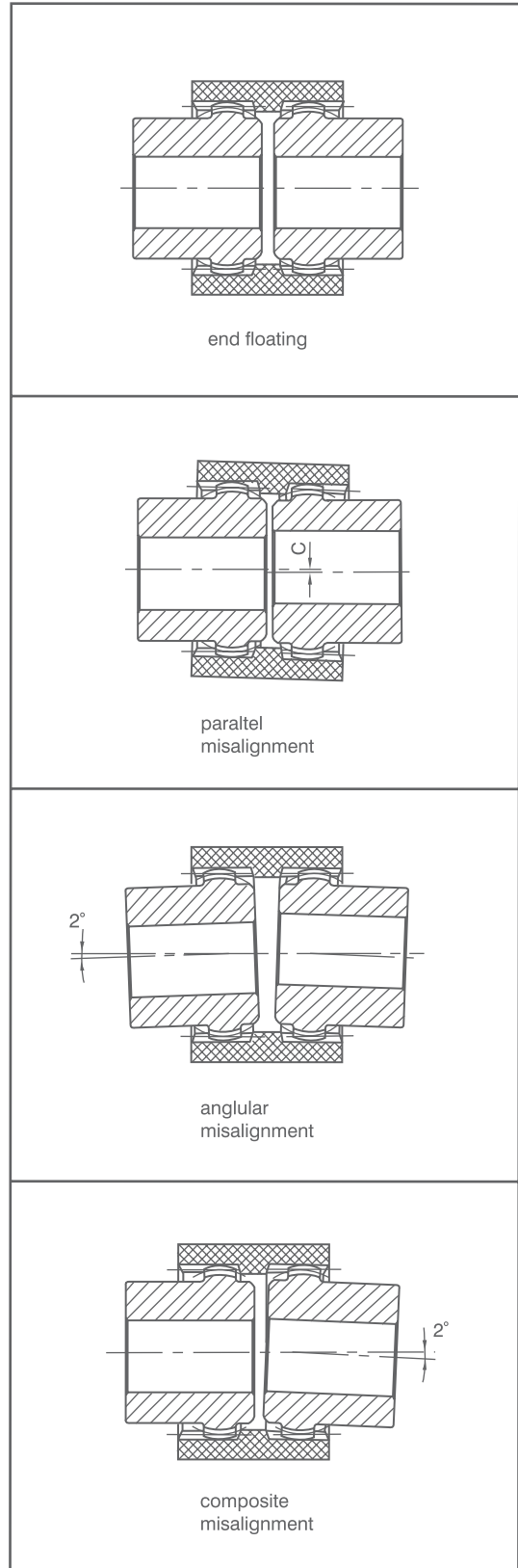


GF - 14L - 1



GF-Coupling

Conceptual diagram for installing error



Catalog	Parallel misalignment	angular misalignment	Shaft End-play
GF-14	0.7	$\pm 2^\circ$	± 1
GF-19	0.8	$\pm 2^\circ$	± 1
GF-24	0.8	$\pm 2^\circ$	± 1
GF-28	1.0	$\pm 2^\circ$	± 1
GF-32	1.0	$\pm 2^\circ$	± 1
GF-38	0.9	$\pm 2^\circ$	± 1
GF-42	0.9	$\pm 2^\circ$	± 1
GF-48	0.9	$\pm 2^\circ$	± 1
GF-55	1.2	$\pm 2^\circ$	± 1
GF-65	1.3	$\pm 2^\circ$	± 1

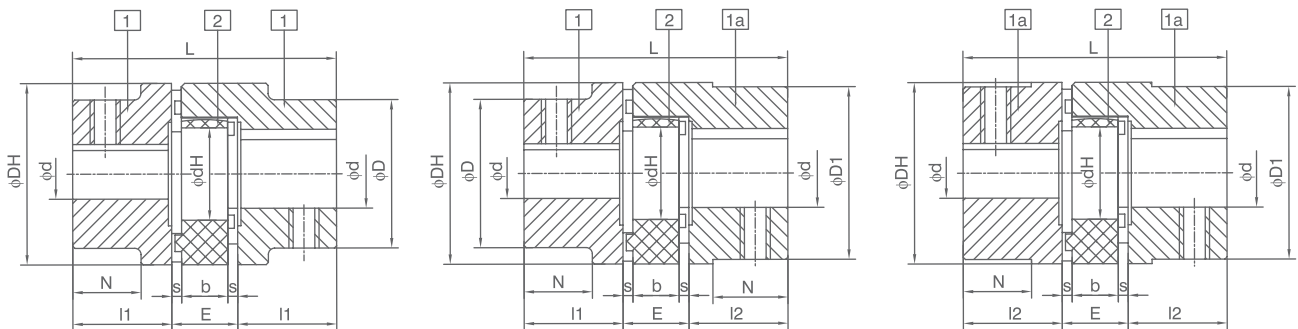
Directions for Installation:

When installing couplings, the shaft face should be parallel to the gear face. There should be a slot between the two gears or enough external length for installation and also radial eccentricity. Angular and axial deviation should be ensured within allowed values.

GE-Coupling



- Torque is transmitted elastically, no need for maintenance.
- Lose efficacy protection
- Vibration absorbing
- Axial inserting type installation
- Excellent dynamic characteristics
- Simple design/weak inertia
- Effectively rectify axial, radial and angular deviation happened in installation.



GE-COUPLING

material:AL

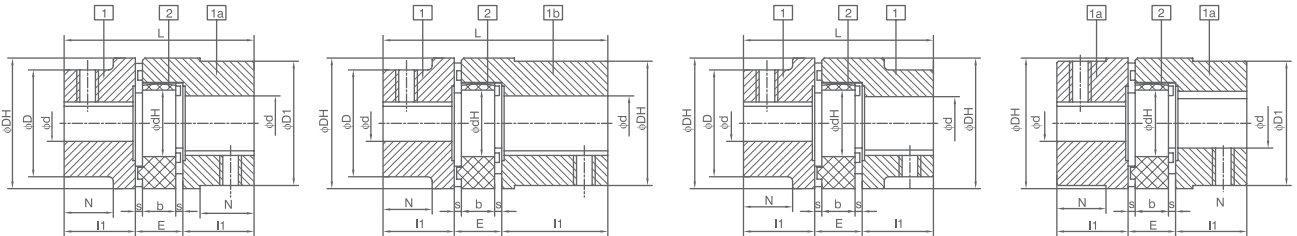
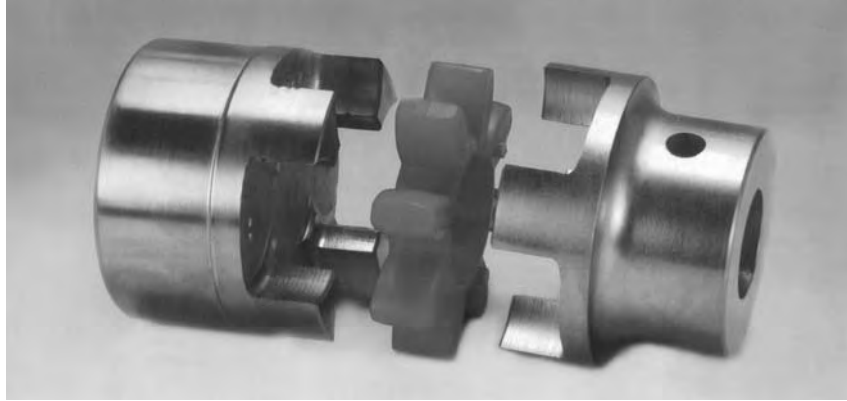
Catalog	Part	Elastomer Rating Moment			Collectivity Size(mm)											Moment of inertia (kg.cm ²)	G (kg)
		Yellow (Nm)	Red (Nm)	Moment of inertia (kg.cm ²)	Bore (d)		L	I _{1,2}	E	b	s	N	DH	D, D1	d _H		
					Pilot	Max											
GE-14	1a	7.5	12.5	0.004	-	16	35	11	13	10	1.5	0	30	30	10	0.025	0.020
GE-19	1	10	17	0.030	-	19	66	25	16	12	2	20	41	18	0.105	0.054	
	1a				-	24											41
GE-24	1	35	60	0.100	-	24	78	30	18	14	2	24	56	27	0.370	0.110	
	1a				-	28											56
GE-28	1	95	160	0.200	-	28	90	35	20	15	2.5	28	67	30	0.900	0.180	
	1a				-	38											67

Order form:

GE-24	AL	Yellow	1	φ10	1a	φ15
GE-24	AL	Yellow	1	—	1	—
Coupling size	Material	Spider	Hub design	Finish bore	Hub design	Finish bore

Note: Authlitlms are in pilot bore, Finished bore can be provided according to customers' requirement

GE-Coupling



GE-COUPLING

material:GG25

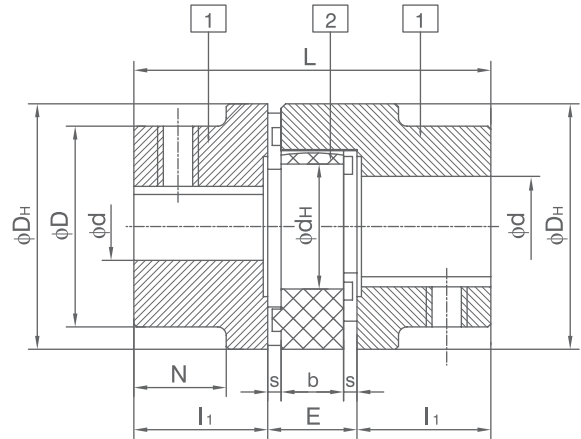
Catalog	Part	Elastomer Rating Moment			Collectivity Size(mm)											Moment of inertia (kg.cm ²)	G (kg)
		Yellow (Nm)	Red (Nm)	Moment of inertia (kg.cm ²)	Bore (d)		L	1 _{1,12}	E	b	s	N	D _H	D ₁ D ₁	dH		
					Pilot	Max											
GE-38	1	190	325	0.50	10	38	114	45	24	18	3	37	80	66	38	8.51	1.01
	1a				20	45								78		12.70	1.17
	1b					164	70							62		19.40	1.73
GE-42	1	265	450	1.00	10	42	126	50	26	20	3	40	95	75	46	17.95	1.56
	1a				30	55								94		30.00	1.88
	1b					176	75							65		43.10	2.68
GE-48	1	310	525	2.00	12	48	140	56	28	21	3.5	45	105	85	51	30.41	2.15
	1a				30	60								104		49.56	2.55
	1b					188	80							69		68.58	3.51
GE-55	1	410	685	3.00	15	55	160	65	30	22	4	52	120	98	60	61.44	3.25
	1b				40	70								118		94.56	5.20
GE-65	1	625	940	5.00	20	65	185	75						35	26	4.5	47
GE-75	1	1280	1920	12	25	75	210	85	40	30	5	53	160	135	80	308.92	7.82
GE-90	1	2400	3600	33	35	90	245	100	45	34	5.5	62	200	160	100	830.75	13.4

Order form:

GE-42	GG25	Red	1	φ10	1a	φ30
GE-42	GG25	Yellow	1	φ10	1	φ10
Coupling size	Material	Spider	Hub design	Finish bore	Hub design	Finish bore

Note: Autiltims are in pilot bore, Finished bore can be provided according to customers' requirement

GE-Coupling



GE-COUPLING

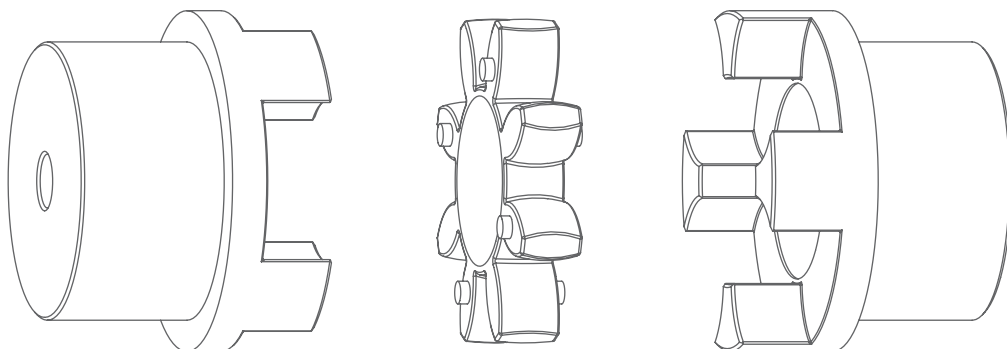
material:GGG40

Catalog	Part	Elastomer Rating Moment			Collectivity Size(mm)											Moment of inertia (kg.cm ²)	G (kg)
		Yellow (Nm)	Red (Nm)	Moment of Inertia (kg.cm ²)	Bore (d)		L	I ₁	E	b	s	N	D _H	D	d _H		
					Pilot	Max											
GE-100	1	3300	4950	70	45	115	270	110	50	38	6	89	225	180	113	1157	16.8
GE-110	1	4800	7200	150	55	125	295	120	55	42	6.5	96	255	200	127	2073	23.9
GE-125	1	6650	10000	250	55	145	340	140	60	46	7	112	290	230	147	4071	35.6
GE-140	1	8550	12800	400	55	160	375	155	65	50	7.5	124	320	255	165	7391	48.3
GE-160	1	12800	19200	800	75	185	425	175	75	57	9	140	370	290	190	14441	70.3
GE-180	1	18650	28000	1730	80	200	475	185	85	64	11	156	420	325	220	26417	108.0

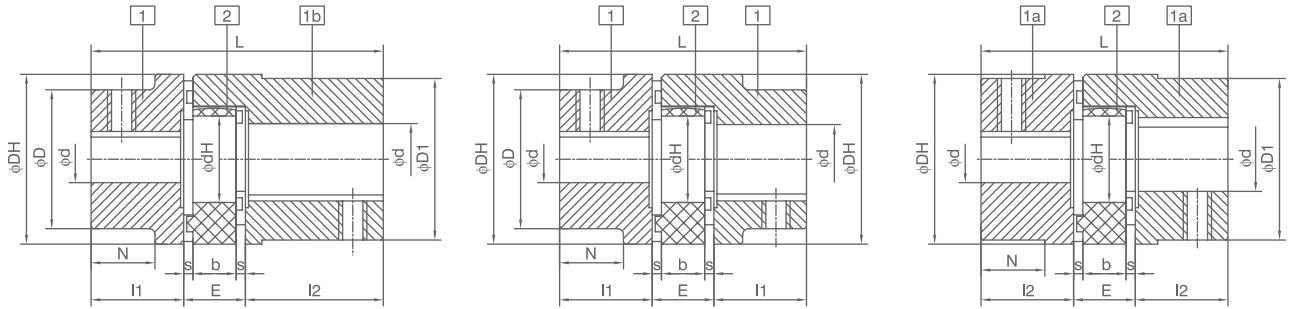
Order form:

GE-125	GGG40	Yellow	1	φ55	1	φ55
Coupling size	Material	Spider	Hub design	Finish bore	Hub design	Finish bore

Note: Authlitlms are in pilot bore, Finished bore can be provided according to customers' requirement



GE-Coupling



GE-COUPLING

material:Steel

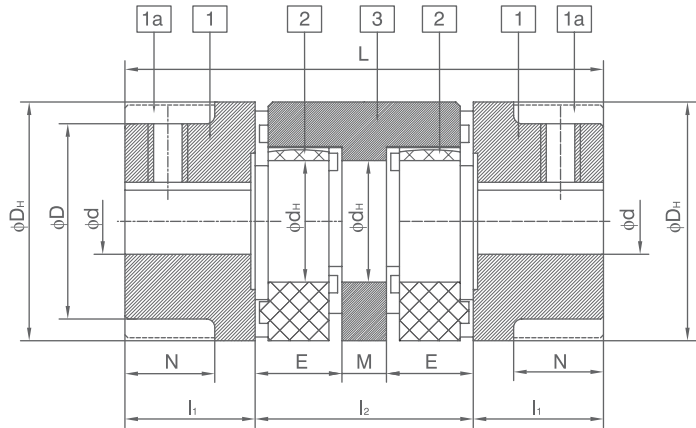
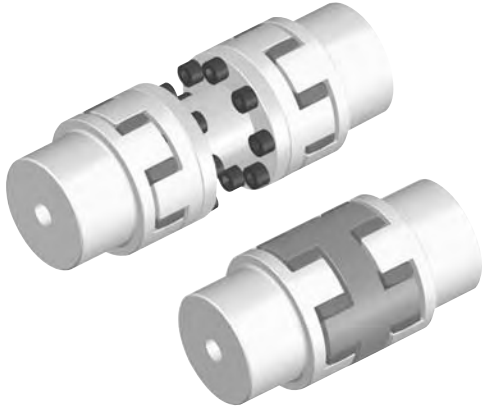
Catalog	Part	Elastomer Rating Moment			Collectivity Size(mm)											Moment of inertia (kg.cm ²)	G (kg)
		Yellow (Nm)	Red (Nm)	Moment of inertia (kg.cm ²)	Bore (d)		L	I _{1,2}	E	b	s	N	D _H	D, D ₁	d _H		
					Pilot	Max											
GE-19	1a	10	17	0.03	-	25	66	25	16	12	2	-	40	40	18	0.48	0.18
	1b						90	37									
GE-24	1a	35	60	0.1	-	35	78	30	18	14	2	-	55	55	27	1.99	0.37
	1b						118	50									
GE-28	1a	95	160	0.2	-	40	90	35	20	15	2.5	-	65	65	30	4.58	0.64
	1b						140	60									
GE-38	1	190	325	0.5	-	48	114	45	24	18	3	27	80	70	38	10.14	1.01
	1b						164	70				-					
GE-42	1	265	450	1.0	-	55	126	50	26	20	3	28	95	85	46	24.63	1.56
	1b						176	75				-					
GE-48	1	310	525	2.0	-	62	140	56	28	21	3.5	32	105	95	51	40.43	2.15
	1b						188	80				-					
GE-55	1	410	685	3.0	-	74	160	65	30	22	4	37	120	110	60	79.64	3.25
	1b						210	90				-					
GE-65	1	625	940	5.0	-	80	185	75	35	26	4.5	47	135	115	68	127.38	4.96
	1b						235	100				-					
GE-75	1	1280	1920	12	-	95	210	85	40	30	5	53	160	135	80	276.50	7.82
	1b						260	110				-					
GE-90	1	2400	3600	33	-	110	245	100	45	34	5.5	62	200	160	100	768.89	13.40
	1b						295	125				-					

Order form:

GE-24	Steel	Red	1a	φ10	1b	φ20
GE-24	Steel	Yellow	1a	—	1a	—
Coupling size	Material	Spider	Hub design	Finish bore	Hub design	Finish bore

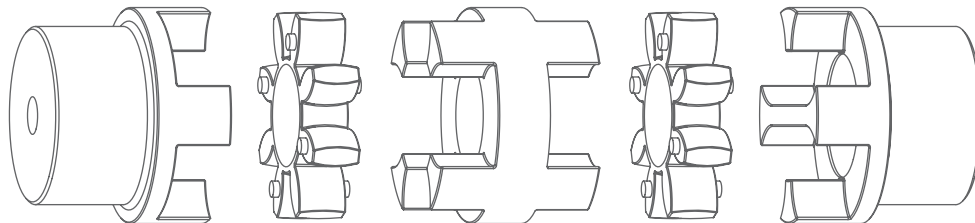
Note: Authlitlms are in pilot bore, Finished bore can be provided according to customers' requirement

GEM-Coupling



GEM-COUPLING

Catalog	Part	Rating Moment (Nm)		I_1	E	M	I_2	L	D_H	d_H	Max Displacement at n=1500 rpm		Max.Axial Displacement	Moment of inertia (kg.cm ²)	G (kg)
		Rating	Max								Radial	Angular			
GEM-19	3	10	20	25	16	10	42	92	40	18	0.65	1.5°	1.1	0.25	0.07
GEM-24	3	35	70	30	18	16	52	112	55	27	0.89		1.4	0.60	0.14
GEM-28	3	95	190	35	20	18	58	128	65	30	1.00		1.5	1.30	0.22
GEM-38	3	190	380	45	24	20	68	158	80	38	1.15		1.8	3.50	0.35
GEM-42	3	265	530	50	26	22	74	174	95	46	1.26		2.0	7.00	0.51
GEM-48	3	310	620	56	28	24	80	192	105	51	1.36		2.1	10.00	0.67
GEM-55	3	410	820	65	30	28	88	218	120	60	1.52		2.2	20.00	0.97
GEM-65	3	625	1250	75	35	32	102	252	135	68	1.75		2.6	40.00	1.43
GEM-75	3	1280	2560	85	40	36	116	286	160	80	2.00		3.0	90.00	2.20
GEM-90	3	2400	4800	100	45	40	130	330	200	100	2.50		3.4	250.00	3.90

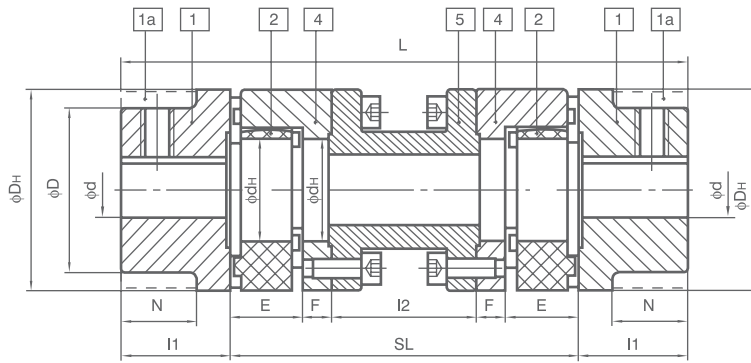


Order form:

GEM-24	AL-D	Red	1a	—	1a	—
Coupling size	Material	Spider	Hub design	Finish bore	Hub design	Finish bore

Note: Auhlitlms are in pilot bore, Finished bore can be provided according to customers' requirement

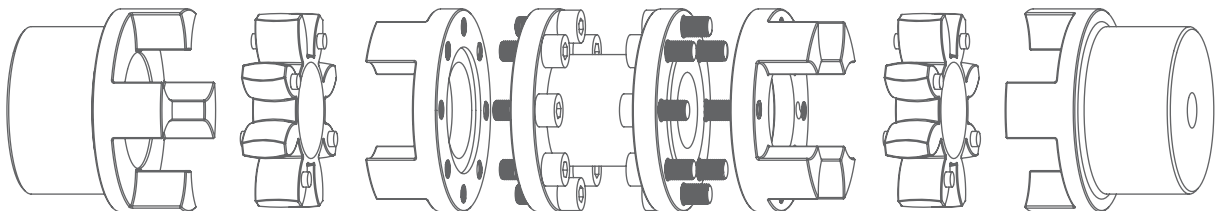
GEL-Coupling



- Torque is transmitted elastically, no need for maintenance.
- Lose efficacy protection
- Excellent vibration reducing capacity
- Relevant components utility time can be extended
- Double-connection structure, saving time for calibrating
- Decrease unbalanced degree, keep stability

GEL-COUPLING

Catalog	Rating Moment (Nm)		I ₁	E	F	L ₂	L	D _H	d _H	The rest dimensions see GE-Coupling	Max.Radial Displacement when angular displacement is 1° and n=1500 rpm	Dismountable length SL				Max.Axial Displacement	Internal hexagon head bolt	
	Rating	Max										100	140	180	250		Size	QTY
GEL-24	35	70	30	18	8	SL-2(E+F)	SL+60	55	27	The rest dimensions see GE-Coupling	Max.Radial Displacement when angular displacement is 1° and n=1500 rpm	1.4			1.4	M5	16	
GEL-28	95	190	35	20	10		SL+70	65	30			1.4			1.5	M6	16	
GEL-38	190	380	45	24	10		SL+90	80	38				2.0		1.8	M8	16	
GEL-42	265	530	50	26	12		SL+100	95	46				2.0		2.0	M8	24	
GEL-48	310	620	56	28	12		SL+112	105	51				2.0		2.1	M8	24	
GEL-55	410	820	65	30	16		SL+130	120	60					2.6	3.8	2.2	M10	16
GEL-65	625	1250	75	35	16		SL+150	135	68						3.8	2.6	M10	24
GEL-75	1280	2560	85	40	19		SL+170	160	80						3.7	3.0	M12	24
GEL-90	2400	4800	100	45	20		SL+200	200	100						3.6	3.4	M16	30



Order form:

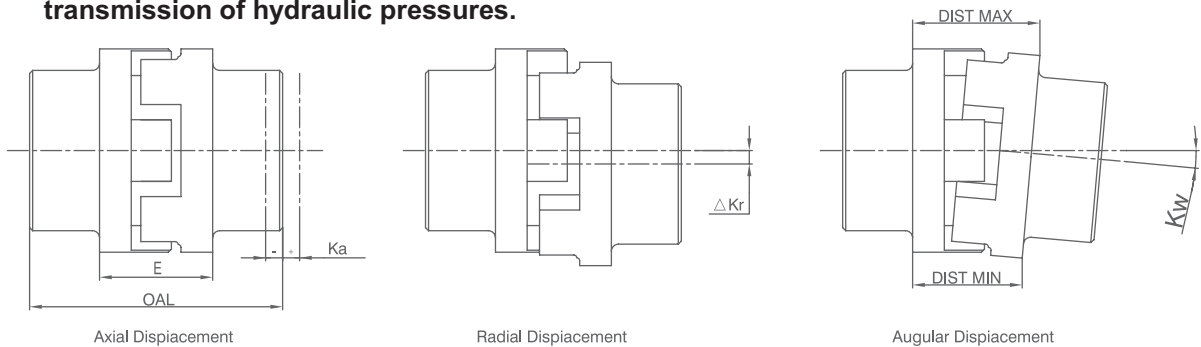
GEL-24	AL	140	Red	1a	—	1a	—
Coupling size	Material	Dismountable length	Spider	Hub design	Pilot bore	Hub design	Pilot bore

Note: Authlitlms are in pilot bore, Finished bore can be provided according to customers' requirement

Direction for Installing GE Couplings

In normal working temperatures for the elastic body is -40 degrees to 110 degrees. Allowable instant temperature should not exceed 120 degrees. They are resistant to wear, oil and age. Their excellent internal buffer capacity can protect transmitting processes against dynamic overload. Yellow club shape elastic body applies to general mechanical transmissions and the transmission of hydraulic pressures.

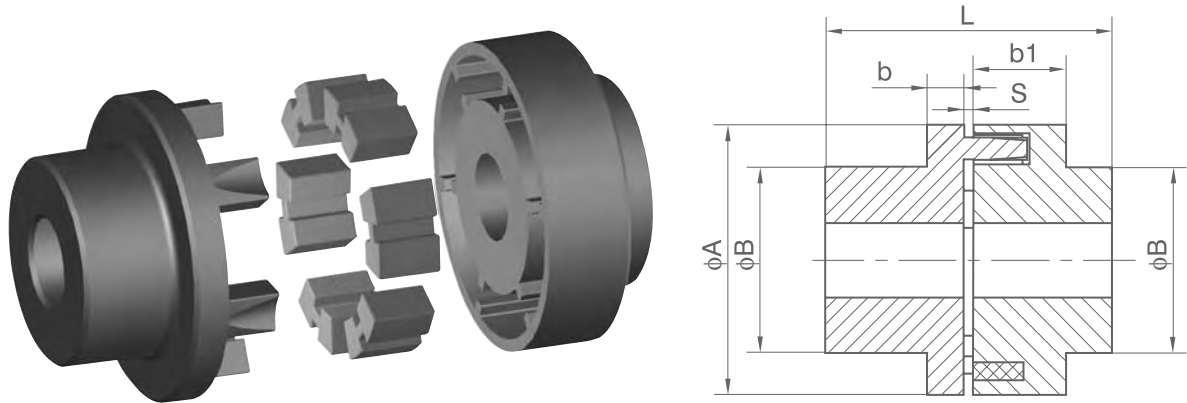
Their dynamic characteristics are distinctive. Red club shape elastic body applies to heavy load transmission which are resistant to vibration, absorption and amortization. During an axial insert type installation, dimension E must be guaranteed. Installation errors should be kept to a minimum to help increase the life of the elastic body.



Coupling Size	GE-14	GE-19	GE-24	GE-28	GE-38	GE-42	GE-48	GE-55	GE-65	GE-75	GE-90	GE-100	GE-110	GE-125	GE-140	GE-160	GE-180
Max. Axial Displacement. (Ka)	-0.5	-0.5	-0.5	-0.7	-0.7	-1.0	-1.0	-1.0	-1.0	-1.5	-1.5	-1.5	-2.0	-2.0	-2.0	-2.5	-3.0
Max. Radial Displacement. (Kr)	+1.0	+1.2	+1.4	+1.5	+1.8	+2.0	+2.1	+2.2	+2.6	+3.0	+3.4	+3.8	+4.6	+4.6	+5.0	+5.7	+6.4
Max. Angular Displacement. (Kw)	1.2°	1.2°	0.9°	0.9°	1°	1°	1.1°	1.1°	1.2°	1.2°	1.2°	1.2°	1.3°	1.3°	1.2°	1.2°	1.2°
Wind-UP Angle	Nominal	6.4°															
	Max	10°															



HTKL-Coupling



HTKL-COUPLING

material:GG25

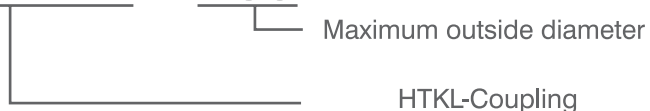
Catalog	A	B	L	b	b1	S	Bore		Max Torque (Nm)	Max Revolution (rpm)	Moment of inertia (kg.cm ²)	G (kg)
							Pilot	Max				
HTKL-58	58	40	56	8	20	2	6	14	18	5000	3	1.00
HTKL-70	70	48	62	8	20	2	8	20	31.5	5000	6	1.65
HTKL-82	82	60	78	10	21	2	10	28	63	5000	17	3.22
HTKL-95	95	70	78	12	24	2	12	38	100	5000	41	5.15
HTKL-110	110	80	86	14	27	2	14	42	160	5000	80	7.39
HTKL-125	125	92	99	17	31	3	15	48	250	4500	140	10.85
HTKL-140	140	100	113	20	34	3	20	55	355	4000	200	12.97
HTKL-160	160	110	133	20	39	3	22	65	560	3500	330	20.15
HTKL-180	180	125	154	20	42	4	30	75	900	3100	610	26.12
HTKL-200	200	140	174	22	47	4	35	85	1400	2800	1300	38.90
HTKL-225	225	150	184	22	52	4	40	90	2000	2500	1900	43.13
HTKL-250	250	165	205	22	60	5	50	100	2800	2200	3300	57.55
HTKL-280	280	180	225	24	65	5	60	110	4000	2000	5200	80.33

Conceptual diagram for installing error

Catalog	Parallel Misalignment	Auglular Misalignment	Shaft End-play
HTKL-58~95	0.8	1.5°	2
HTKL-110~225	1	1.5°	4
HTKL-250~280	1.5	1°	5

Expressing method:

HTKL - 160



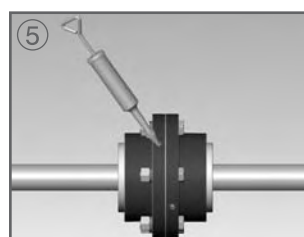
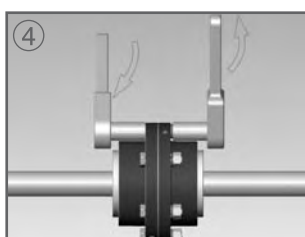
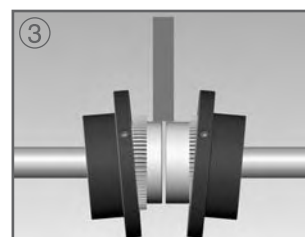
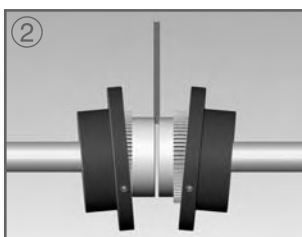
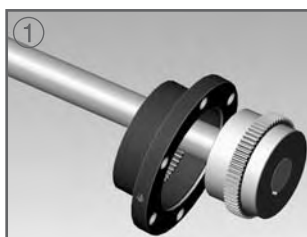
Notice: To maintain "H" elastomer for a long time, make installing error to the least

GRL-Coupling

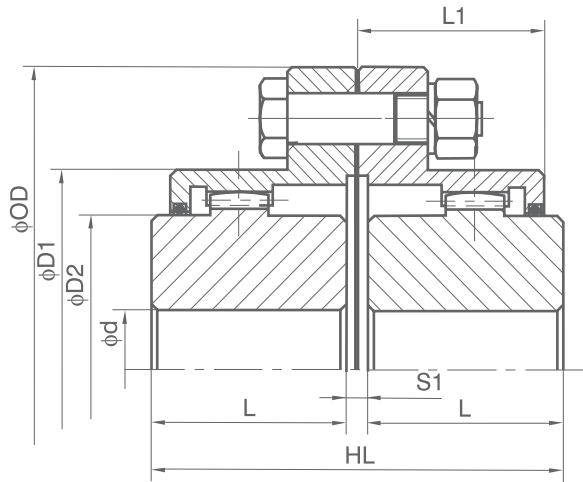
Instruction for installation



1. Clean all the parts. Grease the crowned gear teeth and O-Ring. Put o-Ring on to the shafts.
2. Place the flanged sleeves on the shafts, and mount the hubs.
3. Using a spacer bar, mark a gap between the hubs equal to the normal gap specified in this book.
4. Align the shaft with a straight bar, checking every 90 degree, Make sure not exceeding the offset limit with a dial gage.
5. Insert gasket between the flanged sleeves, and fasten the bolts positioning the lube holes at max degree.
6. Fill up the grease until overflowing at the opened opposite hole.



GRL-Coupling



Special designation with teeth Connection. Due to a larger area receiving force, its life is much longer.

Torque can be transmitted best per unit area and with a characteristic of anti-bedding, steel alloy is used with the property of anti-corrosion and anti-high temperature.

Special notice: Dynamic balancing should be done to degree Q6.3 when rotational speed reaches 1/2 of its limit.

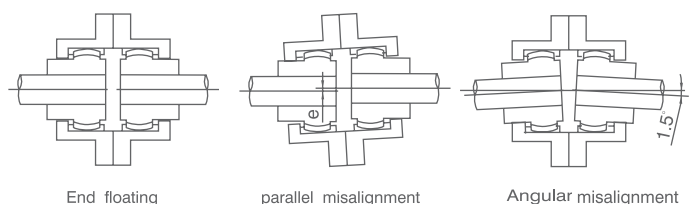
GRL-COUPLING

Catalog	Fundamental dimensions							Bore		Mt	Parallel offset capacity	End float capacity	Max Torque (Nm)	Max Revolution n(rpm)	Moment of inertia (kg.cm ²)	G (kg)
	OD	D1	D2	HL	L	L1	S1	Pilot	Max							
GRL-78	117	78	58	89	43	42	3	14	40	50	1.3	2	850	6000	51	3.2
GRL-100	152	100	80	103	50	48	3	19	55	59	1.5	2	1700	5500	188	6.7
GRL-125	178	125	98	127	62	60	3	25	70	79	2.1	3	3250	5000	397	10.5
GRL-150	213	150	118	157	76	69	5	35	85	93	2.4	4	6000	4400	947	17.3
GRL-175	240	175	140	185	90	82	5	45	100	109	2.9	4	10000	4000	1773	26.2
GRL-200	280	200	165	216	105	98	6	55	120	128	3.4	5	16000	3500	4014	42.2
GRL-235	318	235	188	246	120	107	6	65	140	144	3.8	6	23600	3000	6970	57.0
GRL-265	347	265	212	278	135	120	8	80	160	164	4.3	6	32500	2700	11207	76.0
GRL-295	390	295	236	308	150	131	8	90	180	182	4.8	7	47500	2500	20869	109.8
GRL-325	425	325	264	358	175	151	8	100	200	214	5.6	8	67000	2200	32112	144.5
GRL-355	460	355	290	388	190	170	8	120	220	236	6.2	9	90000	2100	49360	189.3
GRL-400	530	400	333	450	220	195	10	150	250	263	6.9	10	125000	2000	91287	273.3

Max torque of GRL 78-GRL295 and their max. parallel tolerance should be based on $\alpha=1/2^\circ$ and max bore diameter. Max torque of GRL325-GRL400 and their max. parallel tolerance should be based on $\alpha=3/4^\circ$ and max bore diameter.

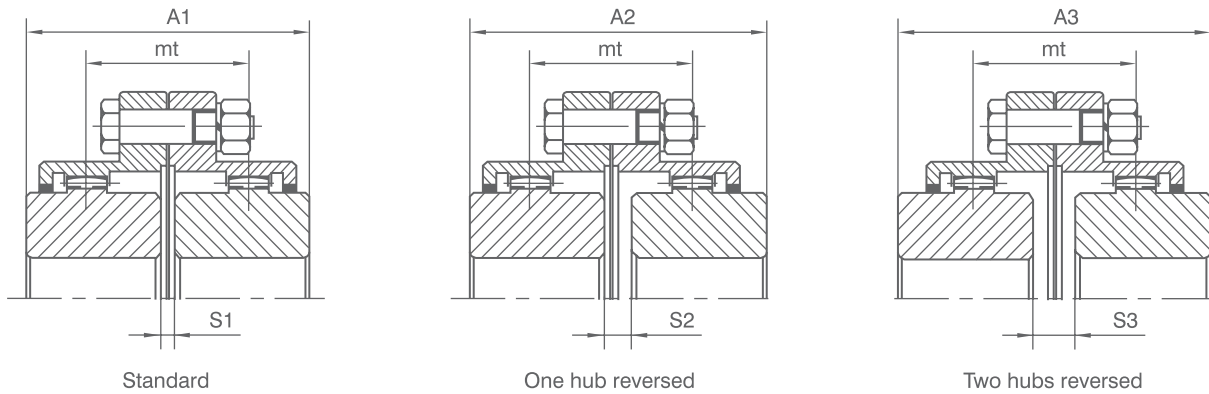
GRL-200

Maximum outside diameter
GRL-Coupling



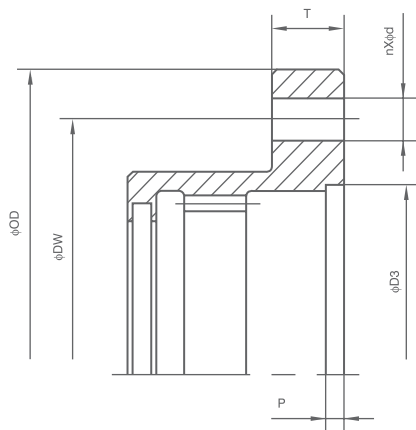
GRL-Coupling

Installation for GRL-coupling



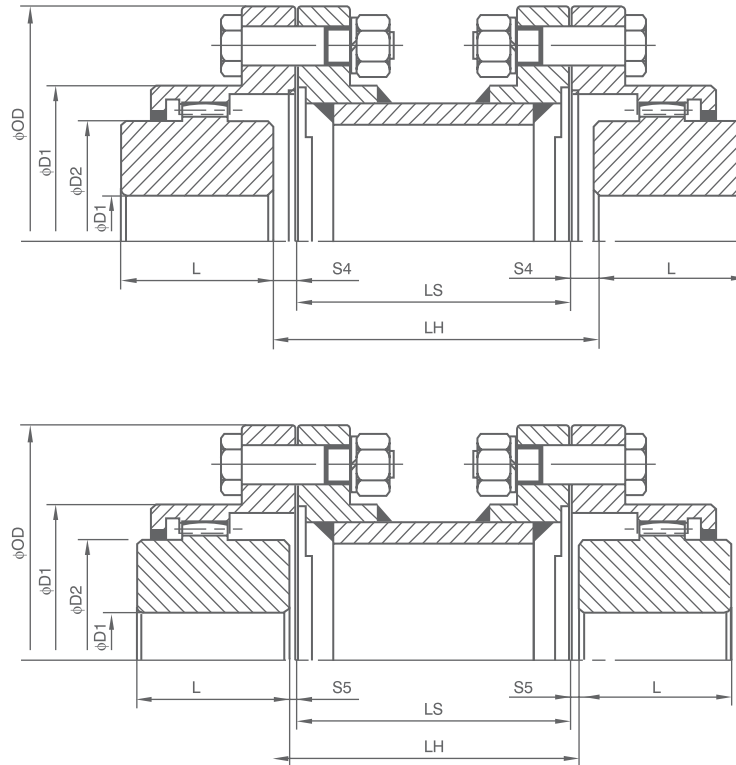
Catalog	Mt	A1	A2	A3	S1	S2	S3
GRL-78	50	89	93	97	3	7	11
GRL-100	59	103	109	115	3	9	15
GRL-125	79	127	141	155	5	17	31
GRL-150	93	157	169	181	5	17	29
GRL-175	109	185	199	213	5	19	33
GRL-200	128	216	233	250	6	23	40
GRL-235	144	246	264	282	6	24	42
GRL-265	164	278	299	320	8	29	50
GRL-295	182	308	332	356	8	32	56
GRL-325	214	358	389	420	8	39	70
GRL-355	236	388	426	464	8	46	84
GRL-400	263	450	483	516	10	43	76

Dimensions for the flange with teeth



Catalog	OD	DW	D3	P	T	n	d
GRL-78	117	96	73	3.5	14	6	9
GRL-100	152	122	94	3.5	19	8	11
GRL-125	178	150	115	3.5	19	6	13
GRL-150	213	184	144	3.5	22	6	17
GRL-175	240	208	168	3.5	22	8	17
GRL-200	280	242	190	3.5	29	8	21
GRL-235	318	280	222	3.5	29	8	21
GRL-265	347	305	250	4	29	10	21
GRL-295	390	345	280	4	38	10	21
GRL-325	425	368	310	4	38	14	21
GRL-355	460	406	346	6	38	14	25
GRL-400	530	460	376	8	40	16	25

GSL-Coupling



GSL-COUPLING

Catalog	Fundamental dimensions						Bore		Ls (min)	parallel offset capacity	end float capacity	max torque (Nm)	max Revolution (rpm)	moment of inertia (kg.cm ²)	G (kg)
	OD	D1	D2	L	S4	S5	min	max							
GSL-78	117	78	58	43	5.5	1.5	14	40	75	3.3	2	850	6000	93	6.7
GSL-100	152	100	80	50	7.5	1.5	19	55	85	3.8	2	1700	5500	348	14.5
GSL-125	178	125	98	62	15.5	1.5	25	70	95	4.6	3	3250	5000	682	22.0
GSL-150	213	150	118	76	14.5	2.5	35	85	100	5.1	4	6000	4400	1657	36.8
GSL-175	240	175	140	90	16.5	2.5	45	100	110	5.7	4	10000	4000	2876	52.3
GSL-200	280	200	165	105	20	3	55	120	125	6.6	5	16000	3500	6767	88.2
GSL-235	318	235	188	120	21	3	65	140	125	7	6	23600	3000	11164	116.4
GSL-265	347	265	212	135	25	4	80	160	125	7.6	6	33500	2700	17106	152.9
GSL-295	390	295	236	150	28	4	90	180	145	8.5	7	47500	2500	32719	220.2
GSL-325	425	325	264	175	35	4	100	200	145	9.4	8	67000	2200	49059	288.4
GSL-355	460	355	290	190	42	4	120	220	145	10	9	90000	2100	73628	367.0
GSL-400	530	400	333	220	38	5	150	250	145	10.7	10	125000	2000	138408	518.0

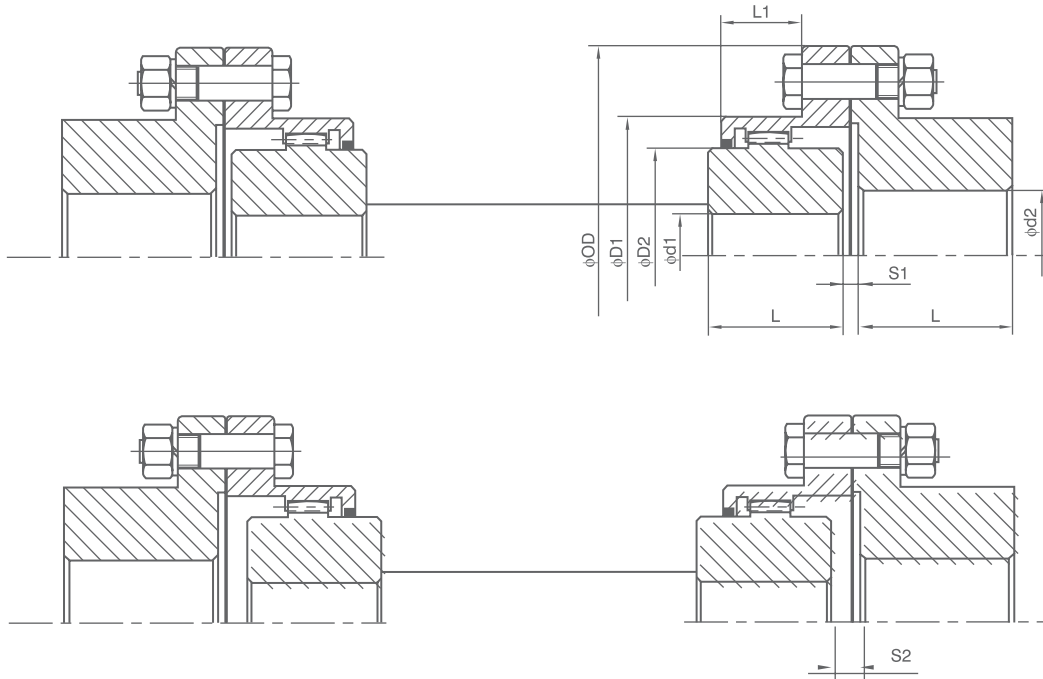
On assembly, keyways must be sealed off to prevent lubricant discharge.

1.5 Max angular misalignment per half coupling

keyway dimensions conform to DIN6885, JIS B 1310-1976, UNI 6604-1969,

GB 1095-1979 standards

GWL-Coupling



GWL-COUPLING

Catalog	Fundamental dimensions						Bore				max torque (Nm)	max Revolution (rpm)	moment of inertia (kg.cm ²)	G (kg)
	OD	D1	D2	L	S1	S2	d1		d2					
							min	max	min	max				
GWL-78	117	78	58	43	3	7	14	40	14	55	850	6000	51	4.2
GWL-100	152	100	80	50	3	9	19	55	19	70	1700	5500	190	8.7
GWL-125	178	125	98	62	3	17	25	55	25	70	3250	5000	419	14.5
GWL-150	213	150	118	76	5	17	35	85	35	110	6000	4400	950	24
GWL-175	240	175	140	90	5	19	45	100	45	125	10000	4000	1767	36
GWL-200	280	200	165	105	6	23	55	120	55	140	16000	3500	4040	58.5
GWL-235	318	235	188	120	6	24	65	140	65	170	23600	3000	7057	82.6
GWL-265	347	265	212	135	8	29	80	160	80	190	33500	2700	11303	111.4
GWL-295	390	295	236	150	8	32	90	180	90	210	47500	2500	20950	157.7
GWL-325	425	325	264	175	8	39	100	200	100	230	67000	2200	32507	213
GWL-355	460	355	290	190	8	46	120	220	120	250	90000	2100	49729	274.5
GWL-400	530	400	333	220	10	43	150	250	150	290	125000	2000	91226	389

On assembly, keyways must be sealed off to prevent lubricant discharge.

1.5 Max angular misalignment per half coupling

keyway dimensions conform to DIN6885, JIS B 1310-1976, UNI 6604-1969,

GB 1095-1979 standards

Coupling

Table of working condition coefficient

Prime mover		Working machine					
		I	II	III	IV	V	VI
Motor, steam turbine		1.3	1.5	1.7	1.9	2.3	3.1
Explosion engine	Four cylinders and above	1.5	1.7	1.9	2.1	2.5	3.3
	Two cylinders	1.8	2.0	2.2	2.4	2.8	3.6
	Single cylinder	2.2	2.4	2.6	2.8	3.2	4.0

Note: Classifications of Working Machines

- I. Torque is changing slightly. For example, motor generator, small type of ventilators, and small types of centrifugals.
- II. Torque changing slightly. For example, turbo compressors, wood lathe and conveyors.
- III. Torque change normal. For example, mixer, boost pump, flywheel, and reciprocation compressor.
- IV. Normal torque change and normal impact load. For example: weaving machines and cement mixers.
- V. Large torque change and heavy impact load. For example, printing machines, crane, and stone crushers.
- VI. Torque change largely with serious impact loads. For example, rolling mills, and heavy types of cogging mills.

