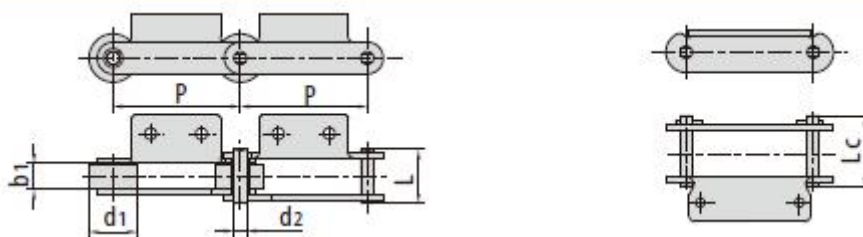


Chain No.	p	L <sub>1</sub>	G	F	W	h <sub>4</sub>	h <sub>2</sub>	d <sub>4</sub>	t	d <sub>5</sub>
	mm	mm	mm	mm	mm	mm	mm	mm	mm	mm
P 150F 121A 2	150.00	60.00	90.00	100.00	130.00	28.00	38.10	12.00	6.00	-
P 150F 137A 2	150.00	50.00	78.50	109.00	136.00	49.00	45.00	12.30	6.00	74.00
P 150F 144A 2	150.00	65.00	110.00	160.00	200.00	60.00	65.00	17.00	10.00	99.00
P 152F	152.40	60.00	100.00	130.00	202.00	45.00	50.00	15.00	9.00	-
P 152F 4	152.40	60.00	100.00	110.00	140.00	32.00	38.00	15.00	6.00	65.00
P 152F 11	152.40	44.60	74.80	133.70	168.00	24.00	39.00	10.80	9.60/11.40	-
P 152F 16	152.40	63.50	178.50	184.15	241.15	47.65	63.50	20.70	12.70	-
P 152F 19	152.40	60.00	100.00	110.00	140.00	32.00	38.00	15.00	6.00	65.00
P 152F 20	152.40	△	76.20	120.65	172.30	41.30	50.80	17.50	9.50	-
P 152F 32K 2	152.40	60.00	110.00	135.00	171.00	40.00	52.00	14.00	10.00	-
P 152F 33	152.40	60.00	110.00	158.00	194.00	40.00	52.00	14.00	10.00	-
P 152F 41A 2	152.40	60.00	90.00	120.00	160.00	35.50	50.00	14.00	8.00	-
P 152F 42K 2F 1	152.40	66.80	140.00	108.20	148.20	41.40	50.80	12.70	9.50	-
P 152F 43	152.40	76.20	108.00	111.10	155.60	44.45	60.30	12.70	11.10	-
P 152F 50	152.40	63.50	102.00	101.60	135.00	37.50	65.00	13.50	6.00	-
P 152F 54	152.40	45.00	74.00	135.00	165.00	25.40	39.00	11.00	10.00	-
P 152F 56	152.40	50.80	76.20	101.60	133.40	28.60	38.10	11.10	8.00	-
RF 6205M F 6A 2	152.40	60.00	100.00	120.00	158.00	38.00	45.00	15.00	8.00	85.00
P 152F 78K 2F 1	152.40	76.20	114.30	111.00	165.00	41.30	57.20	13.00	9.52	-
P 152F 107A 2	152.40	50.80	88.90	101.60	132.80	31.75	38.10	M 12	6.35	-
P 152F 111K 2	152.40	76.20	114.30	111.10	153.90	41.30	57.20	13.50	12.70	-
P 152F 117K 2	152.40	60.00	100.00	120.00	160.00	38.00	50.00	14.00	8.00	-
P 152F 128K 2	152.40	63.50	175.50	184.00	238.20	47.75	63.50	17.50	12.70	-
P 152F 137A 2	152.40	50.80	76.20	102.40	137.00	32.00	32.00	10.50	7.00	-
RF 6205M F 7	152.40	60.00	100.00	120.00	158.00	34.50	45.00	14.80	8.00	85.00
P 152F 144K 2	152.40	60.00	100.00	130.00	165.00	44.45	50.80	15.00	9.52	-
P 152F 168A 2	152.40	60.00	100.00	120.00	162.00	38.00	45.00	15.00	8.00	-
P 152F 176K 2	152.40	60.00	100.00	120.00	160.00	38.00	50.00	14.00	8.00	-
P 152F 180	152.40	60.00	100.00	130.00	202.00	45.00	50.00	15.00	9.00	-
P 152F 206K 2	152.40	60.00	100.00	110.00	150.00	44.00	52.00	13.00	10.00	-
P 152F 208K 2	152.40	60.00	100.00	120.00	158.00	38.00	44.50	15.00	7.90	-
P 152F 213K 2	152.40	60.00	90.00	120.00	160.00	35.50	50.00	14.00	8.00	-
P 152F 227K 2	152.40	60.00	100.00	110.00	140.00	44.00	52.00	13.00	10.00	-
P 152F 247K 2	152.40	63.50	108.00	184.20	241.00	47.60	63.50	18.00	12.70	-

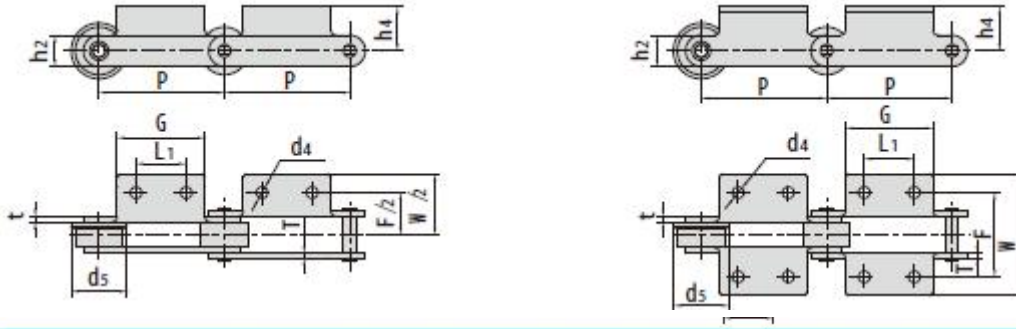
△附板带一个孔  
△Attachments with 1 hole



Chain No.	节距 Pitch	滚子直径 Roller diameter	内节内宽 Width between inner plates	销轴直径 Pin diameter	销轴长度 Pin length		抗拉强度 Tensile strength	平均抗拉强度 Average tensile strength	每米长重 Weight per meter
	p mm	d <sub>1 max</sub> mm	b <sub>1 min</sub> mm	d <sub>2 max</sub> mm	L <sub>max</sub> mm	L <sub>c max</sub> mm	Q <sub>min</sub> kN/bf	Q <sub>0</sub> kN	q kg/m
P 152F252A 2	152.40	69.90	37.10	19.050	-	98.50	230.0/51704	253.00	18.70
P 153F3K 2	153.60	35.00	54.10	17.500	-	106.00	200.0/44961	220.00	14.02
*P 160F 1	160.00	36.00	55.00	20.000	108.00	-	50.0/11364	55.00	14.50
P 160F 3	160.00	48.00	25.00	14.850	62.50	-	120.0/26977	132.00	7.10
P 160F 5	160.00	60.00	33.00	14.270	64.00	72.00	150.0/34091	165.00	8.00
P 160F 8	160.00	40.00	20.00	11.000	50.00	-	55.0/12500	61.00	4.58
P 160F 18	160.00	50.00	34.00	20.000	-	88.00	100.0/22496	109.50	14.93
P 180F 25	160.00	70.00	25.00	14.250	55.50	60.50	100.0/22496	109.50	7.65
P 160F 26	160.00	50.00	29.90	13.940	-	60.00	105.0/23620	115.50	6.41
*P 160F 37A 2	160.00	45.00	56.00	28.000	-	150.00	600.0/134885	660.00	31.24
P 160F 53K 2	160.00	36.00	36.00	18.000	71.00	76.00	160.0/35790	176.00	-
*P 160F 64K 2	160.00	38.00	55.00	20.000	-	108.00	50.0/11240	55.00	55.00
*P 160F 79A 2	160.00	40.00	44.60	26.000	-	102.00	380.0/85432	418.00	55.00
P 175F 5A 2	175.00	50.00	30.00	14.300	-	67.00	135.0/30348	148.50	7.20
P 185	185.00	50.80	30.60	14.270	62.80	67.50	70.0/15909	77.00	8.42
P 200F 6	200.00	50.00	37.00	16.000	77.50	82.50	170.0/38243	188.70	9.69
P 200F 7	200.00	40.00	27.00	11.100	57.00	61.00	124.6/28030	137.00	9.78
P 200F 8	200.00	65.00	37.00	16.000	86.50	-	170.0/38243	188.70	15.23
P 200F 13	200.00	80.00	51.00	20.000	106.00	-	180.0/40492	198.00	26.10
P 200F 15	200.00	40.10	51.40	19.100	109.50	-	213.0/47916	234.30	12.60
P 200F 23	200.00	65.00	36.50	16.000	-	86.50	170.0/38243	188.70	11.57
P 200F 22	200.00	90.00	48.00	16.000	-	99.00	170.0/38243	188.70	19.60
P 200F 26A 2	200.00	50.00	37.00	16.000	85.50	90.50	170.0/39243	188.70	11.08
P 200F 28K 2F 1	200.00	65.00	37.10	16.000	77.50	85.50	160.0/35969	176.00	18.80
P 200F 30	200.00	65.00	38.00	18.000	-	79.50	120.0/26977	130.80	10.80
R F 12200A 2-F-200	200.00	65.00	37.10	15.900	-	86.50	279.0/62763	306.90	14.20
P 200F 82A 2-F	200.00	65.00	51.00	16.000	-	100.00	170.0/38243	195.00	14.60
P 200F 118A 2	200.00	50.00	29.60	14.300	-	67.80	135.0/30349	148.50	-
P 200F 121A 2	200.00	65.00	37.10	15.900	-	86.50	200.0/44962	220.00	-
P 200F 122A 2-F	200.00	70.00	37.00	22.000	-	106.00	480.0/107908	528.00	-
P 200F 123A 2-F	200.00	65.00	37.10	15.900	-	86.50	250.0/56202	275.00	-
P 200F 124A 2-F	200.00	70.00	37.10	15.900	-	86.50	160.0/35970	176.00	-
P 200F 126A 2-F	200.00	70.00	37.10	18.000	-	86.50	279.0/62722	306.90	-
P 200F 133A 2	200.00	80.00	51.40	19.050	-	109.50	2230./50132	245.00	-

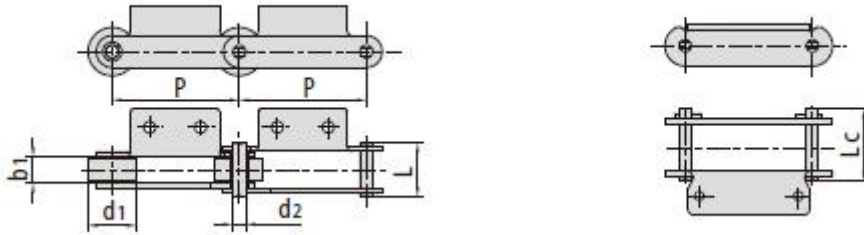
\*套筒链：表中滚子直径d<sub>1</sub>为套筒直径

\*Bush chain: d<sub>1</sub> in the table indicates the external diameter of the bush.



Chain No.	P	L <sub>1</sub>	G	F	W	h <sub>4</sub>	h <sub>2</sub>	d <sub>4</sub>	t/T	ds
	mm	mm	mm	mm	mm	mm	mm	mm	mm	mm
P 152F252A2	152.40	37.00	83.00	130.00	166.00	40.00	50.00	15.00	9.00	-
P 153F3K 2	153.60	44.50	204.80	136.60	168.60	38.10	44.50	12.70	8.00	-
P 160F 1	160.00	60.00	110.00	130.00	173.00	40.00	50.00	14.00	9.00	-
P 160F 3	160.00	49.00	70.00	83.00	117.00	32.50	35.00	8.50	6.00	-
P 160F 5	160.00	35.00	70.00	110.00	166.00	38.70	40.00	14.00	5.60	-
P 160F 8	160.00	80.50	133.00	56.00	100.00	16.00	32.00	8.33×13.30	4.50	-
P 160F 18	160.00	60.00	110.00	110.00	153.00	40.00	50.00	15.00	9.00	-
P 180F 25	160.00	△	120.00	70.00	89.00	27.50	36.00	10.00	5.60	-
P 160F 26	160.00	30.00	50.00	94.00	124.00	35.00	40.00	10.00	4.00	65.00
P 160F 37A 2	160.00	100.00	145.00	160.00	210.00	62.00	80.00	18.00	12.00	-
P 16053K 2	160.00	100.00	130.00	110.00	142.00	41.00	50.00	14.00	7.0/6.0	-
P 160F 64K 2	160.00	60.00	110.00	130.00	173.00	40.00	55.00	14.00	9.00	-
P 160F 79A 2	160.00	46.60	80.00	147.00	192.00	61.50	63.00	14.00	10.00	-
P 175F 5A 2	175.00	80.00	120.00	100.00	130.00	28.00	38.10	12.00	6.00	-
P 185	185.00	60.00	120.00	110.00	140.00	32.00	38.00	15.00	6.00	65.00
P 200F 6	200.00	81.50	120.00	120.00	150.00	33.00	43.00	14.00	8.00	-
P 200F 7	200.00	81.50	120.00	92.00	122.00	22.00	32.00	10.00	6.00	-
P 200F 8	200.00	80.00	120.00	200.00	238.00	38.00	43.00	15.00	8.00	80.00
P 200F 13	200.00	110.00	150.00	152.00	204.00	43.00	50.00	13.00	9.00	-
P 200F 15	200.00	80.00	120.00	150.00	200.00	43.00	50.80	15.00	9.50	-
P 200F 23	200.00	80.00	120.00	120.00	170.00	38.00	43.00	15.00	8.00	-
P 200F 22	200.00	80.00	120.00	212.00	250.00	38.00	43.00	15.00	8.00	100.00
P 200F 26A 2	200.00	81.50	120.00	120.00	154.00	33.00	43.00	14.00	10.00	-
P 200F 28K 2F 1	200.00	80.00	120.00	120.00	158.00	75.00	44.50	12.00	8.00	-
P 200F 30	200.00	65.00	100.00	119.00	159.00	30.00	50.00	12.5/18.5	6.00	-
RF 12200A 2-F-200	200.00	80.00	120.00	120.00	158.00	38.00	44.50	15.00	7.90	80.00
P 200F 82A 2-F	200.00	60.00	100.00	116.00	146.00	42.00	43.00	15.00	8.00	80.00
P 200F 118A 2	200.00	80.00	120.00	100.00	130.00	28.00	38.10	12.00	6.00	-
P 200F 121A 2	200.00	80.00	120.00	120.00	158.00	38.00	44.50	15.00	7.90	-
P 200F 122A 2-F	200.00	80.00	120.00	128.00	176.00	43.75	55.00	13.00	12.70	85.00
P 200F 123A 2-F	200.00	80.00	120.00	120.00	158.00	38.00	44.50	15.00	7.90	80.00
P 200F 124A 2-F	200.00	80.00	120.00	120.00	158.00	38.00	44.50	13.00	7.90	85.00
P 200F 126A 2-F	200.00	80.00	120.00	120.00	158.00	38.00	44.50	13.00	7.90	85.00
P 200F 133A 2	200.00	80.00	120.00	150.00	200.00	45.00	50.80	15.00	9.50	100.00

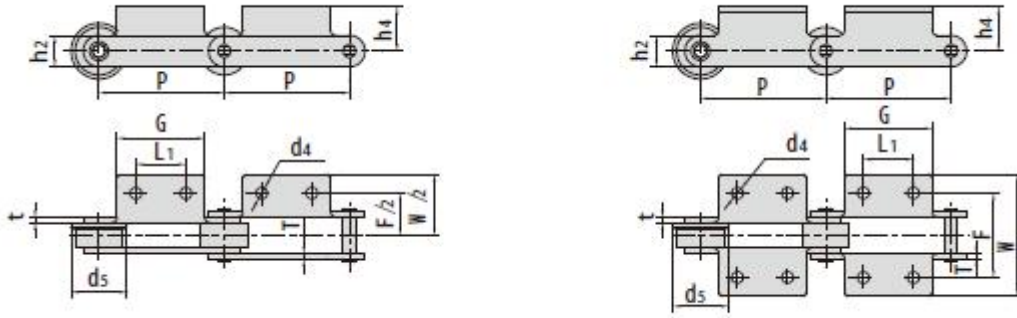
△附板带一个孔  
 △A ttachm ents w ith 1 hole



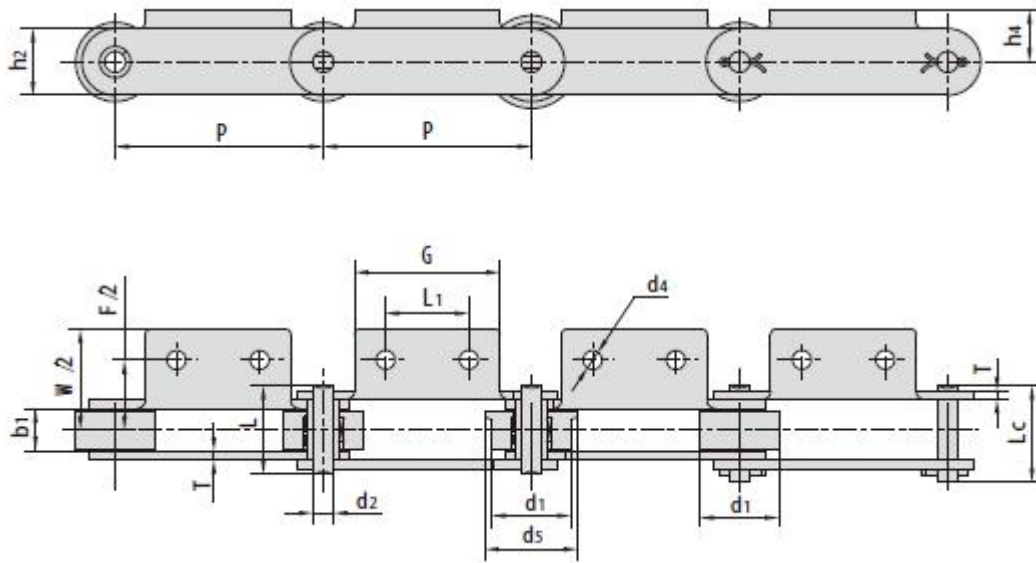
Chain No.	节距 Pitch	滚子直径 Roller diameter	内节内宽 Width between inner plates	销轴直径 Pin diameter	销轴长度 Pin length		抗拉强度 Tensile strength	平均抗拉强度 Average tensile strength	每米长重 Weight per meter
	p mm	d <sub>1 max</sub> mm	b <sub>1 min</sub> mm	d <sub>2 max</sub> mm	L <sub>max</sub> mm	L <sub>c max</sub> mm	Q <sub>min</sub> kN/bf	Q <sub>o</sub> kN	q kg/m
P 200F139A 2-F	200.00	65.00	39.00	16.000	-	95.00	200.0/44962	220.00	-
P 200F142A 2-F	200.00	70.00	37.00	22.000	-	106.00	480.0/107908	528.00	-
P 200F147A 2-F	200.00	70.00	37.10	18.000	-	86.50	279.0/62722	306.90	-
P 203.2F6	203.20	88.90	45.97	25.400	-	116.30	489.0/110005	528.10	37.00
P 203.2F10	203.20	88.90	45.97	25.400	-	116.30	488.0/109706	536.00	37.00
P 203.2F16K 2	203.20	101.40	46.10	25.400	-	122.00	680.0/152864	748.00	42.19
P 220F4A 3	220.00	50.00	30.00	14.500	-	58.00	135.0/30348	148.50	6.40
P 228.6F28K 2	228.60	101.60	57.15	22.230	-	118.30	231.0/51929	254.00	34.40
R F10250R A 2	250.00	50.80	30.00	14.500	69.00	-	113.0/25420	124.30	6.47
P 250F25	250.00	50.00	30.00	14.000	-	81.30	170.0/38243	188.70	8.40
*P 250F38K 2	250.00	50.80	65.00	38.000	-	143.50	700.0/157366	770.00	39.10
P 250F68A 2	250.00	50.00	30.60	14.000	-	70.60	112.0/25178	128.00	7.60
P 250F106A 2	250.00	80.00	51.40	19.100	-	109.50	351.9/79107	387.10	17.30
P 250F129K 2	250.00	45.00	52.00	20.000	-	112.00	250.0/56200	275.00	17.50
P 250F142A 2	250.00	50.00	30.00	14.300	-	67.00	135.0/30348	148.50	6.20
P 250F157A 3	250.00	55.00	32.00	16.000	-	79.00	160.0/35968	176.00	9.40
P 250F170A 2	250.00	50.00	30.00	14.300	-	67.00	135.0/30348	148.50	6.00
P 250F176A 2	250.00	65.00	40.00	18.000	-	89.00	250.0/56200	275.00	12.80
P 250F191A 2	250.00	80.00	60.00	34.000	-	164.00	1100.0/247280	1210.00	42.20
P 250F193A 2	250.00	65.00	35.00	16.000	-	83.00	268.0/60246	294.80	13.13
P 250F200A 2	250.00	65.00	37.10	15.900	-	83.50	186.0/41813	204.60	13.80
P 300F41A 2	300.00	50.00	30.00	14.300	-	67.00	135.0/30348	148.50	5.73

\*套筒链：表中滚子直径d<sub>1</sub>为套筒直径

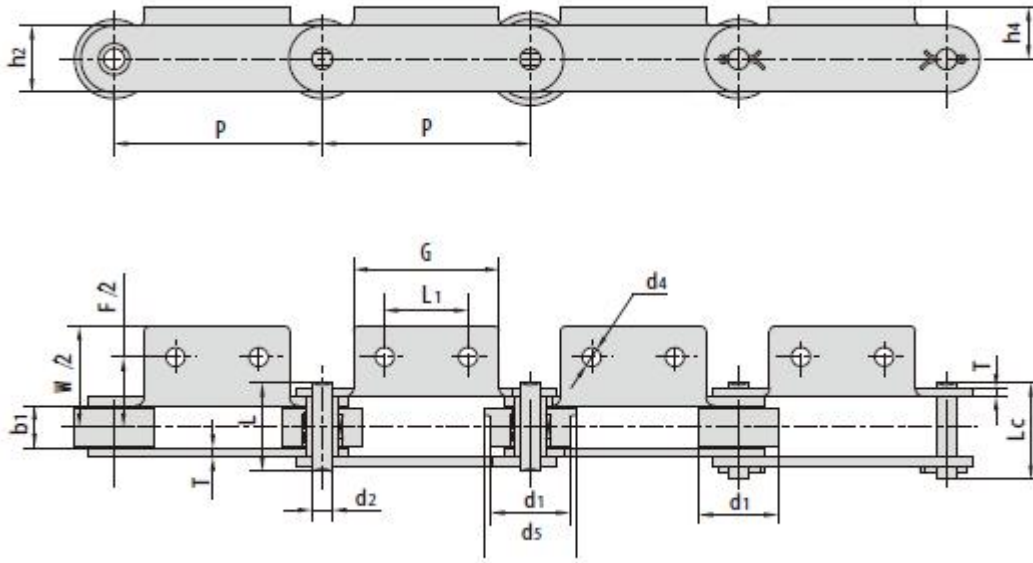
\*Bush chain: d<sub>1</sub> in the table indicates the external diameter of the bush.



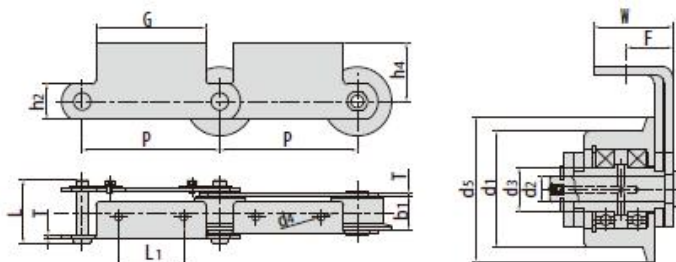
Chain No.	P	L <sub>1</sub>	G	F	W	h <sub>4</sub>	h <sub>2</sub>	d <sub>4</sub>	t <sub>T</sub>	d <sub>s</sub>
	mm	mm	mm	mm	mm	mm	mm	mm	mm	mm
P 200F 139A 2-F	200.00	80.00	120.00	118.00	163.00	35.00	45.00	15.00	7.50	80.00
P 200F 142A 2-F	200.00	80.00	120.00	164.00	176.00	43.75	55.00	13.00	12.70	85.00
P 200F 147A 2-F	200.00	80.00	120.00	120.00	158.00	38.00	44.50	13.00	7.90	85.00
P 203.2F 6	203.20	114.30	152.40	131.83	192.00	54.10	69.80	17.50	12.70	-
P 203.2F 10	203.20	82.55	152.40	131.83	192.00	54.10	69.80	17.50	12.70	-
P 203.2F 16K 2	203.20	82.50	134.00	133.30	198.00	55.90	76.20	17.00	12.70	-
P 220F 4A 3	220.00	60.00	90.00	100.00	136.00	28.00	38.00	12.00	6.00	-
P 228.6F 28K 2	228.60	88.90	130.00	152.40	198.00	73.00	63.50	13.50	9.50	-
R F 10250R A 2	250.00	80.00	120.00	100.00	130.00	28.00	38.10	12.00	6.30	-
P 250F 25	250.00	60.00	93.00	108.00	143.60	30.00	38.00	10.00	8.00	-
P 250F 38K 2	250.00	75.00	120.00	192.00	232.00	68.00	100.00	18.50	12.00	-
P 250F 68A 2	250.00	125.00	160.00	100.00	132.00	28.00	38.00	12.00	6.00	65.00
P 250F 106A 2	250.00	125.00	170.00	150.00	200.00	45.00	50.80	15.00	9.50	-
P 250F 129K 2	250.00	125.00	170.00	140.00	180.00	60.00	75.00	14.00	8.00	-
P 250F 142A 2	250.00	60.00	94.00	100.00	129.00	39.00	38.00	12.00	6.00	-
P 250F 157A 3	250.00	100.00	140.00	100.00	140.00	38.00	45.00	M 12	8.00	-
P 250F 170A 2	250.00	80.00	120.00	100.00	130.00	28.00	38.00	12.00	6.00	-
P 250F 176A 2	250.00	80.00	120.00	120.00	150.00	37.00	55.00	12.00	8.00	-
P 250F 191A 2	250.00	147.00	350.00	269.60	349.60	60.00	90.00	22.00	15.00	-
P 250F 193A 2	250.00	125.00	160.00	118.00	162.00	37.50	45.00	15.00	8.00	80.00
P 250F 200A 2	250.00	125.00	170.00	120.00	158.00	38.00	45.00	15.00	8.00	85.00
P 300F 41A 2	300.00	60.00	94.00	100.00	129.00	39.00	38.10	12.00	6.00	-



Chain No.	节距 Pitch	滚子直径 Roller diameter	内节内宽 Width between inner plates	销轴直径 Pin diameter	销轴长度 Pin length		抗拉强度 Tensile strength	平均抗拉强度 Average tensile strength	每米长重 Weight per meter
	p	d <sub>2 max</sub>	b <sub>1 min</sub>	d <sub>2 max</sub>	L <sub>max</sub>	L <sub>c max</sub>	Q <sub>min</sub>	Q <sub>0</sub>	q
	mm	mm	mm	mm	mm	mm	kN/bf	kN	kg/m
M 56F4-P-100	100.0	38.0	20.5	10.00	42.3	46.1	56.0/12727	62.0	4.30
M 56F7-P-100	100.0	38.0	17.0	10.00	38.8	42.6	56.0/12727	62.0	4.84
M 56F9-P-100	100.0	38.0	20.5	10.00	46.3	50.1	88.2/20045	97.0	5.60
M 56F24A2-F-100	100.0	50.0	20.5	10.00	46.3	50.1	88.2/20045	97.0	8.16
M 315F47A2-FZ-250	250.0	90.0	52.0	25.00	-	102.0	315.0/70812	346.5	22.40
M 630A2-F-400	400.0	140.0	65.0	36.00	-	152.0	630.0/141720	693.0	58.50
P 100	100.0	50.0	29.9	13.94	60.0	-	160.0/36364	176.0	9.27
P 100F4A2-F1	100.0	40.0	22.0	11.30	-	53.5	65.0/14612	71.5	5.52
P 150F40	150.0	38.0	20.5	10.00	41.1	44.6	80.0/17984	88.0	3.70
P 150F41	150.0	38.0	20.5	12.00	51.2	55.5	100.0/22480	110.0	5.50
P 160	160.0	50.0	29.9	13.94	60.0	-	160.0/36364	176.0	7.23
P 200F28	200.0	65.0	37.1	16.00	77.5	85.5	160.0/36364	176.0	14.10
P 200F31	200.0	80.0	37.1	16.00	77.5	85.5	160.0/36364	176.0	18.10
P 200F178A2	200.0	90.0	46.0	26.00	-	97.0	230.0/51704	253.0	22.00
P 200F188A2	200.0	80.0	48.0	18.00	-	96.2	200.0/44960	220.0	22.00
P 250F173A2	250.0	100.0	52.0	25.00	-	109.0	315.0/70812	345.0	32.70
P 300	300.0	80.0	45.0	23.81	95.5	103.0	300.0/68181	320.0	24.32
P 350	350.0	80.0	45.0	23.81	95.5	103.0	300.0/68181	320.0	23.60
P 400F1	400.0	80.0	45.0	23.81	95.5	103.0	300.0/68181	320.0	22.67

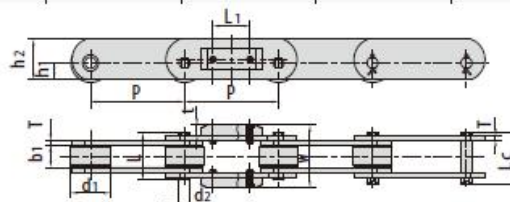


Chain No.	L <sub>1</sub>	G	F	W	h <sub>4</sub>	h <sub>2</sub>	d <sub>4</sub>	T	d <sub>5</sub>
	mm	mm	mm	mm	mm	mm	mm	mm	mm
M 56F4-P-100	40.0	70.0	68.5	98.50	25.0	25.0	9.0	4.0	44.5
M 56F7-P-100	40.0	70.0	71.5	92.00	55.0	25.0	6.5	4.0	45.0
M 56F9-P-100	40.0	70.0	67.5	96.58	25.0	32.0	9.0	5.0	44.5
M 56F24A2-F-100	50.0	90.0	88.0	117.00	41.0	32.0	10.0	5.0	60.0
M 315F47A2-FZ-250	100.0	210.0	160.0	194.00	70.0	70.0	19.0	8.0	110.0
M 630A2-F-400	190.0	250.0	230.0	300.00	90.0	103.0	26.0	14.0	175.0
P 100	40.0	65.0	98.0	128.00	35.0	40.0	10.0	4.0	65.0
P 100F4A2-F1	40.0	65.0	70.0	94.00	22.0	32.0	10.0	4.5	50.0
P 150F40	60.0	90.0	71.0	94.00	27.0	32.0	10.0	3.7	-
P 150F41	60.0	90.0	71.0	94.00	29.0	32.0	10.0	6.0	-
P 160	85.0	115.0	94.0	124.00	35.0	40.0	10.0	4.0	65.0
P 200F28	80.0	120.0	120.0	158.00	63.0	44.5	12.0	8.0	80.0
P 200F31	80.0	140.0	120.0	158.00	85.0	44.5	M 10	8.0	100.0
P 200F178A2	110.0	160.0	126.0	166.00	85.0	60.0	12.0	8.0	103.0
P 200F188A2	95.0	160.0	138.0	184.00	85.0	51.0	11.0	8.0	99.0
P 250F173A2	160.0	200.0	146.0	186.00	95.0	75.0	12.0	10.0	120.0
P 300	200.0	250.0	150.0	190.00	105.0	60.0	13.0	10.0	100.0
P 350	250.0	300.0	150.0	190.00	105.0	60.0	13.0	10.0	100.0
P 400F1	300.0	350.0	150.0	190.00	105.0	60.0	15.0	10.0	100.0



Chain No.	节距 Pitch	滚子直径 Roller diameter		内节内宽 Width between inner plates	销轴直径 Pin diameter	销轴长度 Pin length	套筒直径 Bush diameter	链板高度 Plate depth	链板厚度 Plate thickness	抗拉强度 Tensile strength
	P	d <sub>1 max</sub>	d <sub>s max</sub>	b <sub>1 min</sub>	d <sub>2 max</sub>	L <sub>max</sub>	d <sub>3 max</sub>	h <sub>2 max</sub>	T <sub>max</sub>	Q <sub>min</sub>
	mm	mm	mm	mm	mm	mm	mm	mm	mm	kN/bf
M 160F6-F-200	200.0	80.0	98.0	47.5	18.0	91.0	30.0	51.0	6.0	160.0/35968
M 160F7-F-200	200.0	80.0	98.0	47.5	18.0	99.0	30.0	51.0	8.0	160.0/35968
M 224F9-F-200	200.0	90.0	105.0	44.5	26.0	112.0	35.0	60.0	8.0	224.0/50355
P 250F108A2	250.0	85.0	105.0	42.0	21.0	92.8	30.0	62.0	8.0	224.0/50355
P 250F109A2	250.0	85.0	105.0	42.0	21.0	92.8	30.0	62.0	8.0	224.0/50355
P 250F119A2	250.0	80.0	100.0	51.0	135.3	99.0	30.0	53.0	8.0	160.0/35968
P 250F155A2-FZ	250.0	85.0	105.0	42.0	21.0	93.8	30.0	62.0	8.0	224.0/50355
P 250F121A2	250.0	85.0	104.0	42.0	21.0	91.0	30.0	62.0	8.0	224.0/50355

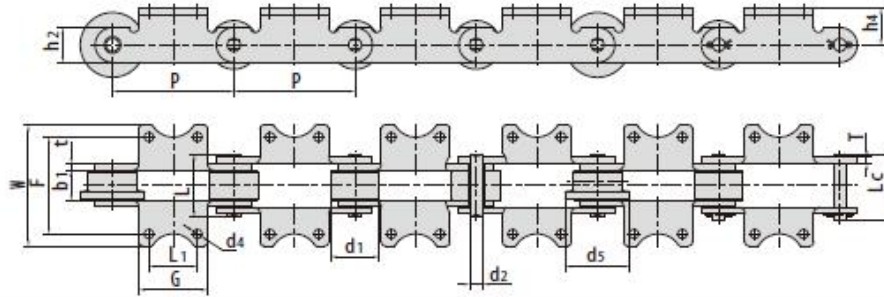
Chain No.	P	L <sub>1</sub>	G	F	W	h <sub>4</sub>	d <sub>4</sub>
	mm	mm	mm	mm	mm	mm	mm
M 160F6-F-200	200.0	95.0	160.0	32.0	55.0	85.0	11.0
M 160F7-F-200	200.0	95.0	160.0	36.0	59.0	85.0	11.0
M 224F9-F-200	200.0	120.0	160.0	35.0	50.0	85.0	12.0
P 250F108A2	250.0	144.0	200.0	48.5	64.5	120.0	12.5
P 250F109A2	250.0	144.0	200.0	48.5	64.5	120.0	11.0
P 250F119A2	250.0	140.0	200.0	46.0	68.0	90.0	M 10
P 250F155A2-FZ	250.0	160.0	200.0	45.5	64.5	120.0	12.0
P 250F121A2	250.0	160.0	200.0	44.0	64.5	120.0	12.0



Chain No.	P	L <sub>1</sub>	W	t
	mm	mm	mm	mm
P 152F13	152.4	60.0	101.0	16.0

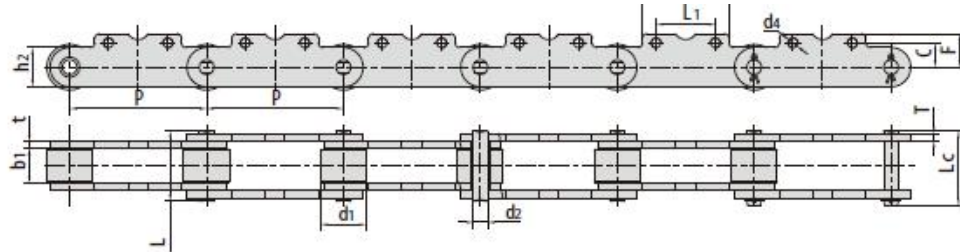
Chain No.	节距 Pitch	滚子直径 Roller diameter	内节内宽 Width between inner plates	销轴直径 Pin diameter	销轴长度 Pin length		链板高度 Plate depth		链板厚度 Plate thickness	抗拉强度 Tensile strength
	P	d <sub>1 max</sub>	b <sub>1 min</sub>	d <sub>2 max</sub>	L <sub>max</sub>	L <sub>c max</sub>	h <sub>1 max</sub>	h <sub>2 max</sub>	T <sub>max</sub>	Q <sub>min</sub>
	mm	mm	mm	mm	mm	mm	mm	mm	mm	kN/bf
P 152F13	152.4	63.4	35.0	18.0	77.0	83.0	26.9	65.0	8.0	160.0/35968





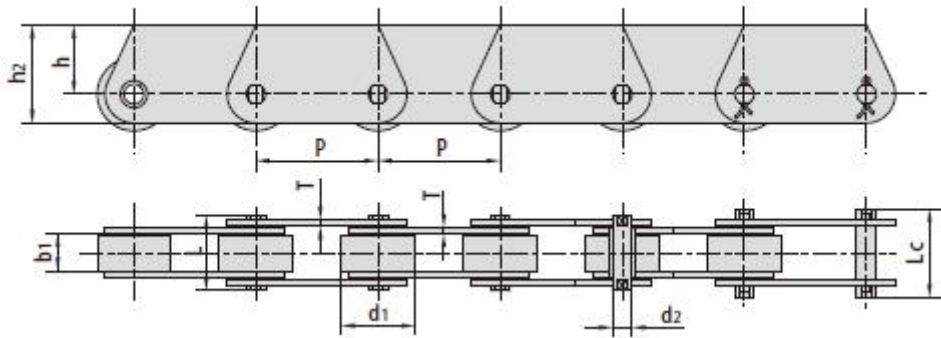
Chain No.	节距 Pitch	滚子直径 Roller diameter	内节内宽 Width between inner plates	销轴直径 Pin diameter	销轴长度 Pin length		链板高度 Inner plate depth	链板厚度 Plate thickness	抗拉强度 Tensile strength	每米长重 Weight per meter
	p	d <sub>1 max</sub>	b <sub>1 min</sub>	d <sub>2 max</sub>	L <sub>max</sub>	L <sub>c max</sub>	h <sub>2 max</sub>	t <sub>T max</sub>	Q <sub>min</sub>	q
	mm	mm	mm	mm	mm	mm	mm	mm	kN/bf	kg/m
P 125F43A2	125.00	40.00	27.00	11.10	57.00	61.00	32.00	6.00	124.60/28010	6.56
P 150F4K2	150.00	50.00	37.00	16.00	77.50	82.50	43.00	8.00	170.00/38216	14.34
P 150F108K2-F	150.00	60.00	37.00	16.00	77.50	82.50	43.00	8.00	170.00/38216	20.80

Chain No.	P	L <sub>1</sub>	G	F	W	h <sub>4</sub>	h <sub>2</sub>	d <sub>4</sub>	t <sub>T</sub>	d <sub>5</sub>
	mm	mm	mm	mm	mm	mm	mm	mm	mm	mm
P 125F43A2	125.00	60.00	85.00	92.00	117.20	22.50	32.00	10.00	6.00	-
P 150F4K2	150.00	60.00	85.00	120.00	150.00	33.00	14.00	14.00	8.00	-
P 150F108K2-F	150.00	60.00	85.00	120.00	150.00	45.00	11.00	11.00	8.00	80.00

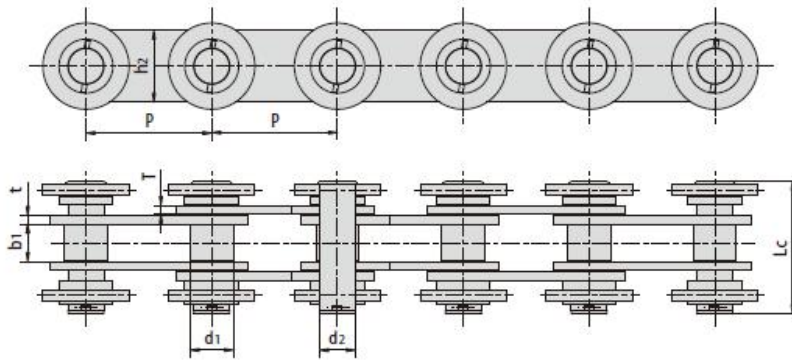


Chain No.	节距 Pitch	滚子直径 Roller diameter	内节内宽 Width between inner plates	销轴直径 Pin diameter	销轴长度 Pin length		链板高度 Inner plate depth	链板厚度 Plate thickness	抗拉强度 Tensile strength	每米长重 Weight per meter
	p	d <sub>1 max</sub>	b <sub>1 min</sub>	d <sub>2 max</sub>	L <sub>max</sub>	L <sub>c max</sub>	h <sub>2 max</sub>	t <sub>T max</sub>	Q <sub>min</sub>	q
	mm	mm	mm	mm	mm	mm	mm	mm	kN/bf	kg/m
P 150F134SK2	150.00	50.00	37.00	16.00	77.50	82.50	43.00	8.00	170.00/38216	12.90

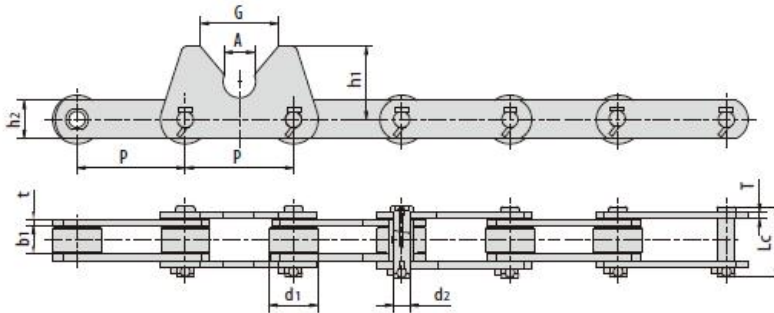
Chain No.	P	L <sub>1</sub>	G	C	F	d <sub>4</sub>
	mm	mm	mm	mm	mm	mm
P 150F134SK2	150.00	65.00	95.00	36.50	43.00	M 10



Chain No.	节距 Pitch	滚子直径 Roller diameter	内节内宽 Width between inner plates	销轴直径 Pin diameter	销轴长度 Pin length		链板高度 Plate depth		链板厚度 Plate thickness	抗拉强度 Tensile strength	每米长重 Weight per meter
	p	d <sub>1</sub> max	b <sub>1</sub> min	d <sub>2</sub> max	L max	L <sub>c</sub> max	h max	h <sub>2</sub> max	T max	Q min	q
	mm	mm	mm	mm	mm	mm	mm	mm	mm	kN/bf	kg/m
P31.75F1	31.75	19.05	9.80	5.08	19.2	22.5	18.00	25.5	1.60	20.0/4545	1.48
P63F10	63.00	42.00	23.00	11.11	50.0	53.0	29.40	44.4	4.80	80.0/17997	8.32
P100F59	100.00	40.00	25.00	14.50	61.0	67.5	23.00	40.0	6.30	100.0/22496	7.98
P100F285	100.00	30.00	16.00	7.92	-	44.3	20.00	31.8	4.80	56.0/12588	3.65
P101.6F10	101.60	50.00	30.00	14.27	64.0	68.5	30.00	50.0	6.40	180.0/40909	11.56
P101.6F178	101.60	57.15	33.00	16.00	81.5	88.0	31.75	50.8	9.70	125.0/28100	16.30
P125F69	125.00	65.00	51.40	19.00	101.0	108.0	38.10	63.5	9.50	224.0/50355	23.20
P125F71	125.00	65.00	51.40	18.90	101.0	108.0	38.10	63.5	9.50	224.0/50355	23.20
P152F49	152.40	63.50	34.00	15.60	-	82.0	38.10	65.0	8.00	160.0/35993	16.30
P150F86	150.00	50.00	21.00	15.00/20.00	60.0	65.0	30.00	50.0	8.00	112.0/25178	8.92
P160F2	160.00	60.00	38.00	20.00	-	80.0	36.00	60.0	6.00	190.0/43181	12.57
P160F44	160.00	60.00	38.00	20.00	72.0	78.0	35.00	60.0	6.00	190.0/42700	12.30
P300F23	300.00	65.00	37.10	15.90	-	90.0	40.00	63.5	9.50	213.0/47884	13.60
M E 40F2-P-50.8	50.80	31.80	15.00	14.00	36.0	39.7	41.00	26.0	4.00	53.9/12123	5.20
M E 40F2-P-76.2	76.20	31.80	15.00	14.00	36.0	39.7	41.00	26.0	4.00	53.9/12123	4.32
M E 40F2-P-101.6	101.60	31.80	15.00	14.00	36.0	39.7	41.00	26.0	4.00	53.9/12123	3.88
M E 40F3-P-50.8	50.80	31.80	15.00	14.00	36.0	39.7	38.00	25.3	4.00	53.9/12123	4.89
M E 40F3-P-76.2	76.20	31.80	15.00	14.00	36.0	39.7	38.00	25.3	4.00	53.9/12123	4.05
M E 40F3-P-101.6	101.60	31.80	15.00	14.00	36.0	39.7	38.00	25.3	4.00	53.9/12123	3.63
M E 160F2-P-101.6	101.60	66.67	25.40	27.00	62.8	-	74.60	49.6	8.00	133.0/29915	18.34
M E 160F2-P-152.4	152.40	66.67	25.40	27.00	62.8	69.7	74.60	49.6	8.00	133.0/29915	15.00
M T 18F1-S-50	50.00	18.00	11.50	5.72	25.5	28.2	10.00	17.5	2.50	18.0/4050	1.36
M T 18F3-P-50	50.00	25.00	11.50	5.72	24.0	26.4	16.50	25.0	2.03	18.0/4050	2.00
M T 18F10-S-50	50.00	18.00	25.00	5.72	39.0	41.7	17.50	10.0	2.50	18.0/4050	1.90
M T 40F-P-50	50.00	31.00	15.00	10.00	36.0	39.0	17.50	30.0	4.00	40.0/8992	4.33
M T 28F1-P-63	63.00	30.00	18.00	7.00	34.0	37.5	20.00	30.0	3.00	28.0/6300	3.40
M T 40F1-P-63	63.00	30.00	16.00	8.50	37.0	40.0	19.00	30.0	4.00	40.0/8992	3.90
M T 80F2-P-63	63.00	30.00	25.00	7.00	45.2	48.7	20.00	30.0	4.00	35.0/7875	4.58
M T 40F3-P-80	80.00	36.00	20.00	8.50	42.5	46.5	22.50	35.0	4.00	40.0/8992	4.81
M T 40F-P-100	100.00	31.00	15.00	10.00	36.0	39.0	17.50	30.0	4.00	40.0/8992	3.14
M T 40F5-P-63	63.00	36.00	20.00	10.00	42.5	46.5	35.00	22.5	4.00	40.0/8992	5.46
M T 56F10-P-63	63.00	42.00	23.00	11.11	50.0	-	44.40	29.4	4.80	56.0/12600	8.20
M T 80F4-P-100	100.00	50.00	28.00	14.35	55.0	59.5	32.50	57.5	5.00	120.0/26977	9.38
M T 56F1-B-100	100.00	15.00	24.00	10.00	46.0	49.5	35.00	50.0	4.00	56.0/12600	3.38
M T 80F2-P-100	100.00	50.00	28.00	14.35	55.0	59.5	32.50	51.5	5.00	120.0/26976	9.56
M T 315F3-P-250	250.00	85.00	57.20	24.00	119.7	119.7	53.00	84.8	9.50	315.0/70815	19.85

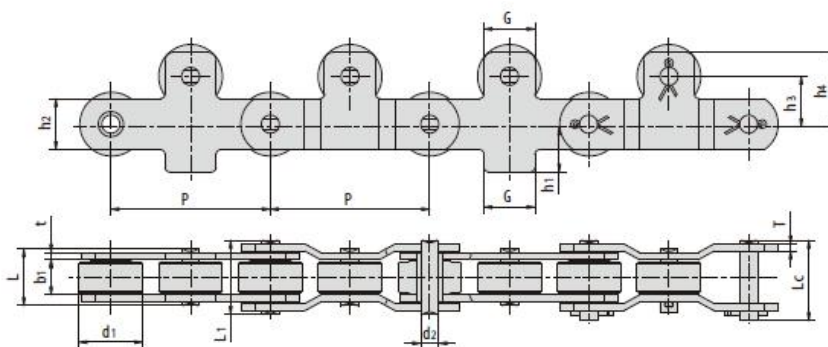


Chain No.	节距 Pitch	滚子直径 Roller diameter	内节内宽 Width between inner plates	销轴直径 Pin diameter	销轴长度 Pin length	链板高度 Plate depth	链板厚度 Plate thickness	抗拉强度 Tensile strength	平均抗拉强度 Average tensile strength	每米长重 Weight per meter
	p	d1 max	b1 min	d2 max	Lc max	h2 max	t max	Q min	Q0	q
	mm	mm	mm	mm	mm	mm	mm	kN/bf	kN	kg/m
P 175F1	175.0	60.0	52.0	50.0	176.0	100.0	12.0	366.0/82280	400.0	25.5



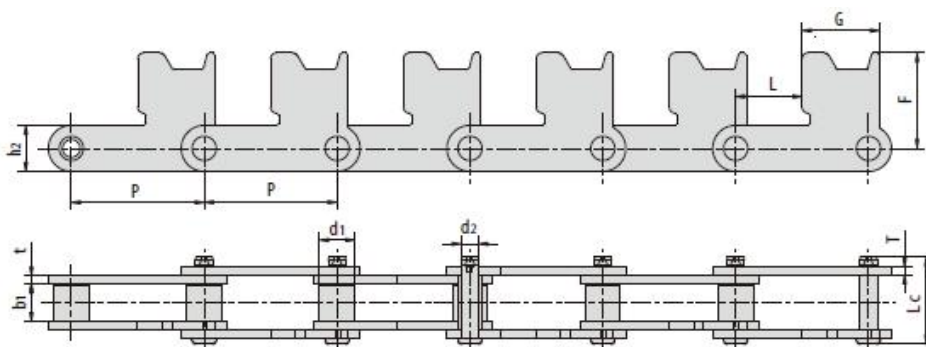
Chain No.	节距 Pitch	滚子直径 Roller diameter	内节内宽 Width between inner plates	销轴直径 Pin diameter	销轴长度 Pin length	链板高度 Plate depth	链板厚度 Plate thickness	抗拉强度 Tensile strength	平均抗拉强度 Average tensile strength	每米长重 Weight per meter
	p	d1 max	b1 min	d2 max	Lc max	h2 max	t max	Q min	Q0	q
	mm	mm	mm	mm	mm	mm	mm	kN/bf	kN	kg/m
P 200F60	200.0	90.0	52.0	30.0	132.0	70.0	12.0	530.0/119148	609.0	36.9

Chain No.	G	A	h1
	mm	mm	mm
P 200F60	144.0	56.6	135.0

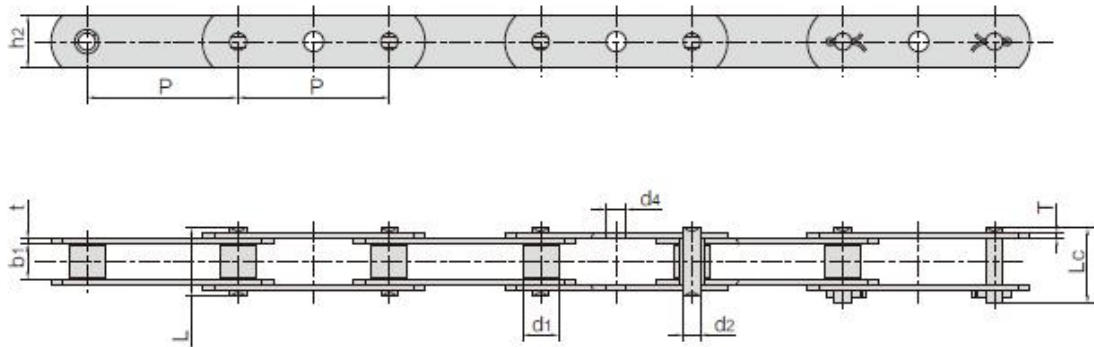


Chain No.	节距	滚子直径	内节内宽	销轴直径	销轴长度			链板高度	链板厚度	抗拉强度	平均抗拉强度	每米长重
	Pitch	Roller diameter	Width between inner plates	Pin diameter	L max	L1 max	Lc max	Plate depth	Plate thickness	Tensile strength	Average tensile strength	Weight per meter
	P	d1 max	b1 min	d2 max	L max	L1 max	Lc max	h2 max	t/T max	Q min	Q0	q
	mm	mm	mm	mm	mm	mm	mm	mm	mm	kN/bf	kN	kg/m
P100F126	100.0	40.0	22.0	11.3	36.5	47.0	51.0	32.0	4.5	70.0/15736	80.0	7.7

Chain No.	G	h1	h3	h4
	mm	mm	mm	mm
P100F126	32.0	30.0	30.0	45.0



Chain No.	节距	滚子直径	内节内宽	销轴直径	销轴长度	链板高度	链板厚度	附件尺寸			抗拉强度	平均抗拉强度	每米长重
	Pitch	Roller diameter	Width between inner plates	Pin diameter	Pin length	Plate depth	Plate thickness	F	G	L	Tensile strength	Average tensile strength	Weight per meter
	P	d1 max	b1 min	d2 max	Lc max	h2 max	t/T max	F	G	L	Q min	Q0	q
	mm	mm	mm	mm	mm	mm	mm	mm	mm	mm	kN/bf	kN	kg/m
P110F5	110.0	29.0	30.4	14.5	72.1	38.1	6.3	79.05	64.0	55.0	229.0/51484	250.0	8.3
P110F21	110.0	54.0	48.0	27.0	118.0	70.0	12.0	95.00	64.0	55.0	600.0/134880	660.0	32.6



Chain No.	节距 Pitch	滚子直径 Roller diameter	内节内宽 Width between inner plates	销轴直径 Pin diameter	销轴长度 Pin length		链板尺寸 Plate dimension			抗拉强度 Tensile strength	平均抗拉强度 Average tensile strength	每米重量 Weight per meter
	p	d <sub>1</sub> max	b <sub>1</sub> min	d <sub>2</sub> max	L max	L <sub>c</sub> max	h <sub>2</sub> max	t/T max	d <sub>4</sub>	Q <sub>min</sub>	Q <sub>0</sub>	q
	mm	mm	mm	mm	mm	mm	mm	mm	mm	kN/bf	kN	kg/m
*P30GKF1	30.00	12.00	16.00	8.00	32.80	35.50	20.00	3.00	8.00	40.08992	44.00	2.10
P31.75GK	31.75	10.16	10.00	5.08	22.10	24.40	15.00	2.30	7.30	21.84901	23.98	0.92
P44.45F10	44.45	11.91	12.70	5.94	29.20	31.50	18.00	3.00	8.10	40.08992	44.00	1.33
P45F5	45.00	11.91	12.57	5.94	29.20	31.60	18.00	3.25	8.00	31.87149	34.98	1.37
P50F22GK	50.00	12.10	11.90	5.85	26.90	28.50	17.20	2.50	8.00	25.05620	27.50	1.10
P50.8F67GK	50.80	12.70	11.68	5.72	22.50	25.20	18.00	1.85	6.70	29.06519	31.90	0.94
P60F4GKF1	60.00	16.87	19.81	7.19	35.00	38.00	19.30	2.80	8.3×8.3	39.18790	43.01	1.60
P60F4GKF2	60.00	16.87	19.81	7.19	35.00	38.00	19.30	2.80	12.00	39.18790	43.01	1.57

\*套筒链：表中滚子直径d<sub>1</sub>为套筒直径

\*Bush chain: d<sub>1</sub> in the table indicates the external diameter of the bush.

图示中d<sub>4</sub>孔在链条内外链节上的装配位置详见产品图纸

Assembly position of d<sub>4</sub> hole see product drawing