



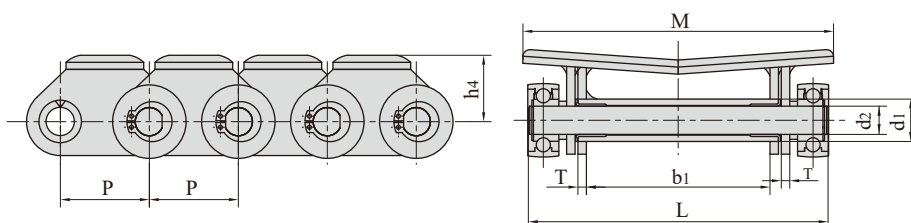
Conveyor chains for paper roll

杭州四海传动件有限公司
Hangzhou Ocean Industry CO. Ltd.

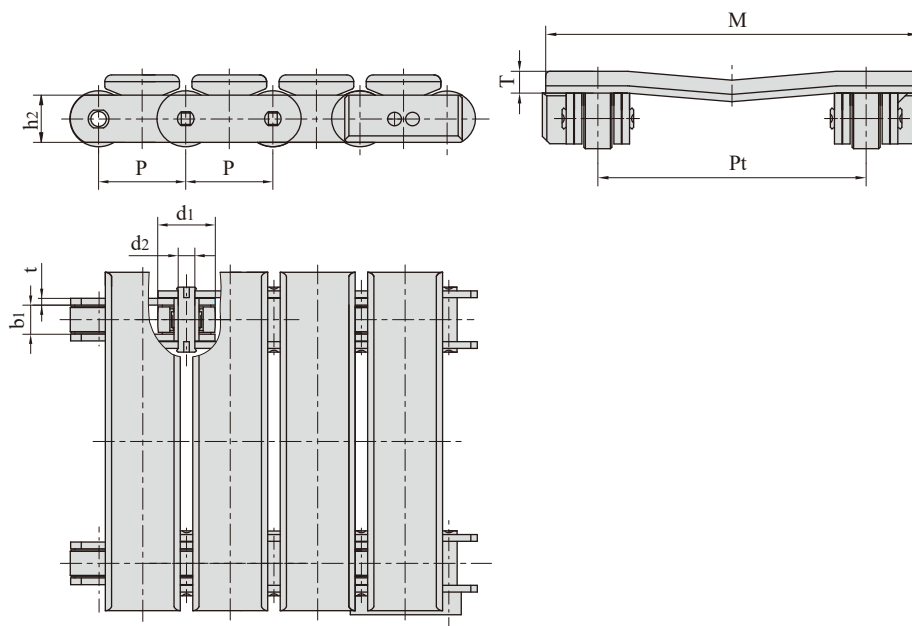
Tel:0086-571-88842852
Fax:0086-571-88844378
E-mail:oceaindustry@vip.163.com

电话:0086-571-88842852
传真:0086-571-88844378
邮箱:oceaindustry@vip.163.com

Conveyor chains for paper roll



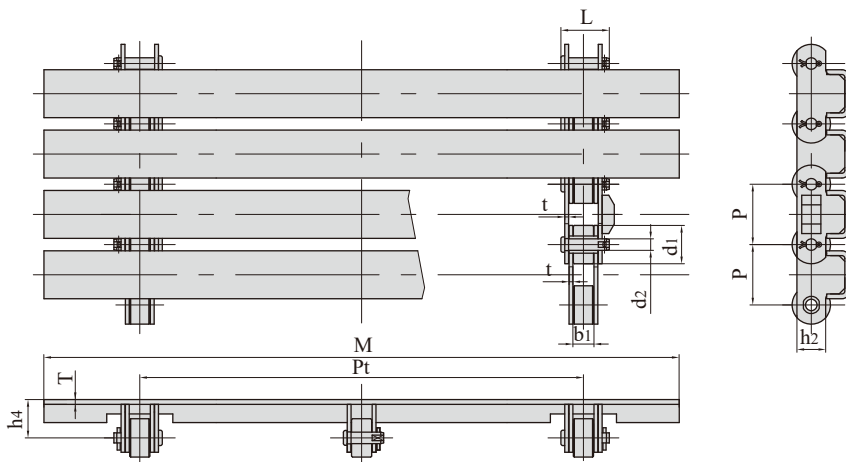
Chain No.	Pitch	Bush diameter	Width between inner plates	Pin diameter	Pin length	Plate thickness	Attachment dimension		Tensile strength	Average tensile strength
	P	d1 max	b1 min	d2 max	L max	T max	M	h4	Q min	Q0 min
	mm	mm	mm	mm	mm	mm	mm	mm	kN/lbf	kN
63PF2	63.0	30.0	130.0	20.0	213	6.0	220.0	50.0	160.0/35968	176.0
63PF4	63.0	30.0	160.0	20.0	243	6.0	250.0	50.0	160.0/35968	176.0
63PF5	63.0	30.0	110.0	20.0	193	6.0	200.0	50.0	160.0/35968	176.0
63PF11	63.0	30.0	230.0	20.0	313	6.0	320.0	50.0	160.0/35968	176.0



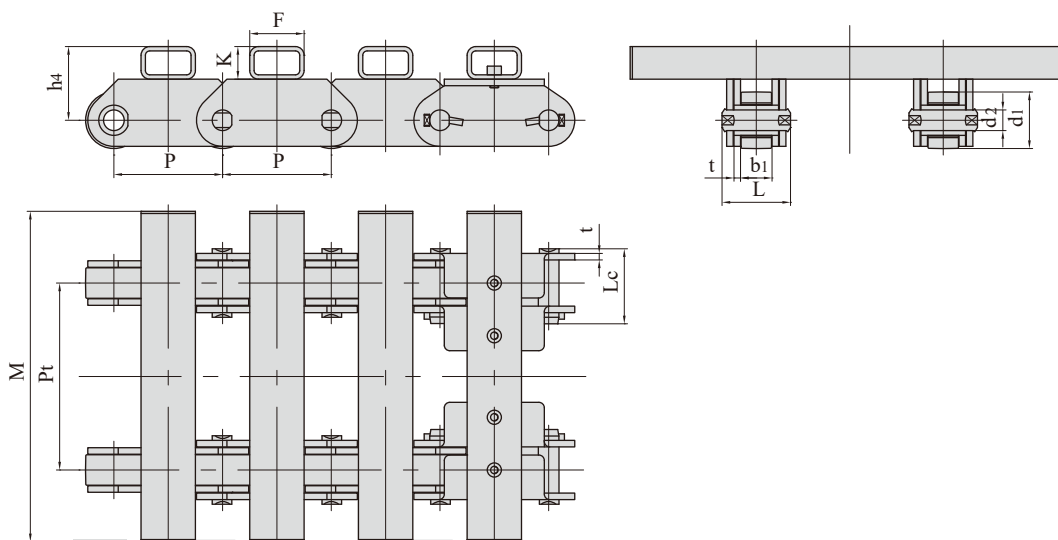
Chain No.	Pitch	Width between inner plates	Pin diameter	Roller diameter	Plate depth	Plate thickness	Attachment dimension			Tensile strength
	P	b1 min	d2 max	d1 max	h 2 max	t max	Pt	T	M	Q min
	mm	mm	mm	mm	mm	mm	mm	mm	mm	kN/lbf
P63F16	63.0	21.5	12.0	42.0	35.0	5.0	180.0	15.0	250.0	120.0/26994
P63F25	63.0	24.0	14.0	42.0	35.0	5.0	180.0	15.0	250.0	100.0/22495
*P63.5F23	63.5	19.0	11.5	40.0	35.0	5.0	236.0	15.0	300.0	100.0/22495

*Means no bearing inside roller

Conveyor chains for paper roll

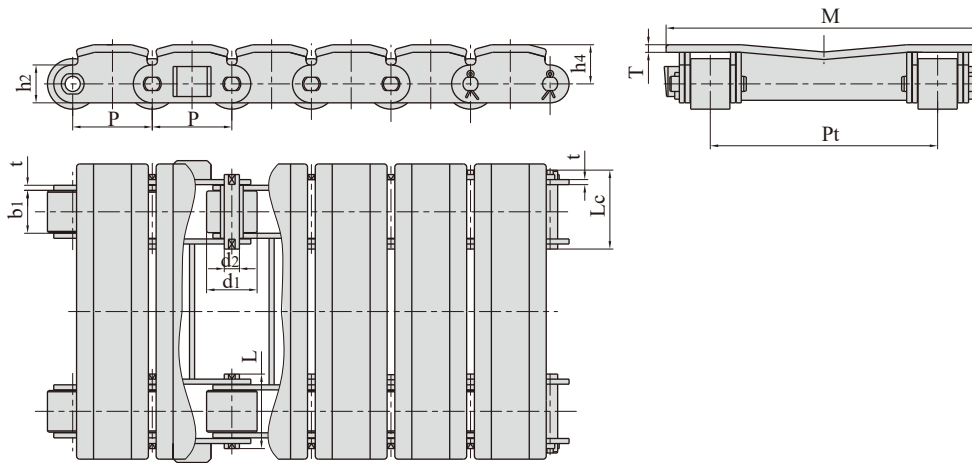


Chain No.	Pitch	Roller diameter	Width between inner plates	Pin diameter	Pin length	Plate depth	Plate thickness	Attachment dimension				Tensile strength
	p	d1 max	b1 min	d2 max	L max	h2 max	t max	Pt	M	h4	T	Q _{min}
	mm	mm	mm	mm	mm	mm	mm	mm	mm	mm	mm	kN/lbf
P63F40	63.0	40.0	22.0	12.0	51.0	30.0	4.0	600	800	40	5	63.0/14162

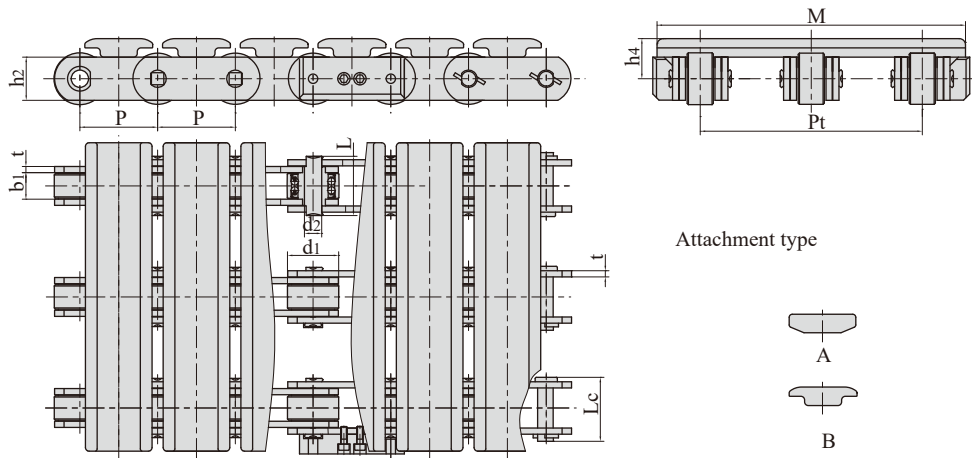


Chain No.	Pitch	Roller diameter	Width between inner plates	Pin diameter	Pin length		Plate thickness	Attachment dimension					Tensile strength
	p	d1 max	b1 min	d2 max	L max	Lc max	t max	F	K	Pt	M	h4	Q _{min}
	mm	mm	mm	mm	mm	mm	mm	mm	mm	mm	mm	mm	kN/lbf
P100F361	100	52.0	29.0	19.0	63.0	69.0	6.0	50	30	572	804	68	200.0/44960

Conveyor chains for paper roll

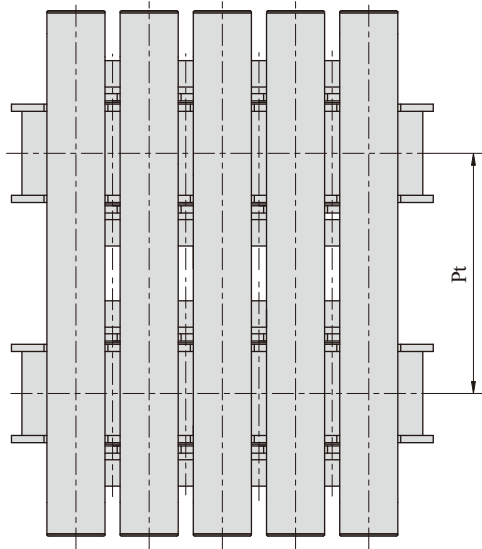
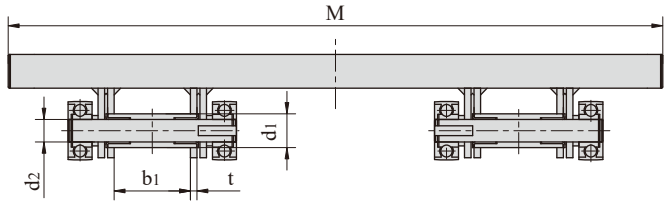
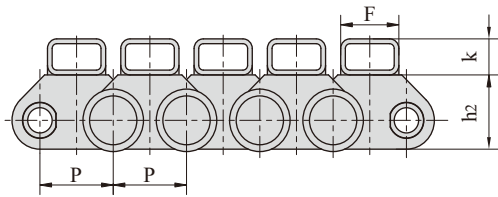


Chain No.	Pitch	Roller diameter	Width between inner plates	Pin diameter	Pin length		Plate depth	Plate thickness	Attachment dimension				Tensile strength
	P mm	d_1 max mm	b_1 min mm	d_2 max mm	L max mm	L_c max mm	h_2 max mm	t max mm	P_t mm	M mm	h_4 mm	T mm	Q_{min} kN/lbf
FV63F18-P-63	63.0	40.0	22.0	12.0	45.6	50.0	30.0	4.0	180	240	31	6	86.7/19490



Chain No.	Pitch	Roller diameter	Width between inner plates	Pin diameter	Pin length		Plate depth	Plate thickness	Attachment dimension			Tensile strength	Attachment type
	P mm	d_1 max mm	b_1 mm	d_2 max mm	L max mm	L_c max mm	h_2 max mm	t max mm	P_t mm	M mm	h_4 mm	Q_{min} kN/lbf	
P63F33	63	42.0	24.0	14.0	51.0	56.0	35.0	5.0	1130	1200	32.5	100.0/22480	A
P63F45													B

Conveyor chains for paper roll



Chain No.	Pitch	Width between inner plates	Pin diameter	Bush diameter	Plate depth	Plate thickness	Attachment dimension				Tensile strength
	P	b ₁ min	d ₂ max	d ₁ max	h ₂ max	t max	F	K	Pt	M	Q _{min}
	mm	mm	mm	mm	mm	mm	mm	mm	mm	mm	kN/lbf
P63F23	63.0	70.0	20.0	30.0	61.8	6.0	50.0	30.0	688.0	1200.0	160.0/35993