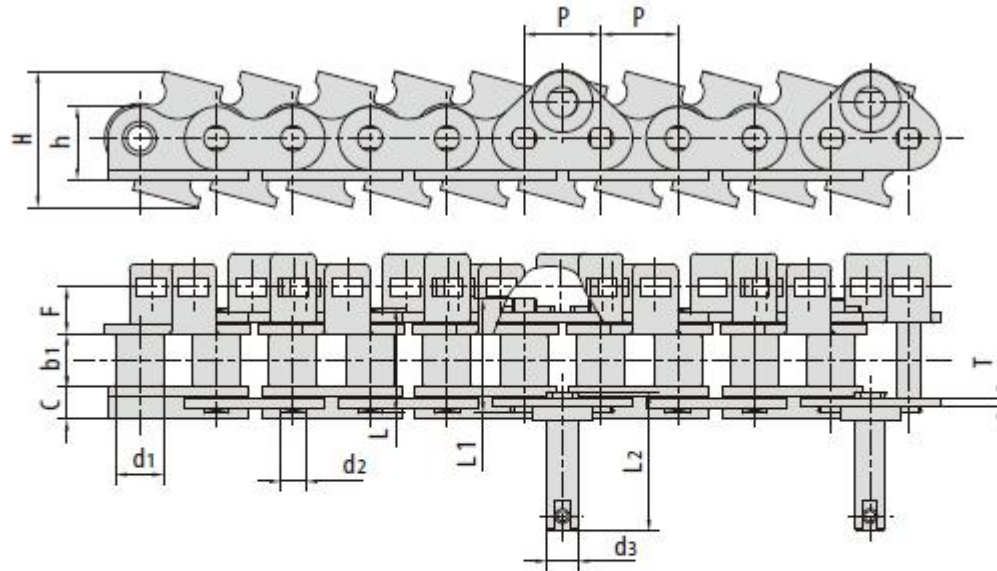
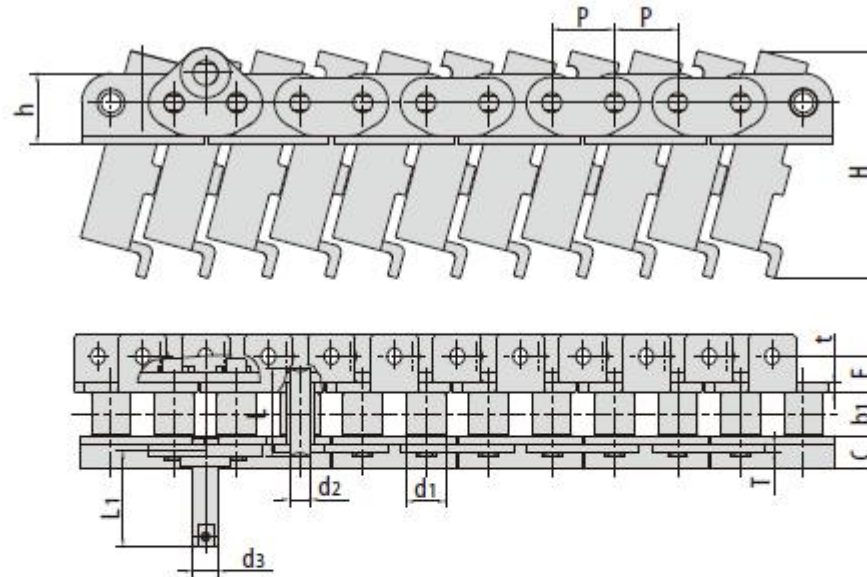


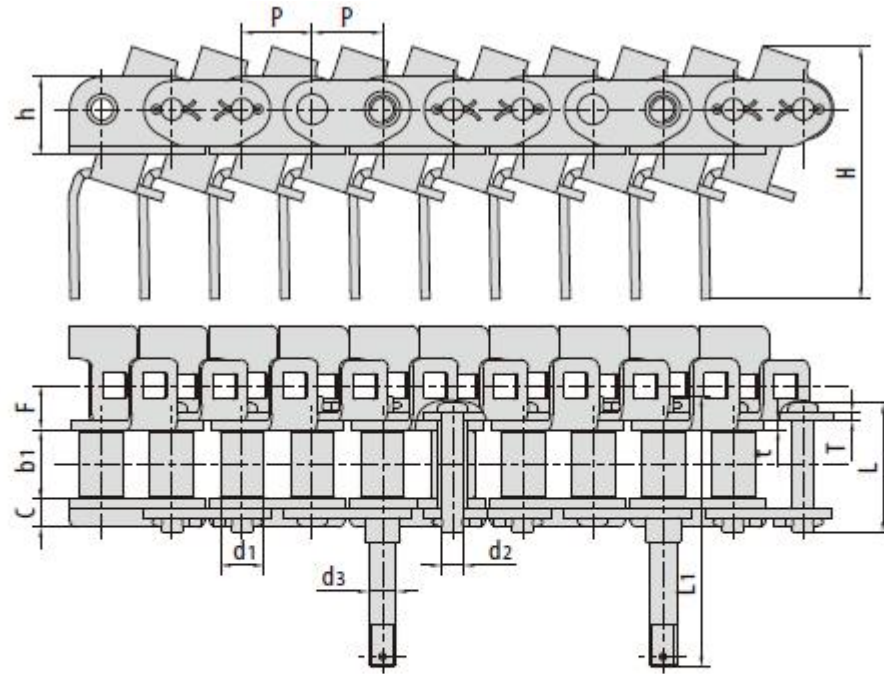
Chain No.	节距 Pitch	滚子直径 Roller diameter	内节内宽 Width between inner plates	销轴直径 Pin diameter		销轴长度 Pin length			链板尺寸 Plate dimension		装配尺寸 Assembly dimension			抗拉强度 Tensile strength
	P	d1 max	b1 min	d2 max	d3 max	L max	L1 max	L2 max	h	t/T	H	F	C	Q _{min}
	mm	mm	mm	mm	mm	mm	mm	mm	mm	mm	mm	mm	mm	kN/bf
16AF10	25.4	15.88	15.75	7.92	10.0	41.5	40.9	80.8	28.3	3.25/3.0	44.3	14.5	10.0	55.6/12499
HX16AF49	25.4	15.88	15.75	7.92	10.0	41.5	40.9	80.8	28.3	3.25/3.0	53.4	16.1	10.0	55.6/12499
HX16AF51	25.4	15.88	15.75	7.92	10.0	41.5	40.9	81.1	28.3	3.25/3.0	44.3	15.2	10.0	55.6/12499
HX16AF61	25.4	15.88	15.75	7.92	10.0	41.5	40.9	81.1	28.3	3.25/3.0	53.7	15.6	10.0	55.6/12499
HX16AF24	25.4	15.88	19.00	7.92	10.0	44.8	44.2	84.4	28.3	3.25/3.0	53.4	16.1	10.0	55.6/12499
HX16AF25	25.4	15.88	19.00	7.92	10.0	44.8	44.2	84.4	28.3	3.25/3.0	53.7	14.8	10.0	55.6/12499



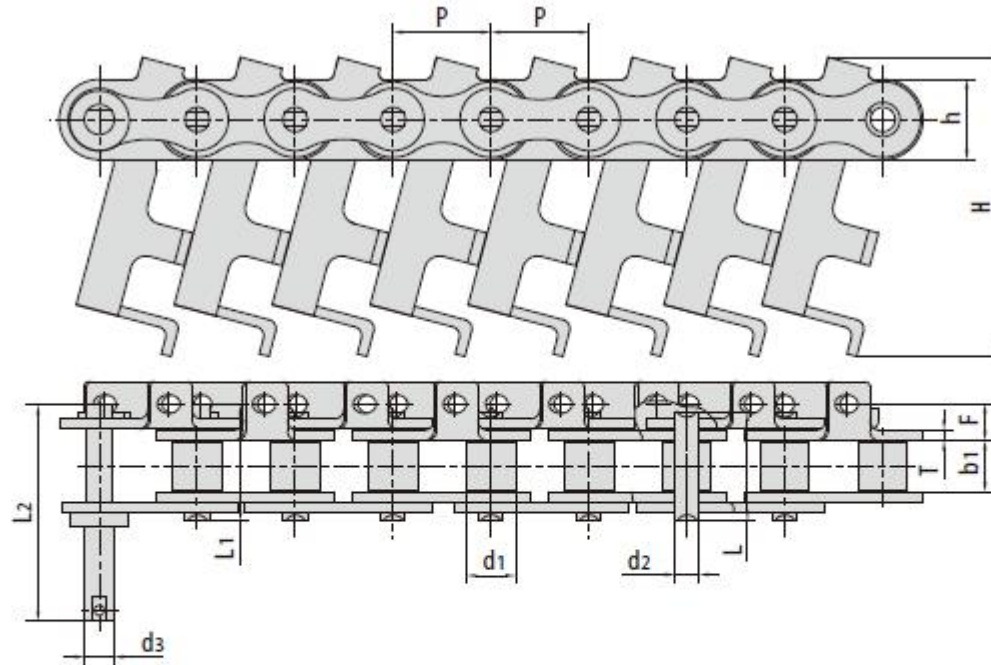
Chain No.	节距 Pitch	滚子直径 Roller diameter	内节内宽 Width between inner plates	销轴直径 Pin diameter		销轴长度 Pin length			链板尺寸 Plate dimension		装配尺寸 Assembly dimension		抗拉强度 Tensile strength	
	P	d ₁	b ₁	d ₂	d ₃	L	L ₁	L ₂	h	T	H	F	C	Q _{min}
	mm	mm	mm	mm	mm	mm	mm	mm	mm	mm	mm	mm	mm	kN/bf
HX16AF16	25.4	15.88	19.0	7.9	9.5	37.6	43.0	43.4	30.45	4.00	44.8	12.3	11.5	54.0/12148



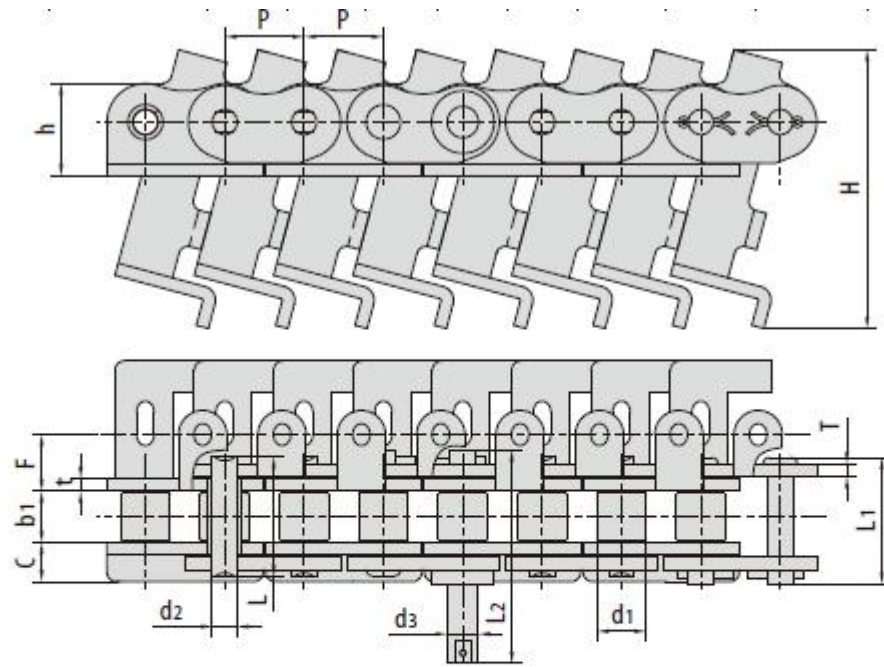
Chain No.	节距 Pitch	滚子直径 Roller diameter	内节内宽 Width between inner plates	销轴直径 Pin diameter		销轴长度 Pin length		链板尺寸 Plate dimension			装配尺寸 Assembly dimension		抗拉强度 Tensile strength	
	P	d1 max	b1 min	d2 max	d3 max	L	L1	h	T	t	H	F	C	Q min
	mm	mm	mm	mm	mm	mm	mm	mm	mm	mm	mm	mm	mm	kN/bf
16AF18	25.4	15.88	17.00	7.92	10.0	36.2	48.6	28.3	3.25	4.0	92.0	14.7	13.0	40.0/8992



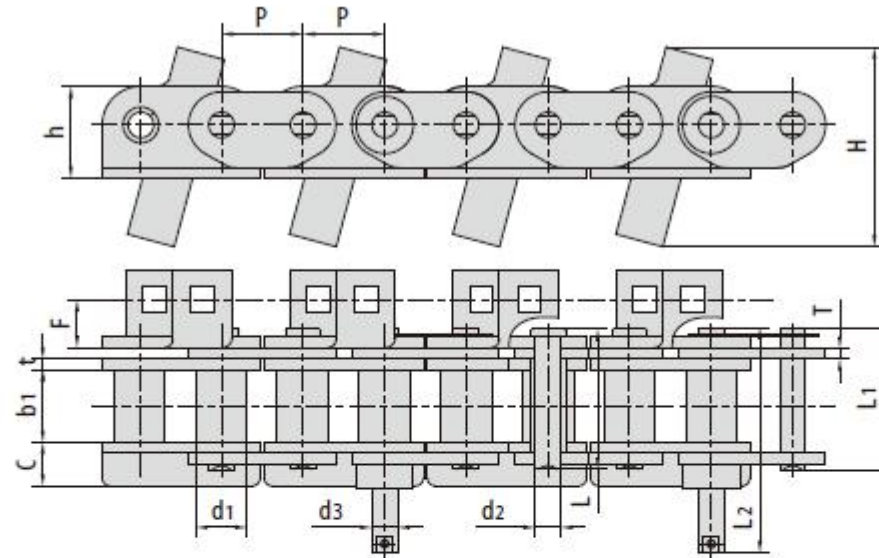
Chain No.	节距 Pitch	滚子直径 Roller diameter	内节内宽 Width between inner plates	销轴直径 Pin diameter		销轴长度 Pin length		链板尺寸 Plate dimension		装配尺寸 Assembly dimension			抗拉强度 Tensile strength
	P	d1 max	b1 min	d2 max	d3 max	L	L1	h	t/T	H	F	C	Q min
	mm	mm	mm	mm	mm	mm	mm	mm	mm	mm	mm	mm	kN/bf
HX16AF13	25.4	15.88	25.00	7.92	10.0	47.0	98.0	28.3	3.25	91.8	16.05	10.0	55.6/12499



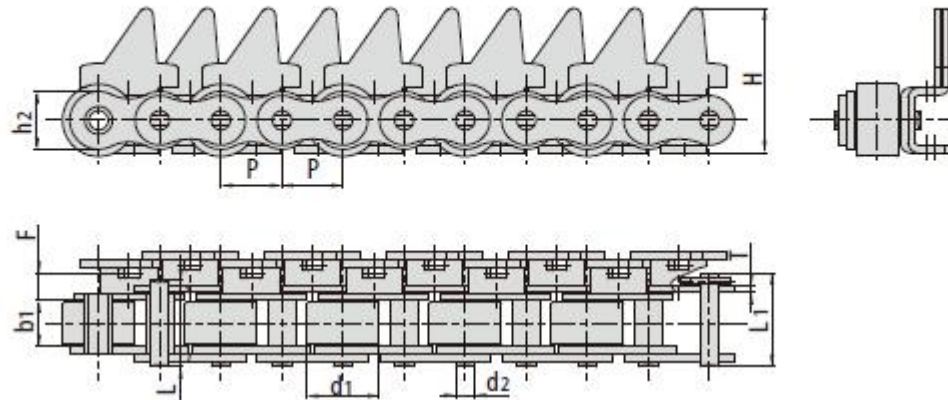
Chain No.	节距 Pitch	滚子直径 Roller diameter	内节内宽 Width between inner plates	销轴直径 Pin diameter		销轴长度 Pin length			链板尺寸 Plate dimension		装配尺寸 Assembly dimension		抗拉强度 Tensile strength
	P	d ₁	b ₁	d ₂	d ₃	L	L ₁	L ₂	h	T	H	F	Q _{min}
	mm	mm	mm	mm	mm	mm	mm	mm	mm	mm	mm	mm	kN/bf
HXP31.75	31.75	15.88	17.80	7.92 n	10.0 n	36.2	38.4	73.7	26.0	3.25	96.9	14.7	55.6/12499



Chain No.	节距 Pitch	滚子直径 Roller diameter	内节内宽 Width between inner plates	销轴直径 Pin diameter		销轴长度 Pin length			链板尺寸 Plate dimension		装配尺寸 Assembly dimension		抗拉强度 Tensile strength	
	P	d1 max	b1 min	d2 max	d3 max	L max	L1 max	L2 max	h	t/T	H	F	C	Q _{min}
	mm	mm	mm	mm	mm	mm	mm	mm	mm	mm	mm	mm	mm	kN/bf
HX16AF56	25.4	15.88	16.00	7.92	10.0	37.7	42.9	86.0	29.3	4.00	89.2	19.1	12.3	68.9/15488



Chain No.	节距 Pitch	滚子直径 Roller diameter	内节内宽 Width between inner plates	销轴直径 Pin diameter		销轴长度 Pin length			链板尺寸 Plate dimension		装配尺寸 Assembly dimension			抗拉强度 Tensile strength
	p	d1 max	b1 min	d2 max	d3 max	L max	L1 max	L2 max	h	t/T	H	F	C	Q min
	mm	mm	mm	mm	mm	mm	mm	mm	mm	mm	mm	mm	mm	kN/bf
HX16AF39	25.4	15.88	15.75	7.92	10.0	38.5	38.7	79.0	28.3	3.25	64.8	14.5	10.0	55.6/12499
HX16AF47	25.4	15.88	15.75	7.92	10.0	-	39.5	80.5	28.3	3.25	64.8	14.5	10.0	55.6/12499



Chain No.	节距 Pitch	滚子直径 Roller diameter	内节内宽 Width between inner plates	销轴直径 Pin diameter	销轴长度 Pin length		链板尺寸 Plate dimension		装配尺寸 Assembly dimension		抗拉强度 Tensile strength
	P	d1	b1	d2	L	L1	h2	T	H	F	Q _{min}
	mm	mm	mm	mm	mm	mm	mm	mm	mm	mm	kN/bf
HXP25.4F1	25.4	30.00	19.00	7.92	35.6	38.9	20.5	3.0	60.00	30.55	55.6/12499