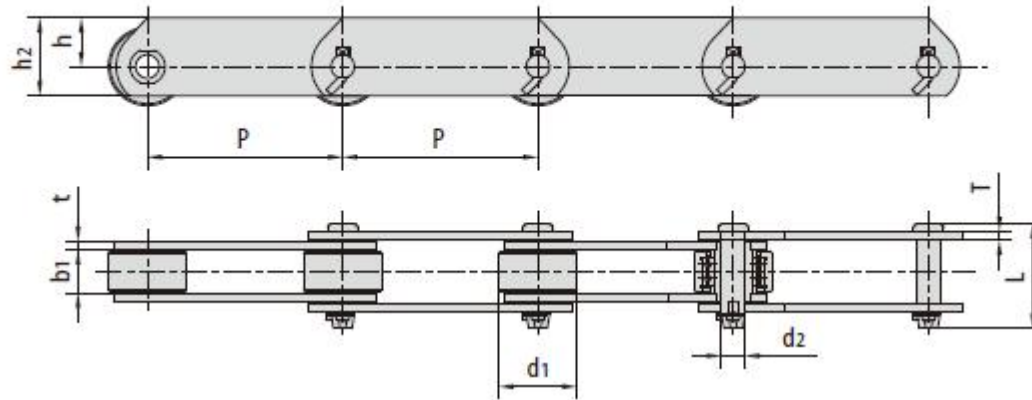




HANGZHOU OCEAN INDUSTRY CO., LTD.

Chain No.	节距 Pitch	滚子直径 Roller diameter			内节内宽 Width between inner plates	销轴直径 Pin diameter		销轴长度 Pin length	抗拉强度 Tensile strength	平均抗拉强度 Average tensile strength
	p	d1 max	d4 max	d5 max	b1 min	d2 max	d3 max	L1 max	Q min	Q ₀
	mm	mm	mm	mm	mm	mm	mm	mm	kN/bf	kN
P315	315	180.0	100.0	210.0	90.0	40.0	30.0	217.0	100.0/22727	110.0

Chain No.	P	L	G	F ₁	F ₂	h ₄	h ₂	d ₆	T
	mm	mm	mm	mm	mm	mm	mm	mm	mm
P315	315	150.0	250.0	180.0	206.0	120.0	120.0	21.0	12.0



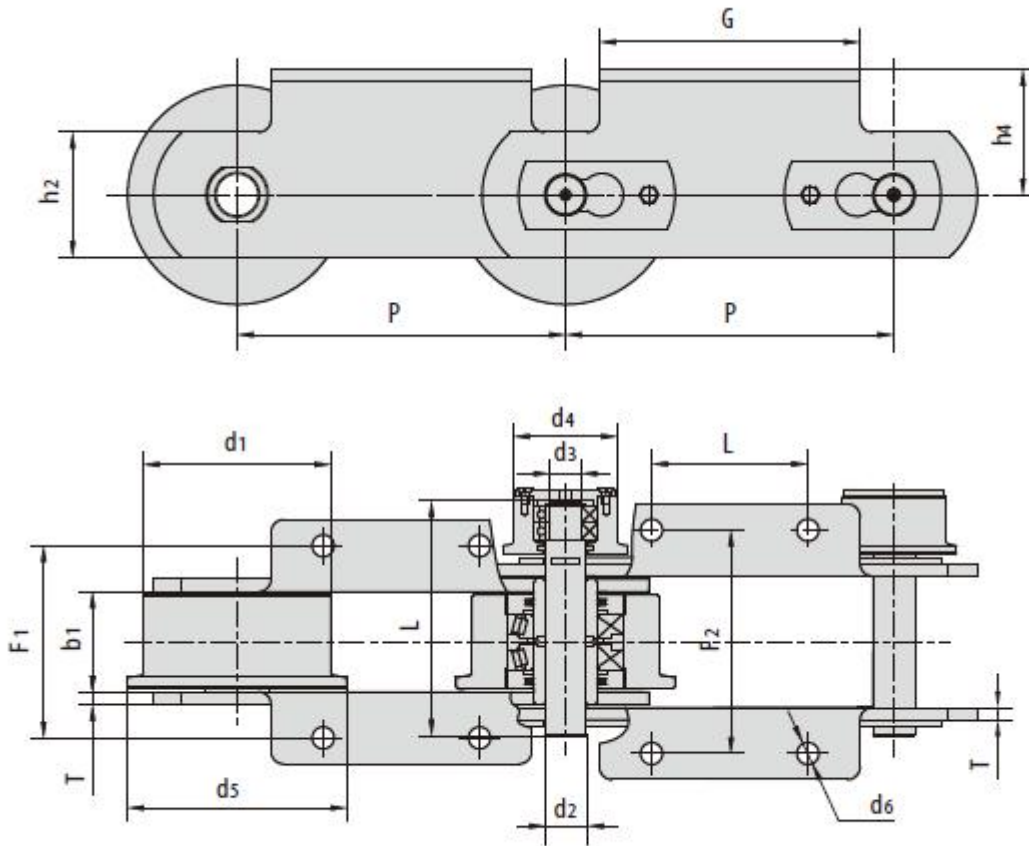
Chain No.	节距	滚子直径	内节内宽	销轴直径	销轴长度	链板高度		链板厚度	抗拉强度	平均抗拉强度	每米长重
	Pitch	Roller diameter	Width between inner plates	Pin diameter	Pin length	Plate depth	Plate thickness	Tensile strength	Average tensile strength	Weight per meter	
	P	d1 max	b1 min	d2 max	L max	h max	h2 max	t/T	Q min	Q0	q
	mm	mm	mm	mm	mm	mm	mm	mm	kN/bf	kN	kg/m
FVT63F3-PZ-100	100.0	40.0	22.0	12.0	53.5	25.0	40.0	4.5	63.0/14162	68.6	5.1

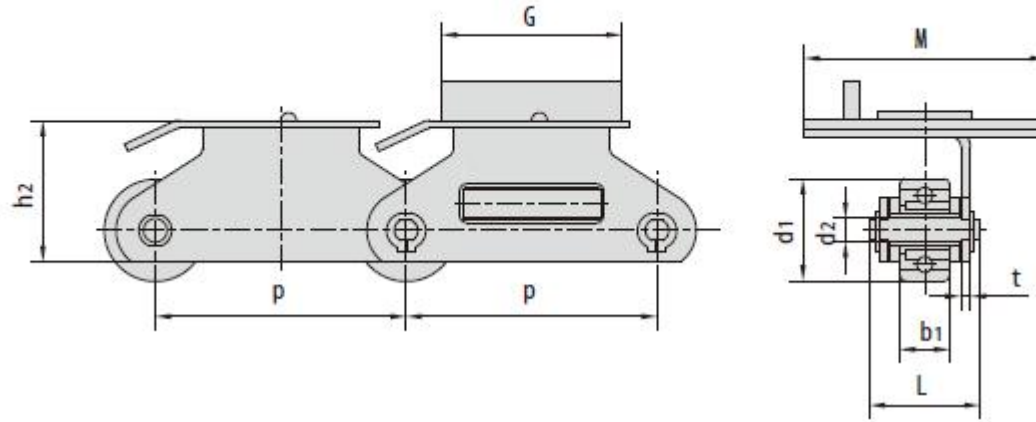


HANGZHOU OCEAN INDUSTRY CO., LTD.

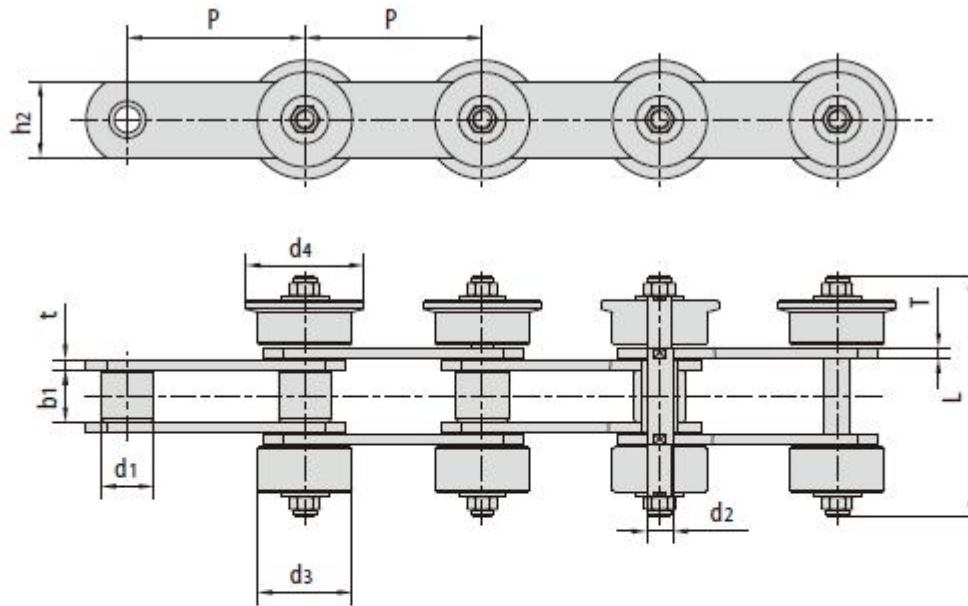
Chain No.	节距 Pitch	滚子直径 Roller diameter			内节内宽 Width between inner plates	销轴直径 Pin diameter	销轴长度 Pin length	链板高度 Inner plate depth	链板厚度 Plate thickness	抗拉强度 Tensile strength	每米长重 Weight per meter
	p	d1 max	d3 max	d5 max	b1 min	d2 max	L max	h2	t/T	Q min	q
	mm	mm	mm	mm	mm	mm	mm	mm	mm	kN/bf	kg/m
P 250F103K2	250.0	100.0	65.0	120.0	73.0	25.0	180.8	70.0	10.0	315.0/70812	47.6
P 250F114K2	250.0	40.0	72.0	-	25.0	25.0	127.0	50.0	8.0	160.0/35968	18.7
P 250F120K2	250.0	100.0	65.0	120.0	73.0	25.0	168.0	70.0	8.0	315.0/70812	43.3
P 250F122K2	250.0	100.0	65.0	120.0	75.0	25.0	188.0	70.0	11.5	315.0/70812	58.8
P 250F172K2	250.0	100.0	62.0	120.0	60.0	25.0	155.0	82.0	10.0	450.0/101160	42.5
P 250F206K2	250.0	100.0	62.0	119.0	60.0	25.0	145.8	82.0	10.0	520.0/116896	43.0

Chain No.	P	L1	G	F	W	h4	d4
	mm	mm	mm	mm	mm	mm	mm
P 250F103K2	250.0	110.0	170.0	180.0	230.0	105.00	11.00
P 250F114K2	250.0	125.0	180.0	90.0	122.0	54.00	11.00
P 250F120K2	250.0	110.0	150.0	170.0	210.0	105.00	11.00
P 250F122K2	250.0	110.0	170.0	180.0	220.0	105.00	12.00
P 250F172K2	250.0	160.0	200.0	160.0	200.0	95.00	12.00
P 250F206K2	250.0	160.0	200.0	160.0	200.0	95.00	12.00

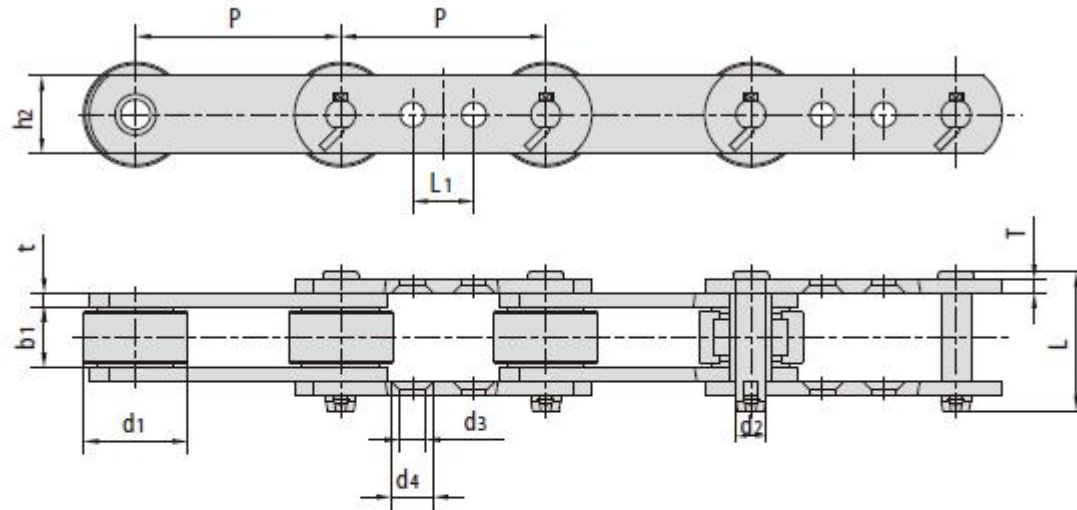




Chain No.	节距 Pitch	滚子直径 Roller diameter	内节内宽 Width between inner plates	销轴直径 Pin diameter	销轴长度 Pin length	链板厚度 Plate thickness	附件尺寸 Attachment dimension			抗拉强度 Tensile strength
	p	d _{1 max}	b _{1 min}	d _{2 max}	L _{max}	t	G	M	h ₂	Q _{min}
	mm	mm	mm	mm	mm	mm	mm	mm	mm	kN/bf
M 112F44-P-160	160.0	65.0	32.0	15.00	71.0	6.0	115.0	154.0	70.0	140.0/31472



Chain No.	节距 Pitch	滚子直径 Roller diameter			内节内宽 Width between inner plates	销轴直径 Pin diameter	销轴长度 Pin length	链板高度 Inner plate depth	链板厚度 Plate thickness	抗拉强度 Tensile strength	每米长重 Weight per meter
	P	d1 max	d3 max	d4 max	b1 min	d2 max	L max	h2	t/T	Q min	q
	mm	mm	mm	mm	mm	mm	mm	mm	mm	kN bf	kg/m
P75F55SR2	75.0	22.2	40.0	49.0	22.0	11.1	102.0	32.0	4.5	58.3/13105	9.3



Chain No.	节距	滚子直径	内节内宽	销轴直径	销轴长度	链板高度	链板厚度	附件尺寸			抗拉强度	每米长重
	Pitch	Roller diameter	Width between inner plates	Pin diameter	Pin length	Inner plate depth	Plate thickness	Attachment dimension			Tensile strength	Weight per meter
	p	d1 max	b1 min	d2 max	L max	h2	t/T	L1	d3	d4	Q min	q
	mm	mm	mm	mm	mm	mm	mm	mm	mm	mm	kN/bf	kg/m
P 100F262-G 2	100.0	50.8	30.0	14.5	69.0	38.1	6.3	30.0	12.0	20.0	96.0/21580	8.75