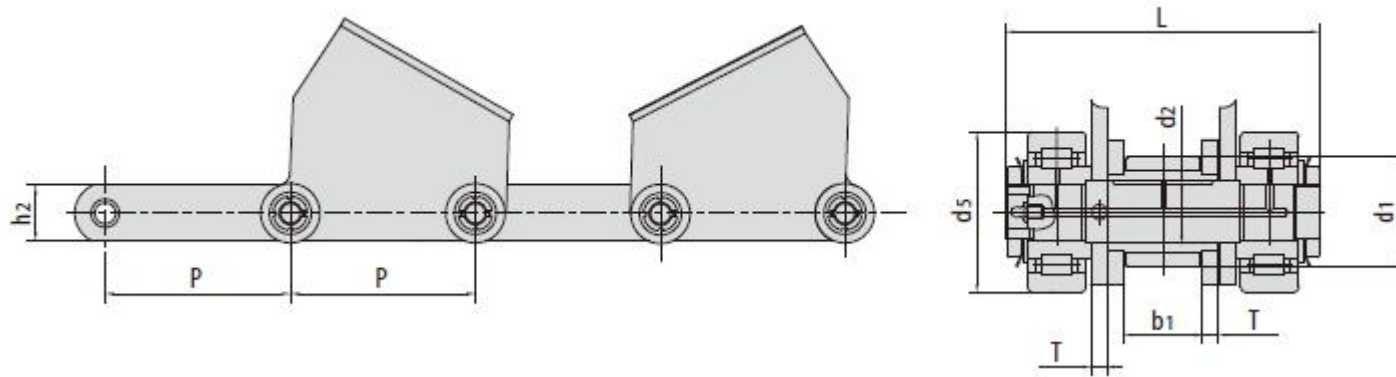
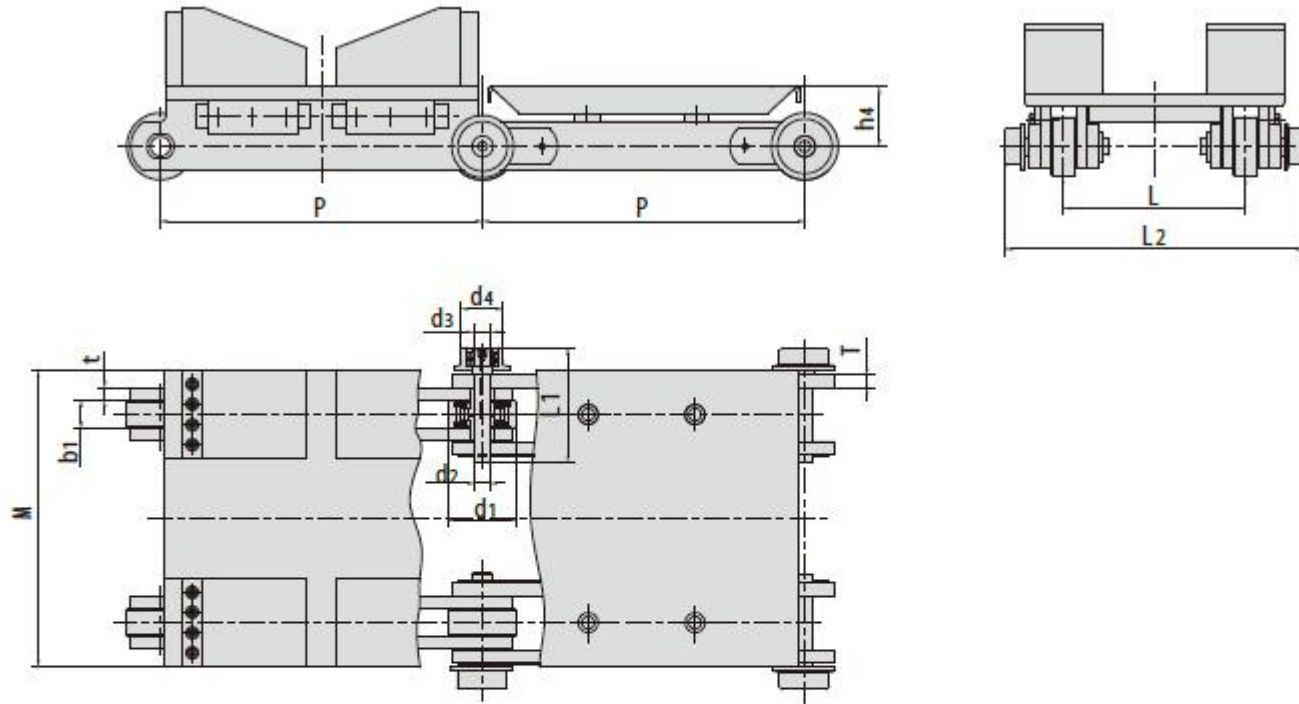


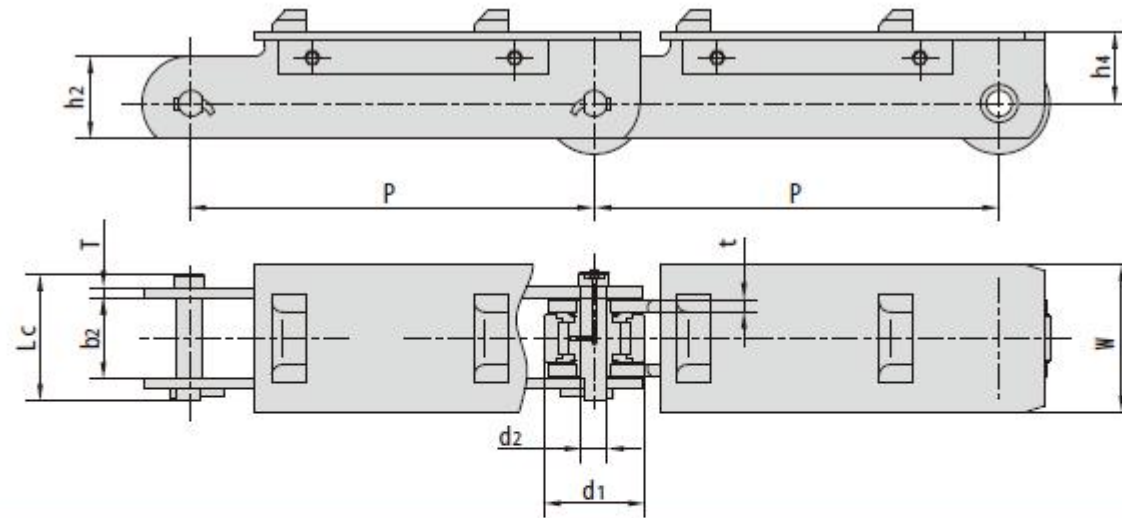
Chain No.	节距 Pitch	滚子直径 Roller diameter	销轴直径 Pin diameter	销轴长度 Pin length	链板厚度 Plate thickness	附件尺寸 Attachment dimensions					抗拉强度 Tensile strength
	P	d1 max	d2 max	L max	t/T max	G	M	h4	h	T1	Q min
	mm	mm	mm	mm	mm	mm	mm	mm	mm	mm	kN/bf
P500	500.0	170.0	80.0	281.0	50.0/25.0	470.0	250.0	175.0	269.0	30.0	1900/427419
P500F23-00	500.0	170.0	80.0	261.0	60.0/20.0	470.0	250.0	155.0	240.0	30.0	1600/359680



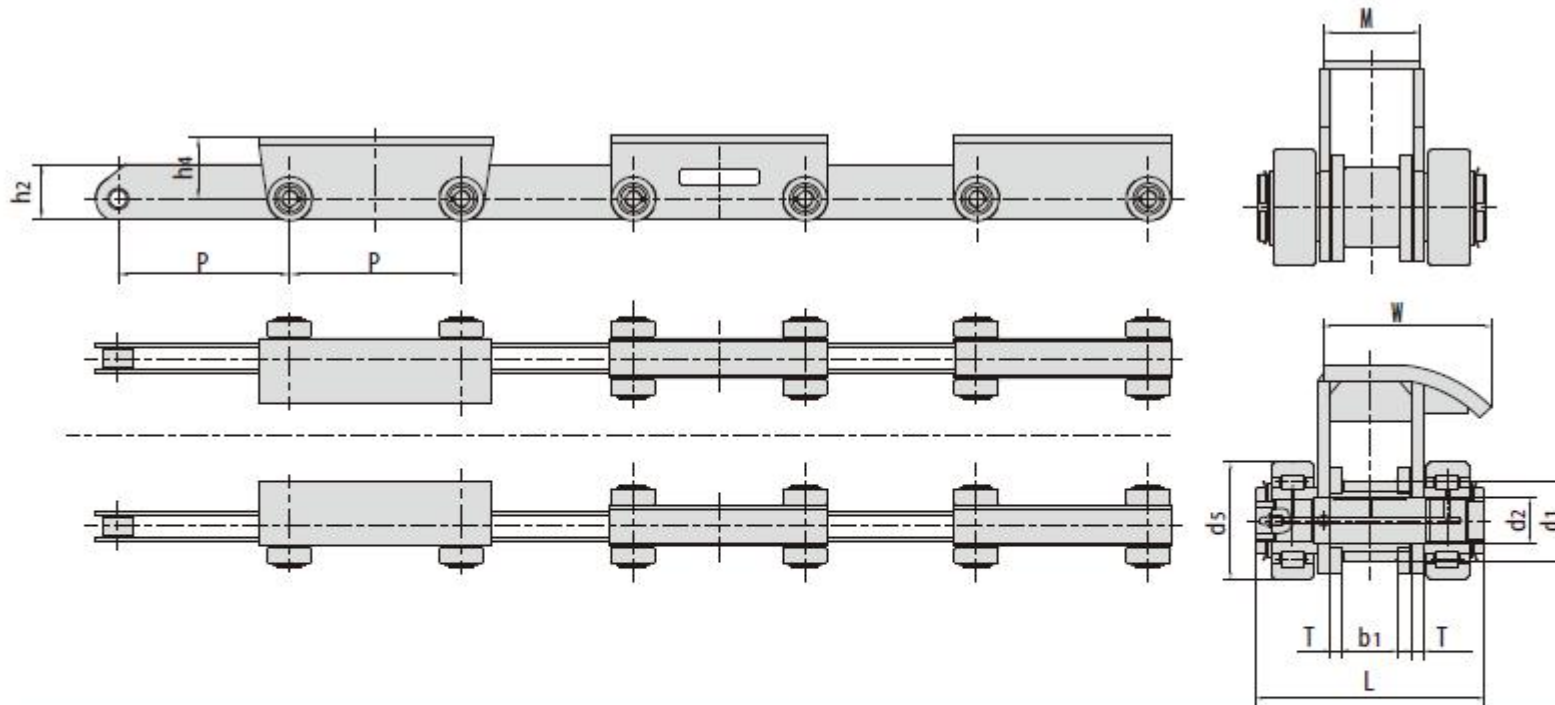
Chain No.	节距 Pitch	滚子直径 Roller diameter		内节内宽 Width between inner plates	销轴直径 Pin diameter	销轴长度 Pin length	链板厚度 Plate thickness	链板高度 Plate depth	抗拉强度 Tensile strength
	P	d1 max	d5 max	b1 min	d2 max	L max	T max	h2	Q min
	mm	mm	mm	mm	mm	mm	mm	mm	kN/bf
P 250F168	250.0	107.0	160.0	78.0	62.0	330.0	16.0	150.0	1000/224800
P 500F1	500.0	107.0	160.0	78.0	62.0	325.0	20.0	150.0	800/179966
P 500F2	500.0	107.0	160.0	76.0	62.0	310.0	16.0	150.0	700/157470
P 500F18	500.0	107.0	160.0	78.0	62.0	310.0	16.0	150.0	1000/224800



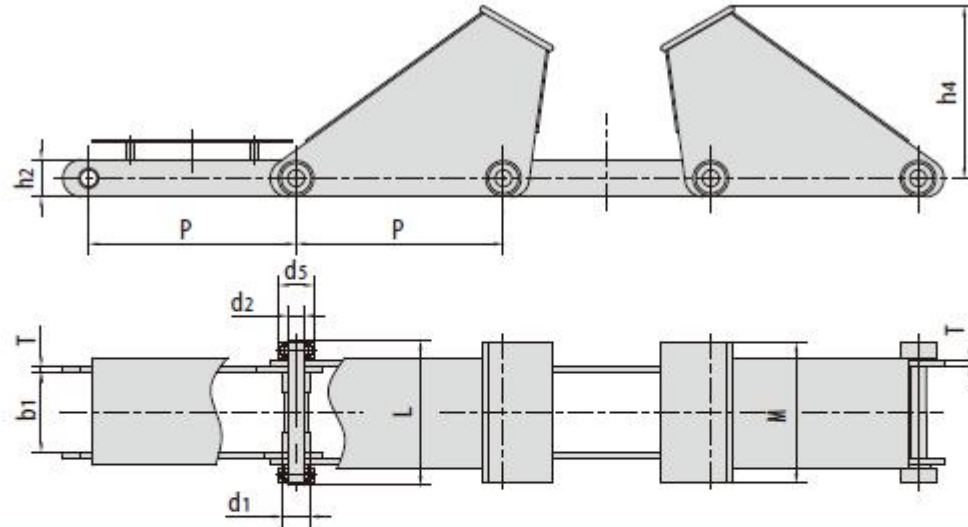
Chain No.	节距	滚子直径		内节内宽	销轴直径		销轴长度	链板厚度	附板尺寸				抗拉强度	每米长重
	Pitch	Roller diameter		Width between inner plates	Pin diameter		Pin length	Plate thickness	Attachment dimension				Tensile strength	Weight per meter
	P	d1 max	d4 max	b1 min	d2 max	d3 max	L1 max	t/T max	L	L2	M	h4	Qmin	q
	mm	mm	mm	mm	mm	mm	mm	mm	mm	mm	mm	mm	kN/bf	kg/m
P 650	650.0	135.0	85.0	56.0	32.0	35.0	232.0	25.0	420.0	690.0	600.0	120.0	750/168718	214.5
P 750	750.0	200.0	85.0	82.0	55.0	35.0	276.0	30.0/25.0	380.0	690.0	600.0	162.5	2050/460858	-



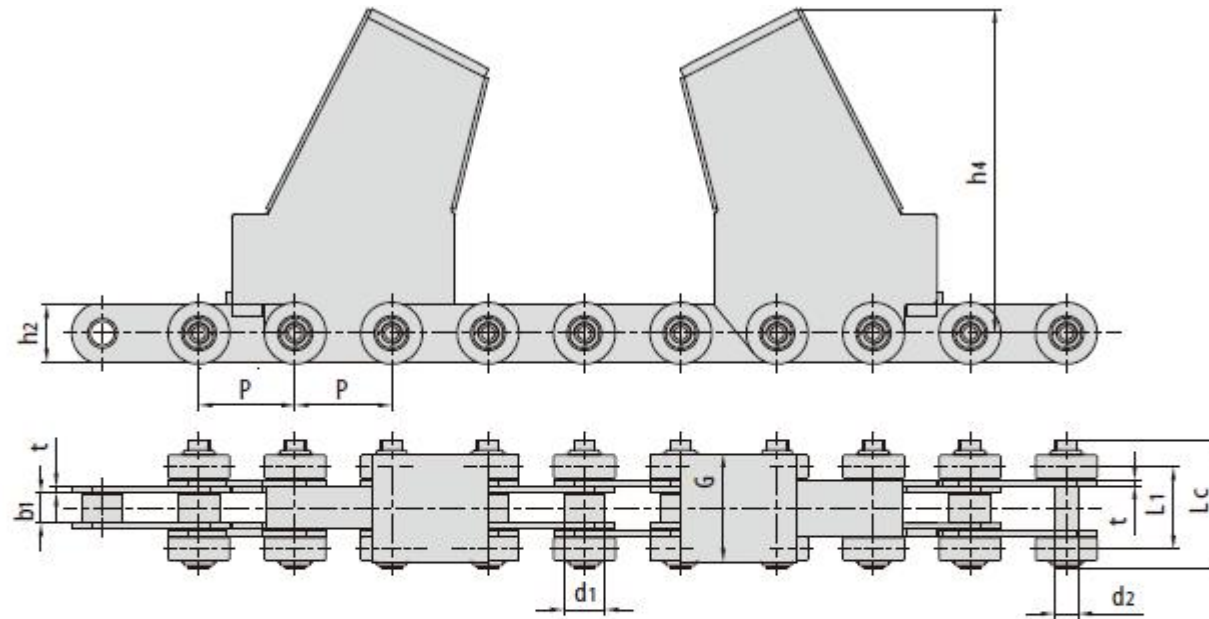
Chain No.	节距	滚子直径	外节内宽	销轴直径	销轴长度	链板高度	链板厚度	附板尺寸		平均抗拉强度
	Pitch	Roller diameter	Width between outer plates	Pin diameter	Pin length	Plate depth	Plate thickness	Attachment dimension		Average tensile strength
	P	d_1 max	b_2 min	d_2 max	L_c max	h_2	t/T max	h_4	W	Q_0
	mm	mm	mm	mm	mm	mm	mm	mm	mm	kN/bf
P600F1	600.0	150.0	117.0	38.0	187.0	122.0	18/15	105.7	220.0	1470/330687



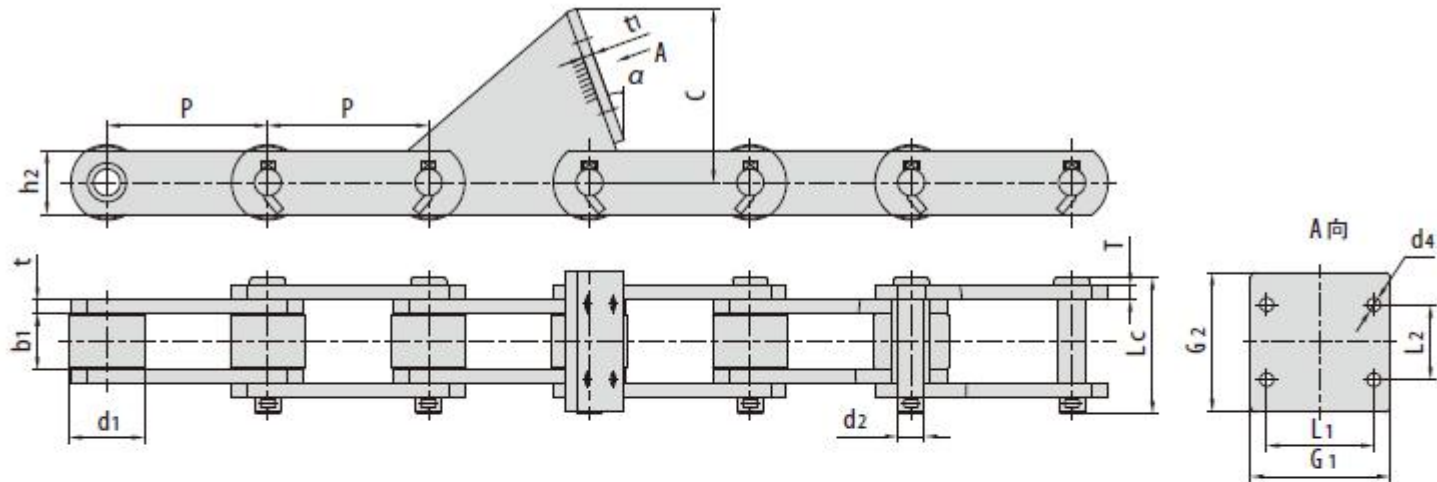
Chain No.	节距 Pitch	滚子直径 Roller diameter		内节内宽 Width between inner plates	销轴直径 Pin diameter	销轴长度 Pin length	链板厚度 Plate thickness	附板尺寸 Attachment dimension				抗拉强度 Tensile strength
	p	d1 max	d5 max	b1	d2 max	L max	T max	W	M	h2	h4	Q min
	mm	mm	mm	mm	mm	mm	mm	mm	mm	mm	mm	kN/bf
P625	625.0	107.0	160.0	78.0	62.0	310.0	16.0	227.5	130.0	200.0	215.0	700/157470



Chain No.	节距	滚子直径		内节内宽	销轴直径	链板高度	销轴长度	链板厚度	附板尺寸		抗拉强度
	Pitch	Roller diameter		Width between inner plates	Pin diameter	Plate depth	Pin length	Plate thickness	Attachment dimension		Tensile strength
	P	d1 max	d5 max	b1 min	d2 max	h2	L max	T max	h4	M	Q min
	mm	mm	mm	mm	mm	mm	mm	mm	mm	mm	kN/bf
P1000	1000.0	110.0	170.0	384.0	80.0	180.0	678.0	30.0	832.0	680.0	1800/404923

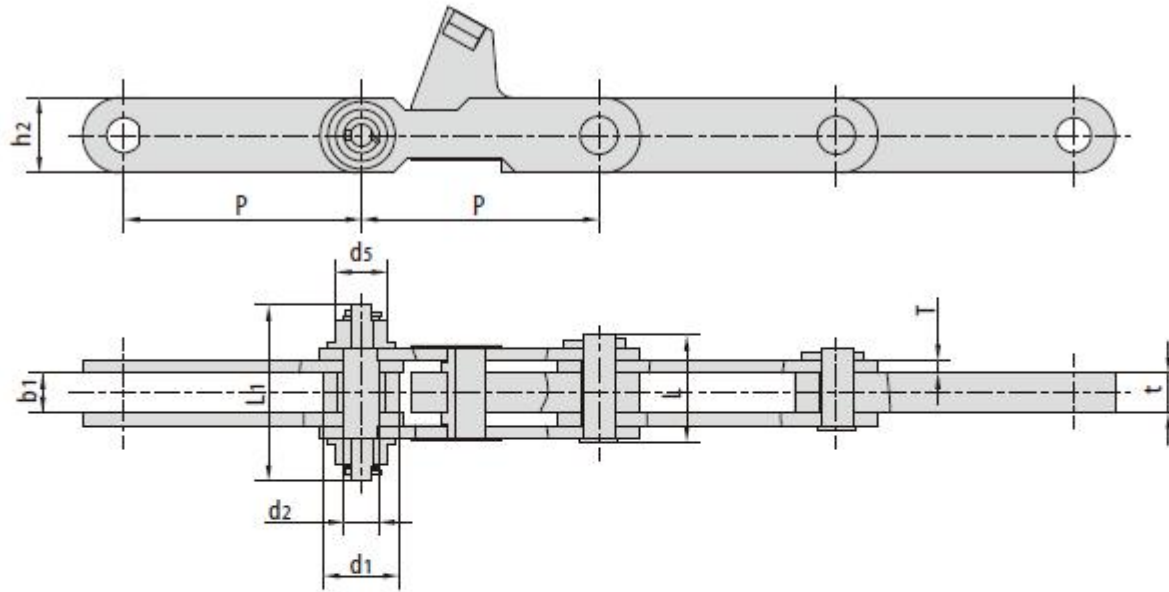


Chain No.	节距 Pitch	滚子直径 Roller diameter	内节内宽 Width between inner plates	销轴直径 Pin diameter	销轴长度 Pin length	链板厚度 Plate thickness	链板高度 Inner Plate depth	附板尺寸 Attachment dimension			抗拉强度 Tensile strength	每米长重 Weight per meter
	p	$d_{1\max}$	$b_{1\min}$	$d_{2\max}$	$L_{c\max}$	t	$h_{2\max}$	h_4	L_1	G	Q_{\min}	q
	mm	mm	mm	mm	mm	mm	mm	mm	mm	mm	kN/bf	kg/m
P250F168	250.0	107.0	78.0	62.0	330.0	16.0	150.0	840.4	213.0	280.0	1000/224800	270.5

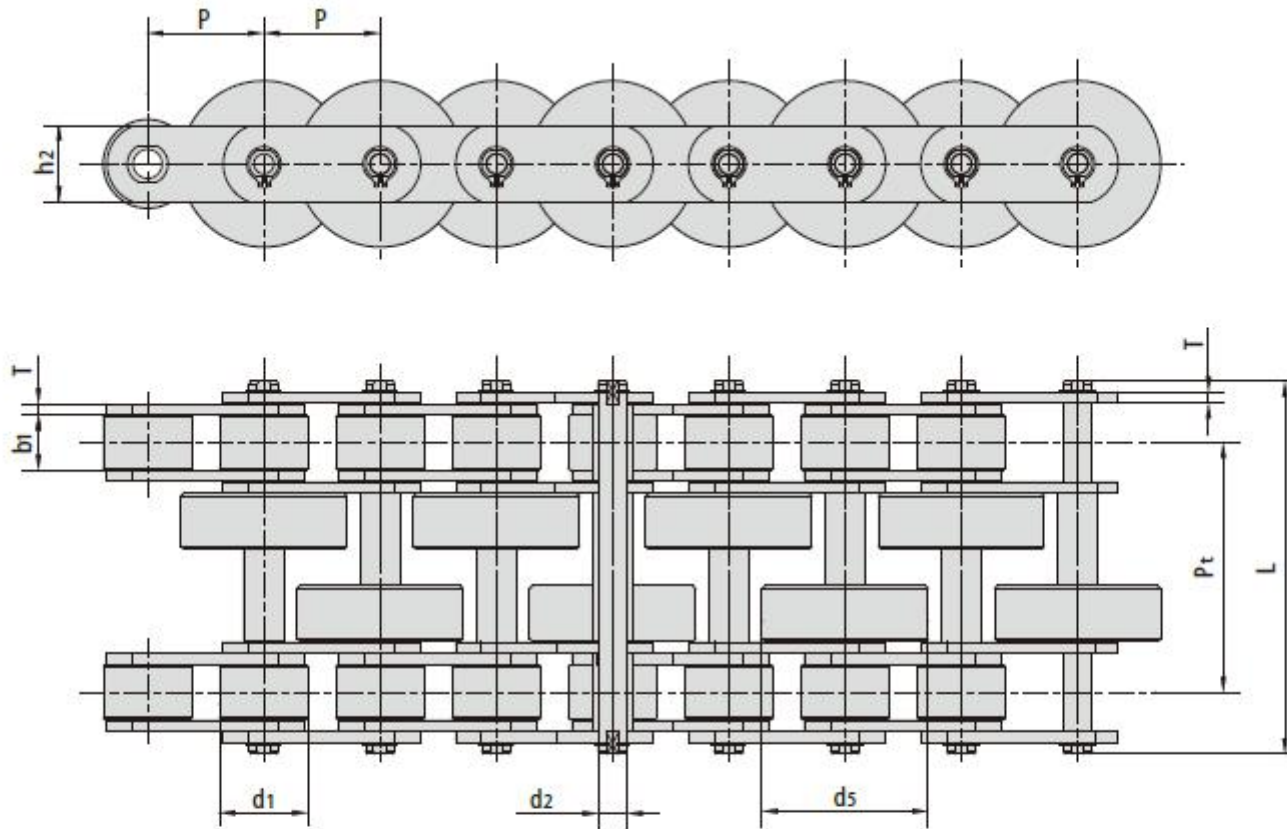


Chan No.	节距 Pitch	滚子直径 Roller diameter	内节内宽 Width between inner plates	销轴直径 Pin diameter	销轴长度 Pin length	链板高度 Inner Plate depth	链板厚度 Plate thickness	抗拉强度 Tensile strength	每米长重 Weight per meter
	p	d_1 max	b_1 min	d_2 max	L_c max	h_2 max	t/T	Q_{min}	q
	mm	mm	mm	mm	mm	mm	mm	kN/bf	kg/m
P95.25F1	95.25	44.45	33.30	15.88	81.00	38.10	8.00	180.0/40464	13.63

Chan No.	P	C	d_4	t	L_1	G_1	L_2	G_2	α
	mm	mm	mm	mm	mm	mm	mm	mm	mm
P95.25F1	95.25	102.85	7.90	6.40	63.50	82.50	44.45	82.50	20°



Chain No.	节距 Pitch	滚子直径 Roller diameter		内节内宽 Width between inner plates	销轴直径 Pin diameter		销轴长度 Pin length		链板厚度 Plate thickness	抗拉强度 Tensile strength
	P	d1 max	d5 max	b1 min	d2 max	L max	L1 max	t/T max	Q min	
	mm	mm	mm	mm	mm	mm	mm	mm	kN/bf	
P300F5	300.0	95.0	65.0	50.0	44.0	135.0	222.0	50.0/16.0	500.0/112478.0	



Chain No.	节距	滚子直径		内节内宽	销轴直径	销轴长度	链板厚度	链板高度	排距	抗拉强度	每米长重
	Pitch	Roller diameter		Width between inner plates	Pin diameter	Pin length	Plate thickness	Plate depth	Transverse pitch	Tensile strength	Weight per meter
	p	d1 max	d5 max	b1 min	d2 max	L max	T max	h2 max	Pt	Q min	q
	mm	mm	mm	mm	mm	mm	mm	mm	mm	kN/bf	kg/m
P45F8	45.0	36.0	69.0	18.0	12.0	128.0	4	30.0	108.0	160/35968	25.70
P63F4	63.0	48.0	90.0	30.0	15.88	202.0	6	41.0	135.0	200/44991	36.57
P100F316-2	100.0	60.0	140.0	39.0	22.0	256.0	8	50.0	160.0	450/101160	84.10