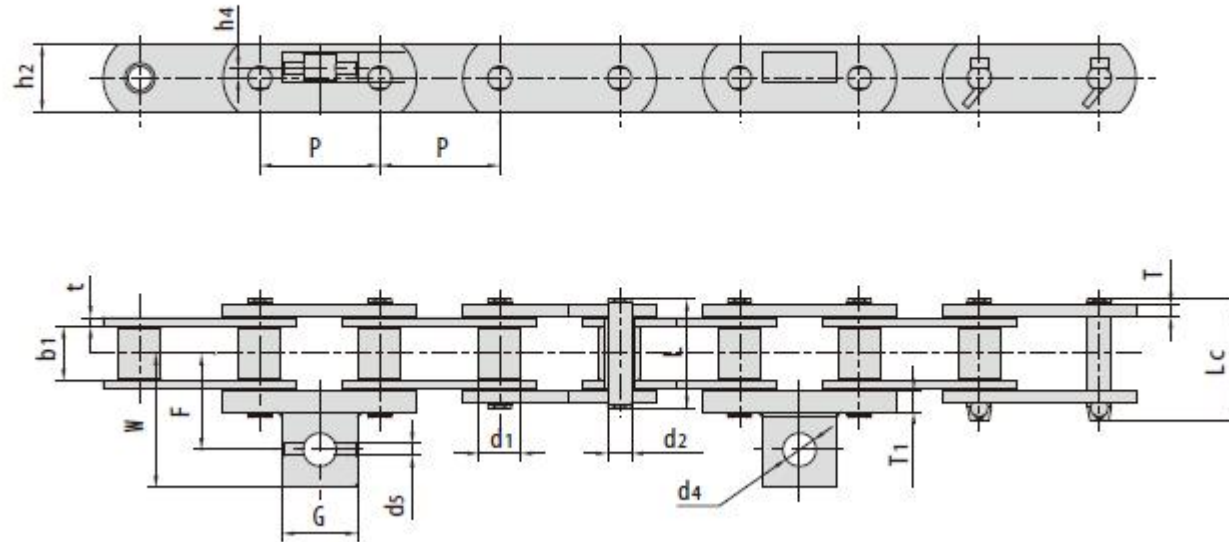


Chain No.	P	b1	h2	F1	F2	G1
	mm	mm	mm	mm	mm	mm
P 80F8	80.0	33.8	45.0	575.0	449.0	50.0
P 80F17	80.0	35.3	45.0	575.0	442.4	50.0
P 80F27	80.0	35.3	46.0	497.4	385.0	50.0
P 80F41	80.0	33.8	45.0	509.5	396.5	50.0
P 80F45	80.0	35.0	45.0	540.0	425.0	50.0
TP JP 80F 1	80.0	33.8	45.0	500.0	374.0	50.0
TP JP 80F 3	80.0	33.8	45.0	561.0	448.0	50.0
TP JP 80F 4	80.0	33.8	45.0	585.0	472.0	50.0
TP JP 80F 12	80.0	33.8	45.0	584.5	471.5	50.0

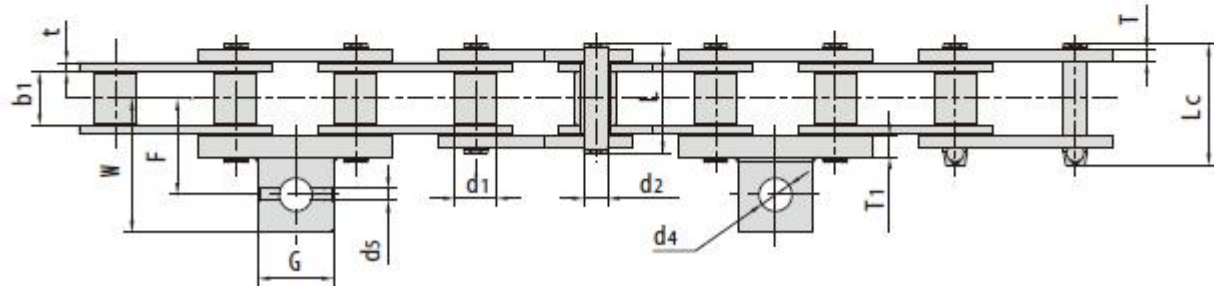
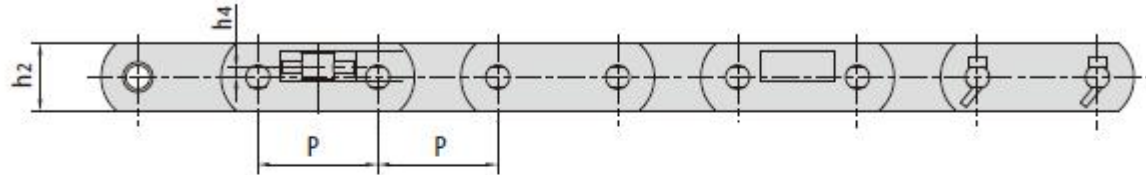




Chain No.	节距 Pitch	滚子直径 Roller diameter	内节内宽 Width between inner plates	销轴直径 Pin diameter	销轴长度 Pin length		链板高度 Plate depth	链板厚度 Plate thickness	抗拉强度 Tensile strength	每米长重 Weight per meter
	P	d <sub>1 max</sub>	b <sub>1 min</sub>	d <sub>2 max</sub>	L <sub>max</sub>	L <sub>c max</sub>	h <sub>2 max</sub>	t/T <sub>max</sub>	Q <sub>min</sub>	q
	mm	mm	mm	mm	mm	mm	mm	mm	kN/bf	kg/m
P70F23	70.00	25.40	25.2	14.61	53.4	59.7	32.00	5.6/5.0	120.0/26976	5.99
M 112F12-5-70	70.00	30.00	32.0	15.00	60.0	65.5	40.00	6.0/4.0	112.0/25178	9.50
*P75	75.00	15.00	18.0	9.80	39.5	44.3	25.00	4.0	48.0/10790	2.60
P78.11F29	78.11	31.75	38.1	16.00	-	88.6	38.10	8.0	169.0/37991	10.56
P80F7	80.00	35.76	35.3	18.00	72.0	76.7	46.00	7.0/6.2	95.0/21370	11.91
P80F8	80.00	27.94	33.8	15.90	68.4	76.0	44.45	6.0/8.0	190.0/42741	10.80
P80F17	80.00	36.00	35.3	18.00	81.0	81.5	45.00	6.0/5.0	195.0/43866	12.90
P80F19	80.00	27.94	33.8	15.90	68.4	75.8	45.00	6.0/8.0	190.0/42741	11.20
P80F21	80.00	27.94	34.0	15.90	78.4	-	45.00	6.0/8.0	190.0/42741	10.70
*P80F27	80.00	26.00	35.3	18.00	72.0	76.7	46.00	7.0/6.2	195.0/43866	9.55
P80F29	80.00	27.94	33.8	15.90	70.4	74.0	45.00	6.0/8.0	190.0/42741	10.80
*P80F30	80.00	26.00	35.0	18.00	72.0	75.8	45.00	6.0/8.0	195.0/43836	10.50
P80F39	80.00	27.95	33.8	15.87	68.4	75.8	45.00	6.0/8.1	190.0/42712	10.70
P80F45	80.00	32.00	35.0	15.90	70.6	78.0	45.00	6.0/8.0	190.0/42741	10.94
*P80F51A1	80.00	26.00	35.0	15.90	69.5	77.0	45.00	6.0/8.0	175.0/39340	10.42
P80F62	80.00	27.95	33.8	15.87	68.4	75.8	45.00	6.0/8.1	190.0/42712	10.60
*P80F69	80.00	26.00	35.0	18.00	72.0	78.0	45.00	6.0/8.0	195.0/43836	10.50
P80F87	80.00	36.00	35.3	18.00	84.0	88.5	45.00	10.0	250.0/56200	15.20

\*套筒链：表中滚子直径d1为套筒直径

\*Bush chain: d<sub>1</sub> in the table indicates the external diameter of the bush.

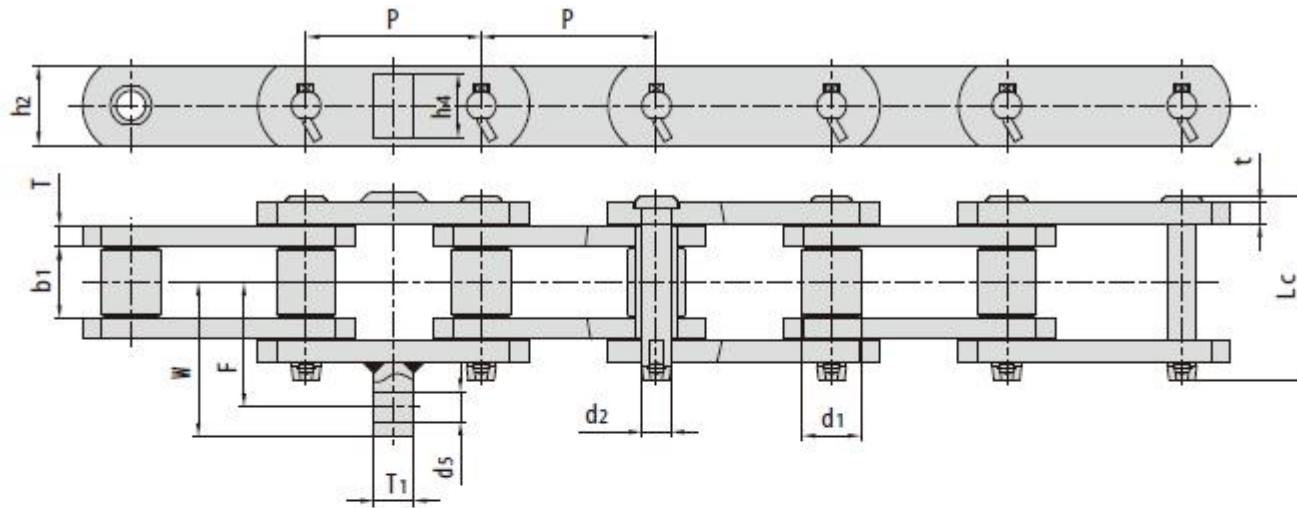




# HANGZHOU OCEAN INDUSTRY CO., LTD.

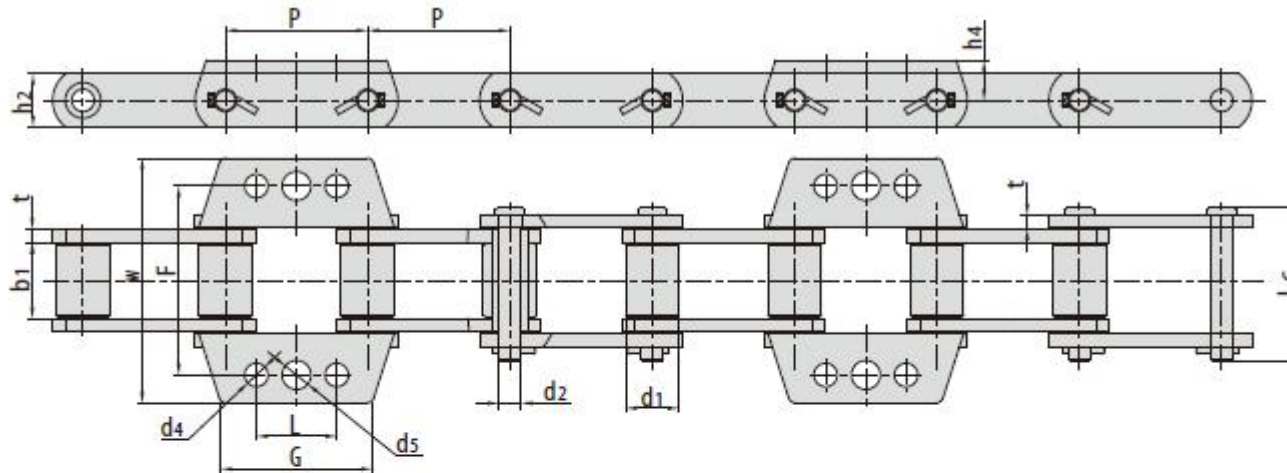
Chain No.	F	W	G	h4	d4	d5	T1
	mm	mm	mm	mm	mm	mm	mm
P70F23	43.75	64.1	40.0	6.5	22.0	7.0	5.00
M 112F 12-S-70	60.00	77.4	30.0	7.5	15.0	-	10.00
P75	32.20	46.2	30.0	5.2	14.0	-	4.00
P78.11F29	53.10	78.5	50.8	12.7	19.3	-	7.95
P80F7	56.40	81.4	50.5	5.0	21.0	8.2	6.20
P80F8	63.00	88.0	50.0	8.0	22.0	10.2	14.20
P80F17	66.30	91.3	50.0	-	24.0	-	15.00
P80F19	56.50	81.5	50.0	6.2	22.0	8.0	8.00
P80F21	57.00	82.0	50.0	-	21.5	-	8.00
P80F27	56.20	81.5	50.5	-	21.0	-	6.20
P80F29	56.50	81.5	50.0	6.2	22.0	10.0	8.00
P80F30	57.00	82.2	50.5	5.0	21.0	-	8.00
P80F39	56.50	81.5	50.0	6.2	22.0	8.0	8.00
P80F45	57.50	80.0	50.0	-	25.0	-	8.00
P80F51A 1	57.00	82.0	50.0	-	20.5	-	8.00
P80F62	56.50	81.5	50.0	6.5	22.0	8.6	8.00
P80F69	56.50	82.2	50.5	5.5	20.5	-	8.00
P80F87	58.50	72.4	48.0	-	12.0	-	10.00





Chain No.	节距 Pitch P	滚子直径 Roller diameter d <sub>1</sub>	内节内宽 Width between inner plates b <sub>1</sub>	销轴直径 Pin diameter d <sub>2</sub>	销轴长度 Pin length L	链板高度 Inner plate depth h <sub>2</sub>	链板厚度 Plate thickness t/T	抗拉强度 Tensile strength Q <sub>min</sub>	每米长重 Weight per meter q
	mm	mm	mm	mm	mm	mm	mm	kN/bf	kg/m
P66.27F10	66.27	22.23	27.00	11.10	69.00	30.00	8.00	90.0/20232	6.96

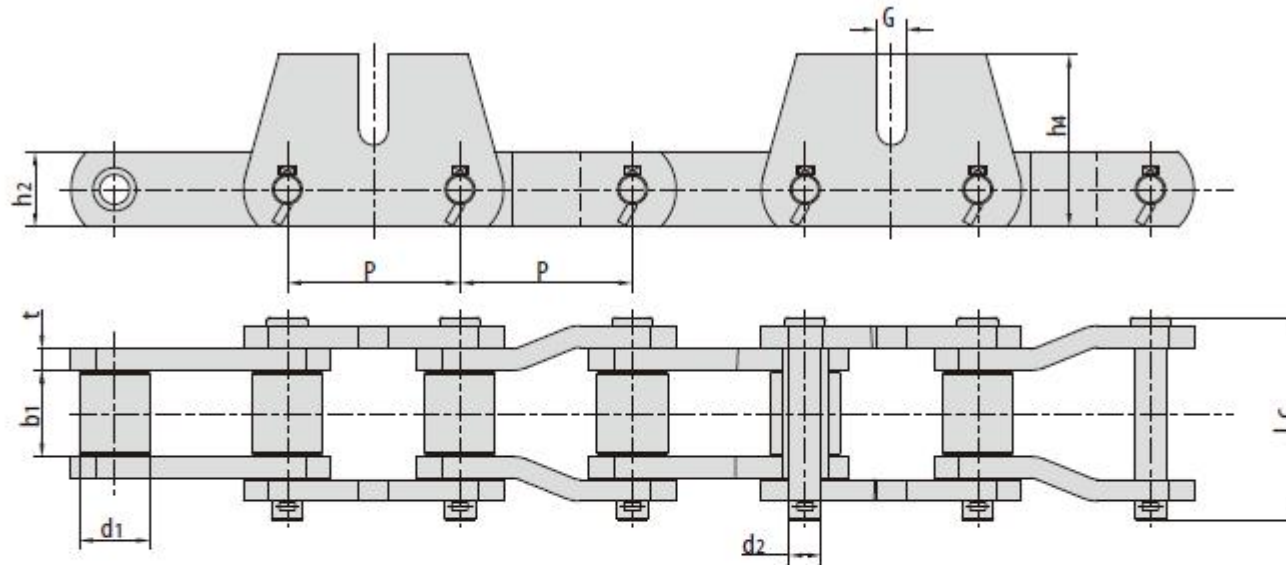
Chain No.	F	W	h <sub>4</sub>	d <sub>5</sub>	T <sub>1</sub>
	mm	mm	mm	mm	mm
P66.27F10	47.00	58.50	24.00	11.50	15.00



Chain No.	节距 Pitch P	滚子直径 Roller diameter d1 max	内节内宽 Width between inner plates b1 min	销轴直径 Pin diameter d2 max	销轴长度 Pin length Lc max	链板高度 Inner plate depth h2 max	链板厚度 Plate thickness t	抗拉强度 Tensile strength Q min	每米长重 Weight per meter q
	mm	mm	mm	mm	mm	mm	mm	kN/bf	kg/m
P101.6F189K3	101.60	38.10	54.10	16.00	109.20	44.45	9.70	182.3/40981	14.45

Chain No.	F	W	L	h4	d4	d5	G
	mm	mm	mm	mm	mm	mm	mm
P101.6F189K3	134.80	174.600	57.40	28.70	16.70	20.60	108.00



Chain No.	节距	滚子直径	内节内宽	销轴直径	销轴长度	链板高度	链板厚度	附板尺寸		抗拉强度	每米长重
	Pitch	Roller diameter	Width between inner plates	Pin diameter	Pin length	Inner plate depth	Plate thickness	Attachment dimension		Tensile strength	Weight per meter
	P	d1 max	b1 min	d2 max	Lc max	h2 max	t	h4	G	Q min	q
	mm	mm	mm	mm	mm	mm	mm	mm	mm	kN/bf	kg/m
P 101.6F 186	101.60	41.40	50.80	19.12	120.00	44.45	12.70	101.60	16.80	320.0/1936	22.50





# HANGZHOU OCEAN INDUSTRY CO., LTD.

Chain No.	节距	滚子直径	内节内宽	销轴直径	销轴长度	链板高度	链板厚度	附板尺寸				抗拉强度	每米长重
	Pitch	Roller diameter	Width between inner plates	Pin diameter	Pin length	Inner plate depth	Plate thickness	Attachment dimension				Tensile strength	Weight per meter
	p	d1 max	b1 min	d2 max	Lc max	h2 max	t/T	F	T1	h4	G	Q min	q
	mm	mm	mm	mm	mm	mm	mm	mm	mm	mm	mm	kN/bf	kg/m
P80F53	80.00	42.00	45.00	20.00	94.00	50.00	8.00/10.00	259.00	12.00	65.00	50.00	180.0/40464	23.10