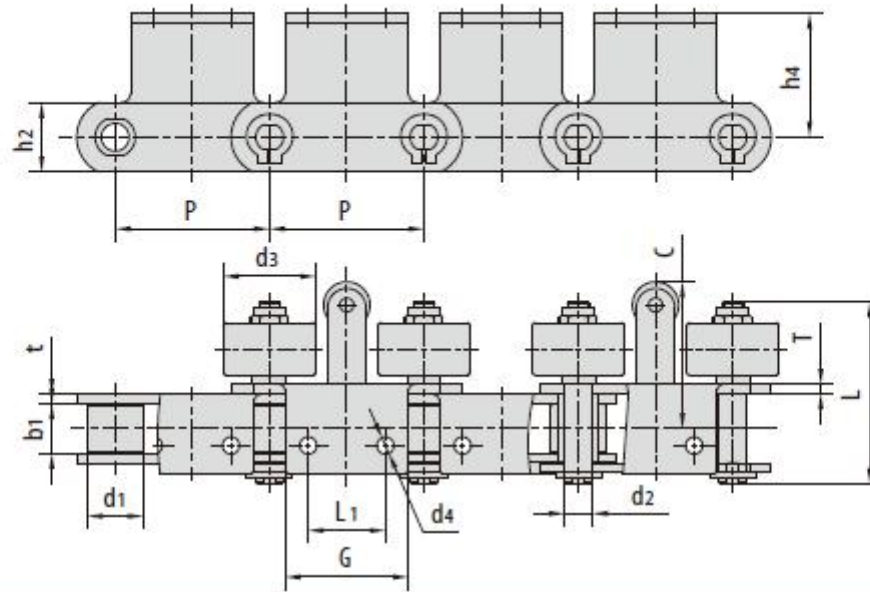
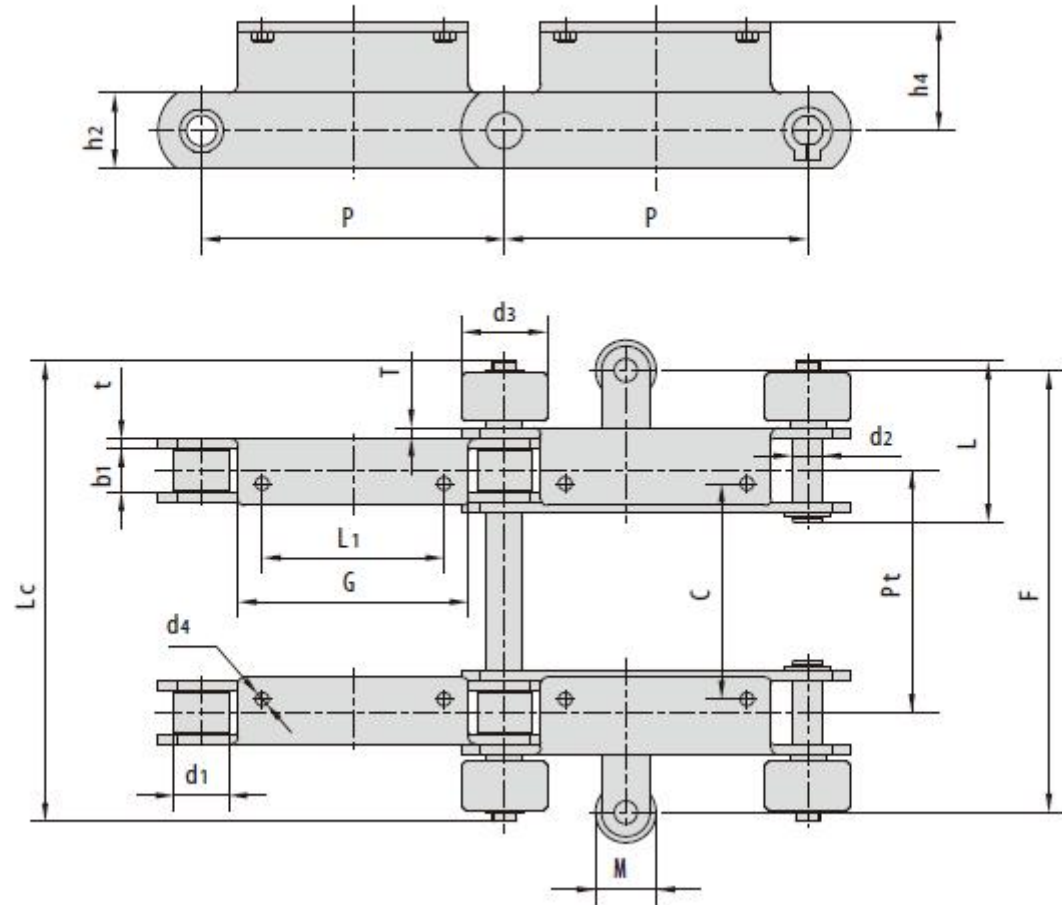


Chain No.	节距	滚子直径	内节内宽	销轴直径	销轴长度	链板高度		链板厚度	附件尺寸				抗拉强度	
	Pitch	Roller diameter	Width between inner plates	Pin diameter	Pin length	Inner plate depth	Inner plate depth	Plate thickness	Attachment dimension				Tensile strength	
	p	d1 max	b1 min	d2 max	L max	h1	h2	t/T	A	B	C	d3	Q min	
	mm	mm	mm	mm	mm	mm	mm	mm	mm	mm	mm	mm	mm	kN/bf
M 112F45-P-160	160.0	60.0	32.0	15.0	71.0	60.0	40.0	6.0	70.0	120.0	140.0	90.0	140.0/31472	



Chain No.	节距	滚子直径	内节内宽	销轴直径	销轴长度	链板高度	链板厚度	附件尺寸						抗拉强度	
	Pitch	Roller diameter	Width between inner plates	Pin diameter	Pin length	Inner plate depth	Plate thickness	Attachment dimension						Tensile strength	
	P	d1 max	b1 min	d2 max	L max	h2	t/T	C	L1	G	h4	d3	d4	Q min	
	mm	mm	mm	mm	mm	mm	mm	mm	mm	mm	mm	mm	mm	mm	kN/bf
M 112F58A2-SR1-S-100	100.0	36.0	32.0	18.0	119.0	45.0	6.0	95.0	50.0	80.0	80.0	60.0	11.0	112.0/25178	
P 100F321-SR 1	100.0	36.0	32.0	18.0	111.5	45.0	6.0	95.0	50.0	80.0	80.0	60.0	12.0	112.0/25178	
P 200F131A2SR	100.0	45.0	36.0	25.0	133.2	62.0	8.0	107.5	90.0	140.0	120.0	70.0	11.0	224.0/50355	
P 250F115A2	250.0	43.0	36.0	21.0	135.3	60.0	8.0	101.0	140.0	190.0	80.0	65.0	12.0	224.0/50355	

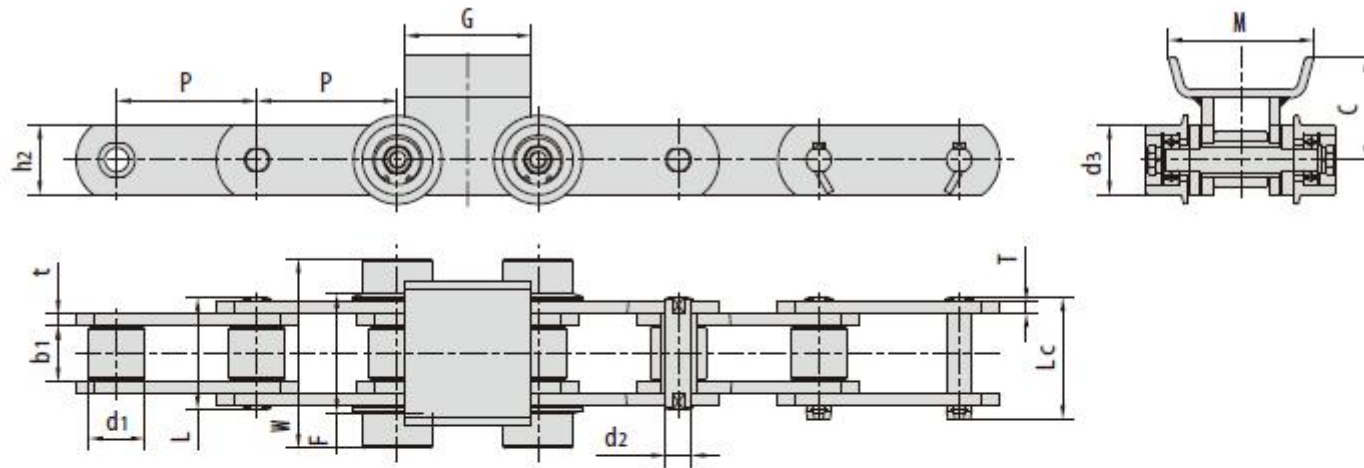




HANGZHOU OCEAN INDUSTRY CO., LTD.

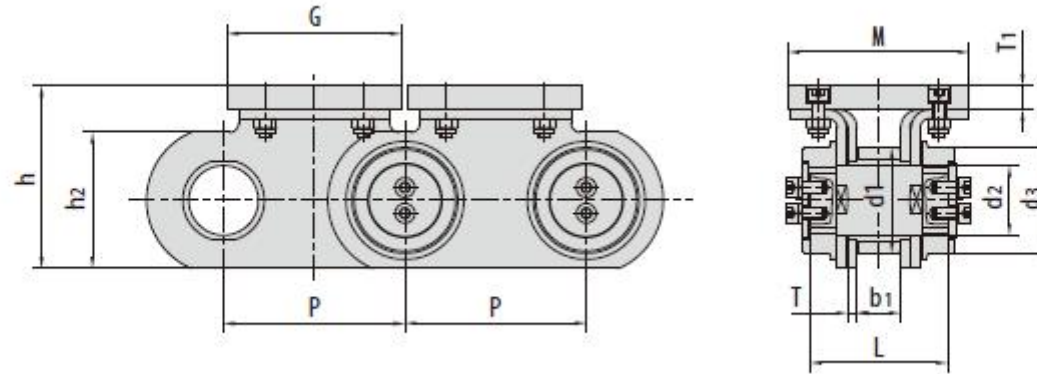
Chain No.	节距 Pitch	滚子直径 Roller diameter		内节内宽 Width between inner plates	销轴直径 Pin diameter	销轴长度 Pin length		链板高度 Inner plate depth	链板厚度 Plate thickness	抗拉强度 Tensile strength	每米长重 Weight per meter
	P	d1 max	d3 max	b1 min	d2 max	L max	Lc max	h2	t/T	Q min	q
	mm	mm	mm	mm	mm	mm	mm	mm	mm	kN/bf	kg/m
P 250F 137A2-SR	250.0	50.0	80.0	47.0	25.0	152.2	716.8	72.0	10.0	224.0/50355	59.2
P 250F 140A2SR	250.0	45.0	70.0	36.0	25.0	133.2	380.0	62.0	8.0	224.0/50355	43.4
P 250F 159A2SR	250.0	50.0	80.0	47.0	25.0	152.2	1016.8	72.0	10.0	224.0/50355	60.0

Chain No.	P	L1	G	C	F	Pt	h4	M	d4
	mm	mm	mm	mm	mm	mm	mm	mm	mm
P 250F 137A2-SR	250.0	140.0	180.0	518.0	658.0	518.0	90.0	50.0	11.0
P 250F 140A2SR	250.0	150.0	190.0	178.0	365.0	200.0	90.0	50.0	12.0
P 250F 159A2SR	250.0	140.0	180.0	818.0	958.0	818.0	90.0	50.0	11.0

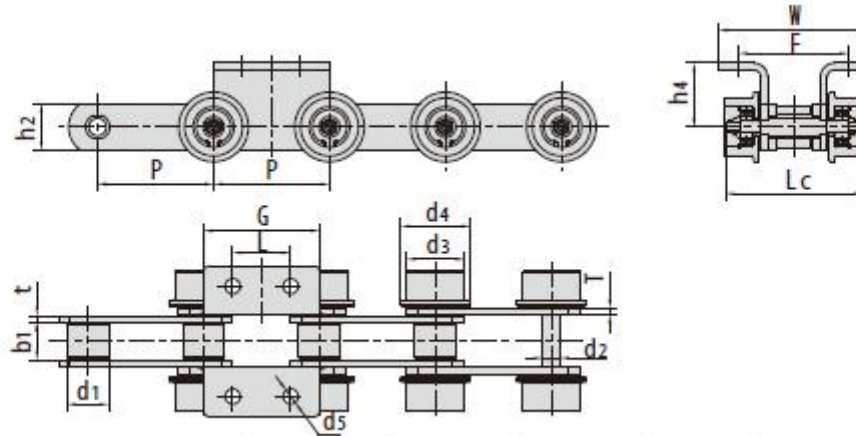


Chain No.	节距	滚子直径		内节内宽	销轴直径	销轴长度		链板高度	链板厚度	抗拉强度	每米长重
	Pitch	Roller diameter		Width between inner plates	P in diameter	P in length		Inner plate depth	Plate thickness	Tensile strength	Weight per meter
	P	d1 max	d3 max	b1 min	d2 max	L max	Lc max	h2	t/T	Q min	q
	mm	mm	mm	mm	mm	mm	mm	mm	mm	kN/bf	kg/m
P 100F297	100.0	40.0	50.0	40.0	18.0	80.5	87.5	50.0	8.0	200.0/44960	15.5

Chain No.	C	F	W	G	M
	mm	mm	mm	mm	mm
P 100F297	77.0	85.0	135.0	90.0	105.0

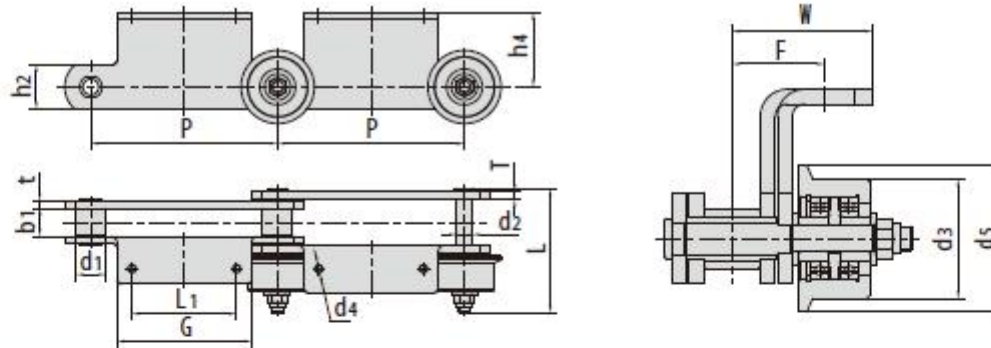


Chain No.	节距	滚子直径	内节内宽	销轴直径	销轴长度	链板高度	链板厚度	附件尺寸					抗拉强度	每米长重
	Pitch	Roller diameter	Width between inner plates	Pin diameter	Pin length	Inner plate depth	Plate thickness	Attachment dimension					Tensile strength	Weight per meter
	P	d1 max	b1 min	d2 max	L max	h2	T	G	M	h	T1	d3	Q min	q
	mm	mm	mm	mm	mm	mm	mm	mm	mm	mm	mm	mm	kN/bf	kg/m
P 100F217	100.0	70.0	29.0	46.0	114.0	90.0	6.0	95.0	120.0	115.0	16.0	70.0	400.0/89920	39.6
P 120F18-TP	120.0	70.0	29.0	46.0	91.0	90.0	6.0	115.0	120.0	121.0	16.0	70.0	300.0/67440	50.2
P 120F19-TP	120.0	70.0	29.0	46.0	91.0	90.0	6.0	115.0	120.0	121.0	5.0	70.0	300.0/67440	41.8



Chain No.	节距 Pitch	滚子直径 Roller diameter			内节内宽 Width between inner plates	销轴直径 Pin diameter	销轴长度 Pin length	链板高度 Inner plate depth	链板厚度 Plate thickness	抗拉强度 Tensile strength	每米长重 Weight per meter
	P	d1 max	d3 max	d4 max	b1 min	d2 max	Lc max	h2	t/T	Q min	q
	mm	mm	mm	mm	mm	mm	mm	mm	mm	kN/bf	kg/m
P100F300K2-SR2	100.0	36.0	50.0	60.0	32.0	15.0	118.0	40.0	6.0	100.0/22480	14.8

Chain No.	L	G	F	W	h4	d5
	mm	mm	mm	mm	mm	mm
P100F300K2-SR2	50.0	100.0	95.0	130.0	55.0	13.0



Chain No.	节距	滚子直径			内节内宽	销轴直径	销轴长度	链板高度	链板厚度	抗拉强度	每米长重
	Pitch	Roller diameter			Width between inner plates	Pin diameter	Pin length	Inner plate depth	Plate thickness	Tensile strength	Weight per meter
	P	d1 max	d3 max	d5 max	b1 min	d2 max	L max	h2	t/T	Q min	q
	mm	mm	mm	mm	mm	mm	mm	mm	mm	kN	kg/m
P 250F 100A2	250.0	40.0	80.0	98.0	38.0	21.0	166.0	60.0	10.0	224.0/50355	27.4
P 250F 171A2	250.0	45.0	80.0	98.0	38.0	25.0	166.0	80.0	10.0	315.0/70812	30.5
P 250F 197A2	250.0	50.0	80.0	98.0	38.0	30.0	173.5	90.0	12.0	450.0/101160	37.5

Chain No.	L1	G	F	W	h4	d4
	mm	mm	mm	mm	mm	mm
P 250F 100A2	140.0	180.0	62.0	89.2	100.0	11.0
P 250F 171A2	140.0	180.0	62.0	82.5	100.0	11.0
P 250F 197A2	140.0	180.0	66.0	97.5	100.0	11.5