



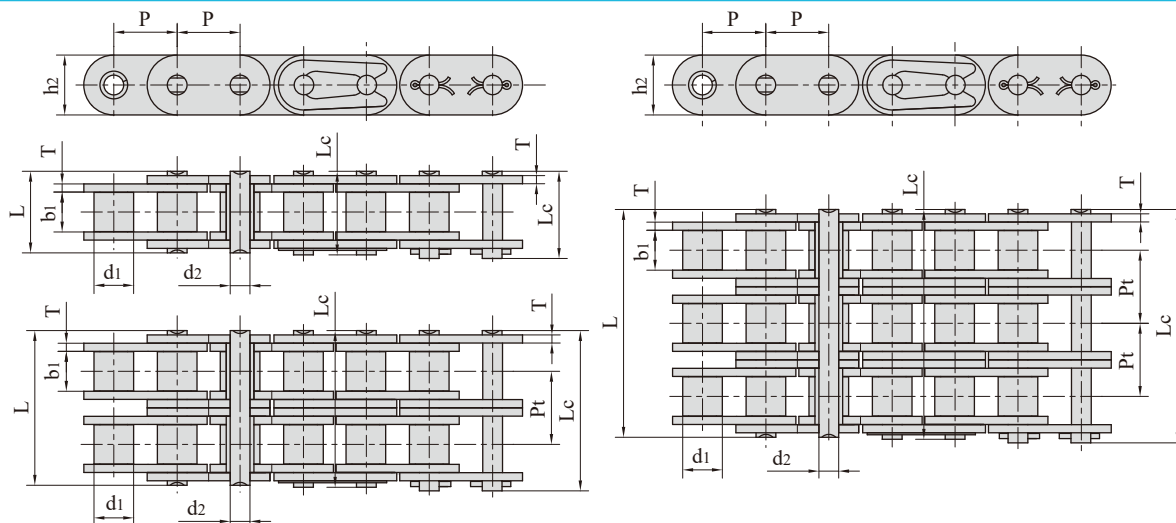
Conveying roller chains

**杭州四海传动件有限公司**  
**Hangzhou Ocean Industry CO. Ltd.**

**Tel:0086-571-88842852**  
**Fax:0086-571-88844378**  
**E-mail:oceaindustry@vip.163.com**

**电话:0086-571-88842852**  
**传真:0086-571-88844378**  
**邮箱:oceaindustry@vip.163.com**

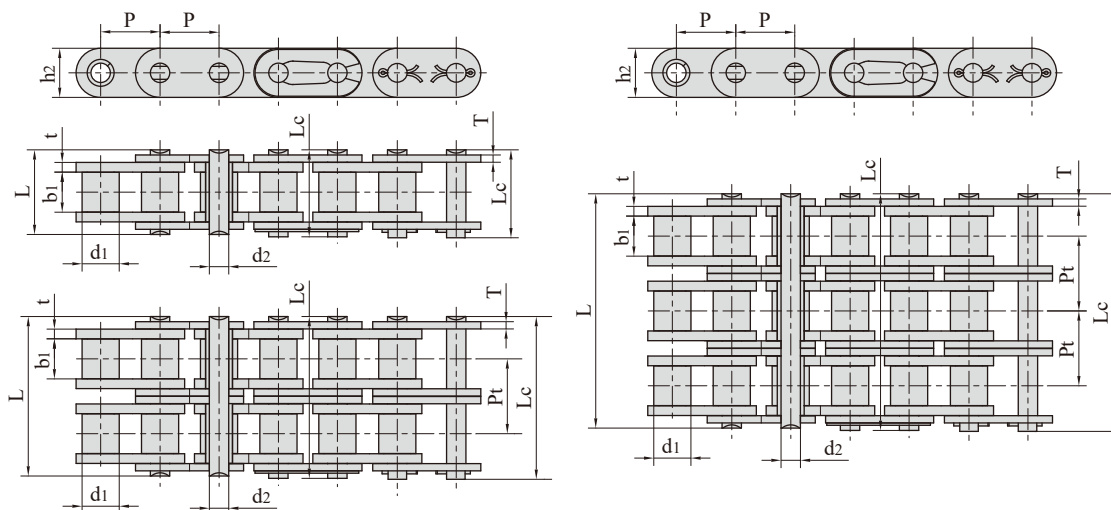
Roller chains with straight side plates (A series)



Chain No.	Pitch P	Roller diameter d1 max	Width between inner plates b1 min	Pin diameter d2 max	Pin length		Inner plate depth h2 max	Plate thickness T max	Transverse pitch Pt	Tensile strength Q min	Average tensile strength Q0	Weight per meter q	
					L max	Lc max							
					mm	mm							mm
*C35-1	9.525	5.08	4.77	3.58	13.3	14.3	9.00	1.30	-	7.9/1795	10.8	0.41	
C08A-1	C40-1	12.700	7.95	7.85	3.96	16.6	18.8	12.00	1.50	-	14.1/3273	17.5	0.73
C10A-1	C50-1	15.875	10.16	9.40	5.08	20.7	23.3	15.09	2.03	-	22.2/5045	29.4	1.23
C12A-1	C60-1	19.050	11.91	12.57	5.94	25.9	28.3	18.00/18.20	2.42	-	31.8/7227	41.5	1.81/1.83
C16A-1	C80-1	25.400	15.88	15.75	7.92	32.7	36.5	24.00	3.25	-	56.7/12886	69.4	3.09
C20A-1	C100-1	31.750	19.05	18.90	9.53	40.4	44.7	30.00	4.00	-	88.5/20114	109.2	4.56
C24A-1	C120-1	38.100	22.23	25.22	11.10	50.3	54.3	35.70	4.80	-	127.0/28864	156.3	6.86
C28A-1	C140-1	44.450	25.40	25.22	12.70	54.4	59.0	41.00	5.60	-	172.4/39182	212.0	8.49
C32A-1	C160-1	50.800	28.58	31.55	14.27	64.8	69.6	47.80	6.40	-	226.8/51545	278.9	11.50
C08A-2	C40-2	12.700	7.95	7.85	3.96	31.0	33.2	12.00	1.50	14.38	28.2/6409	35.9	1.43
C10A-2	C50-2	15.875	10.16	9.40	5.08	38.9	41.4	15.09	2.03	18.11	44.4/10091	58.1	2.42
C12A-2	C60-2	19.050	11.91	12.57	5.94	48.8	51.1	18.00/18.20	2.42	22.78	63.6/14455	82.1	3.58/3.62
C16A-2	C80-2	25.400	15.88	15.75	7.92	62.7	65.8	24.00	3.25	29.29	113.4/25773	141.8	6.12
C20A-2	C100-2	31.750	19.05	18.90	9.53	76.4	80.5	30.00	4.00	35.76	177.0/40227	219.4	9.08
C24A-2	C120-2	38.100	22.23	25.22	11.10	95.8	99.7	35.70	4.80	45.44	254.0/57727	314.9	13.60
C28A-2	C140-2	44.450	25.40	25.22	12.70	103.3	107.9	41.00	5.60	48.87	344.8/78364	427.5	16.86
C32A-2	C160-2	50.800	28.58	31.55	14.27	123.3	128.1	47.80	6.40	58.55	453.6/103091	562.4	22.90
C08A-3	C40-3	12.700	7.95	7.85	3.96	45.4	47.6	12.00	1.50	14.38	42.3/9614	50.0	2.14
C10A-3	C50-3	15.875	10.16	9.40	5.08	57.0	59.5	15.09	2.03	18.11	66.6/15136	77.8	3.62
C12A-3	C60-3	19.050	11.91	12.57	5.94	71.5	73.9	18.00/18.20	2.42	22.78	95.4/21682	111.1	5.36/5.41
C16A-3	C80-3	25.400	15.88	15.75	7.92	91.7	95.1	24.00	3.25	29.29	170.1/38659	198.4	9.10
C20A-3	C100-3	31.750	19.05	18.90	9.53	112.2	116.3	30.00	4.00	35.76	265.5/60341	309.6	13.60
C24A-3	C120-3	38.100	22.23	25.22	11.10	141.4	145.2	35.70	4.80	45.44	381.0/86591	437.2	20.43
C28A-3	C140-3	44.450	25.40	25.22	12.70	152.2	156.8	41.00	5.60	48.87	517.2/117545	593.3	25.23
C32A-3	C160-3	50.800	28.58	31.55	14.27	181.8	186.6	47.80	6.40	58.55	680.4/154636	780.6	34.19

\*Bush chain: d1 in the table indicates the external diameter of the bush.

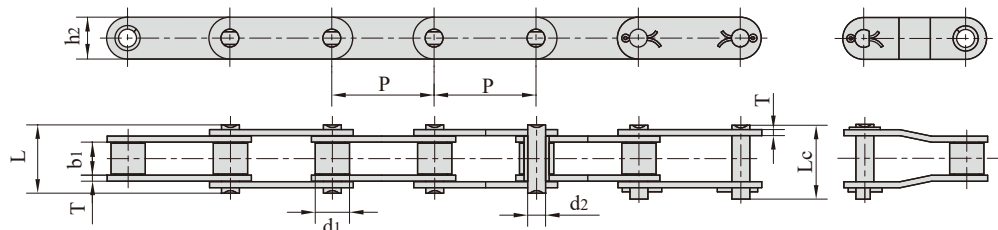
Roller chains with straight side plates (B series)



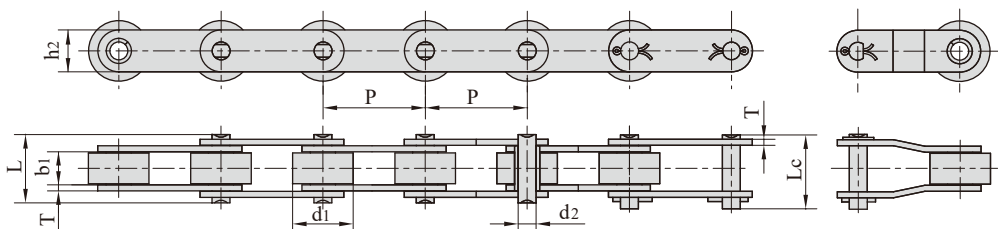
Chain No.	Pitch	Roller diameter	Width between inner plates	Pin diameter	Pin length		Inner plate depth	Plate thickness	Transverse pitch	Tensile strength	Average tensile strength	Weight per meter
	P	d1	b1	d2	L	Lc	h2	t/T	Pt	Q <sub>min</sub>	Q <sub>0</sub>	q
	mm	mm	mm	mm	mm	mm	mm	mm	mm	kN/lbf	kN	kg/m
C08B-1	12.700	8.51	7.75	4.45	16.7	18.2	11.8	1.60	-	18.0/4091	19.5	0.80
C10B-1	15.875	10.16	9.65	5.08	19.5	20.9	14.7	1.70	-	22.4/5091	27.9	1.06
C12B-1	19.050	12.07	11.68	5.72	22.5	25.2	16.0	1.85	-	29.0/6591	32.2	1.32
C16B-1	25.400	15.88	17.02	8.28	36.1	39.1	21.0/24.0	4.15/3.10	-	60.0/13636	72.8	3.08/3.49
C20B-1	31.750	19.05	19.56	10.19	41.3	45.0	26.4	4.50/3.50	-	95.0/21591	106.7	4.16
C24B-1	38.100	25.40	25.40	14.63	53.4	57.8	33.2	6.00/4.80	-	160.0/36364	178.0	7.47
C28B-1	44.450	27.94	30.99	15.90	65.1	69.5	36.7	7.50/6.00	-	200.0/45455	222.0	9.90
C32B-1	50.800	29.21	30.99	17.81	66.0	71.0	42.0	7.00/6.00	-	250.0/56818	277.5	10.45
C08B-2	12.700	8.51	7.75	4.45	31.2	32.2	11.8	1.60	13.92	32.0/7273	38.7	1.45
C10B-2	15.875	10.16	9.65	5.08	36.1	37.5	14.7	1.70	16.59	44.5/10114	57.8	2.00
C12B-2	19.050	12.07	11.68	5.72	42.0	44.7	16.0	1.85	19.46	57.8/13136	66.1	2.62
C16B-2	25.400	15.88	17.02	8.28	68.0	71.0	21.0/24.0	4.15/3.10	31.88	106.0/24091	133.0	6.10/6.92
C20B-2	31.750	19.05	19.56	10.19	77.8	81.5	26.4	4.50/3.50	36.45	170.0/38636	211.2	8.23
C24B-2	38.100	25.40	25.40	14.63	101.7	106.2	33.2	6.00/4.80	48.36	280.0/63636	319.2	14.77
C28B-2	44.450	27.94	30.99	15.90	124.6	129.1	36.7	7.50/6.00	59.56	360.0/81818	406.8	19.82
C32B-2	50.800	29.21	30.99	17.81	124.6	129.6	42.0	7.00/6.00	58.55	450.0/102273	508.5	20.94
C08B-3	12.700	8.51	7.75	4.45	45.1	46.1	11.8	1.60	13.92	47.5/10795	57.8	2.10
C10B-3	15.875	10.16	9.65	5.08	52.7	54.1	14.7	1.70	16.59	66.7/15159	84.5	2.87
C12B-3	19.050	12.07	11.68	5.72	61.5	64.2	16.0	1.85	19.46	86.7/19705	101.8	3.89
C16B-3	25.400	15.88	17.02	8.28	99.8	102.9	21.0/24.0	4.15/3.10	31.88	160.0/36364	203.7	9.12/10.34
C20B-3	31.750	19.05	19.56	10.19	114.2	117.9	26.4	4.50/3.50	36.45	250.0/56818	290.0	11.34
C24B-3	38.100	25.40	25.40	14.63	150.1	154.6	33.2	6.00/4.80	48.36	425.0/96591	493.0	22.10
C28B-3	44.450	27.94	30.99	15.90	184.2	188.7	36.7	7.50/6.00	59.56	530.0/120454	609.5	29.64
C32B-3	50.800	29.21	30.99	17.81	183.2	188.2	42.0	7.00/6.00	58.55	670.0/152273	770.5	31.27

## Double pitch conveyor chains

Small Roller Type



Large Roller Type

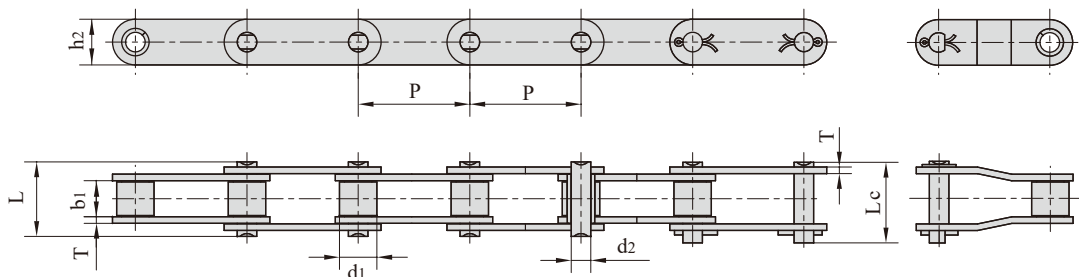


ISO Chain No.	ANSI Chain No.	Pitch P mm	Roller diameter	Width between inner plates	Pin diameter	Pin length		Inner plate depth	Plate thickness	Tensile strength	Average tensile strength	Weight per meter
			d1 max mm	b1 min mm	d2 max mm	L max mm	Lc max mm	h2 max mm	T max mm	Q min kN/lbf	Q0 kN	q kg/m
C208A C208AL	C2040 C2042	25.40	7.95 15.88	7.85	3.96	16.6	17.8	12.0	1.50	14.1/3205	16.7	0.50 0.84
C208AH C208AHL	C2040H C2042H	25.40	7.95 15.88	7.85	3.96	18.8	19.9	12.0	2.03	14.1/3205	17.2	0.65 1.00
C208B C208BL		25.40	8.51 15.88	7.75	4.45	16.7	18.2	11.8	1.60	18.0/4091	19.4	0.55 0.89
C210A C210AL	C2050 C2052	31.75	10.16 19.05	9.40	5.08	20.7	22.2	15.0	2.03	22.2/5045	28.1	0.78 1.27
C210B C210BL		31.75	10.16 19.05	9.65	5.08	19.5	20.9	14.7	1.70	22.4/5036	24.6	0.75 1.21
C212A C212AL	C2060 C2062	38.10	11.91 22.23	12.57	5.94	25.9	27.7	18.0	2.42	31.8/7227	36.8	1.12 1.61
C212AH C212AHL	C2060H C2062H	38.10	11.91 22.23	12.57	5.94	29.2	31.6	18.0	3.25	31.8/7227	41.6	1.44 2.07
C212B C212BL		38.10	12.07 22.23	11.68	5.72	22.5	24.2	16.0	1.85	29.0/6519	31.9	0.90 1.55
C216A C216AL	C2080 C2082	50.80	15.88 28.58	15.75	7.92	32.7	36.5	24.0	3.25	56.7/12886	65.7	2.08 3.12
C216AH C216AHL	C2080H C2082H	50.80	15.88 28.58	15.75	7.92	36.2	39.4	24.0	4.00	56.7/12886	70.0	2.54 3.58
C216B C216BL		50.80	15.88 28.58	17.02	8.28	36.1	39.1	21.0	4.15/3.10	60.0/13489	66.0	2.14 3.27
C220A C220AL	C2100 C2102	63.50	19.05 39.67	18.90	9.53	40.4	44.7	30.0	4.00	88.5/20114	102.6	3.01 4.83
C220AH C220AHL	C2100H C2102H	63.50	19.05 39.67	18.90	9.53	43.6	46.9	30.0	4.80	88.5/20114	112.4	3.56 5.38
C220B C220BL		63.50	19.05 39.67	19.56	10.19	41.3	45.0	26.4	4.50/3.50	95.0/21357	104.5	2.93 5.01
C224A C224AL	C2120 C2122	76.20	22.23 44.45	25.22	11.10	50.3	54.3	35.7	4.80	127.0/28864	147.3	4.66 7.66
C224AH C224AHL	C2120H C2122H	76.20	22.23 44.45	25.22	11.10	53.5	57.5	35.7	5.60	127.0/28864	160.9	5.26 8.26
C224B C224BL		76.20	25.40 44.45	25.40	14.63	53.4	57.8	33.2	6.00/4.80	160.0/35969	176.0	5.17 7.88
C232A C232AL	C2160 C2162	101.60	28.58 57.15	31.75	14.27	64.8	69.6	47.8	6.40	226.8/51545	278.9	8.15 13.00
C232AH C232AHL	C2160H C2162H	101.60	28.58 57.15	31.75	14.27	68.2	73.0	47.8	7.20	226.8/51545	285.8	9.06 13.84

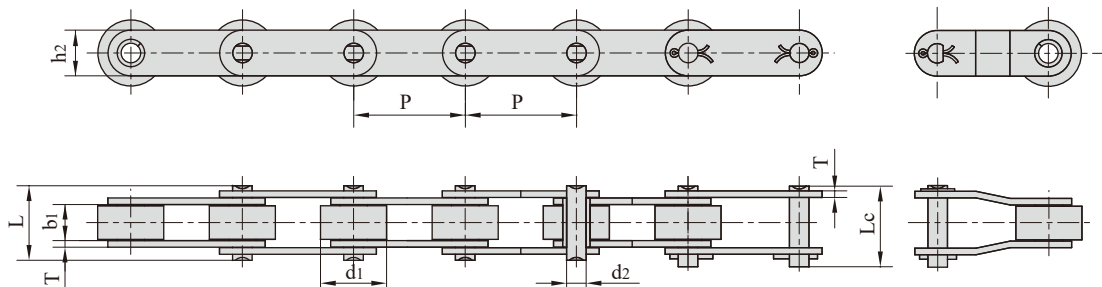
## Double pitch conveyor chains

### Non-standard double pitch conveyor chains

#### Small Roller Type



#### Large Roller Type

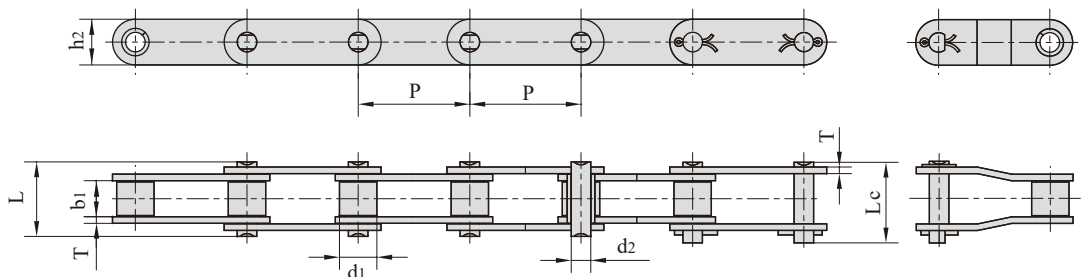


Chain No.	Pitch	Roller diameter	Width between inner plates	Pin diameter	Pin length		Inner plate depth	Plate thickness	Tensile strength	Average tensile strength	Weight per meter
	P mm	d1 max mm	b1 min mm	d2 max mm	L max mm	Lc max mm	h2 max mm	T max mm	Q min kN/lbf	Q0 kN	q kg/m
208AF17	25.40	7.95	4.00	3.96	12.75	15.00	12.00	1.50	13.80/3102	15.2	0.40
208AF18	25.40	7.95	5.10	3.96	13.76	16.00	12.00	1.50	13.80/3102	15.2	0.38
208BF45	25.40	8.51	47.64	4.45	57.00	58.50	11.80	1.60	17.80/4001	19.6	1.15
C208BF3	25.40	8.51	7.95	4.45	16.70	-	11.80	1.50	10.00/22480	11.5	0.61
C2050F12	31.75	10.16	9.52	5.08	20.20	21.70	15.00	2.03	18.53/4165	20.0	1.05
C2052F51	31.75	19.05	9.40	5.08	20.70	-	15.00	2.03	21.80/4901	24.0	0.81
2060F75	38.10	11.91	16.07	5.94	29.50	31.90	18.00	2.42	31.10/6991	34.2	1.11
212BFH1	38.10	12.07	11.68	5.94	25.20	28.00	40.80	2.42	31.80/7149	36.6	2.73
C2060F28	38.10	11.91	12.57	5.72	25.90	27.70	20.00	2.42	28.90/6496	32.4	1.40
C2060F75	38.10	11.91	16.07	5.94	29.50	31.90	18.00	2.42	31.10/6991	34.2	1.32
C2062F101	38.10	22.23	12.57	5.94	35.00	-	18.00	2.42	31.10/6991	34.2	1.98
C2062F9 5	38.10	22.23	12.70	5.94	25.80	29.30	18.00	2.42	24.00/5395	26.4	2.20
C212BF2	38.10	12.07	11.68	5.72	22.50	25.50	35.00	1.85	28.90/6496	33.3	1.88
C212BF9	38.10	12.07	11.68	5.72	22.50	25.20	20.00	1.85	28.90/6496	33.3	1.10

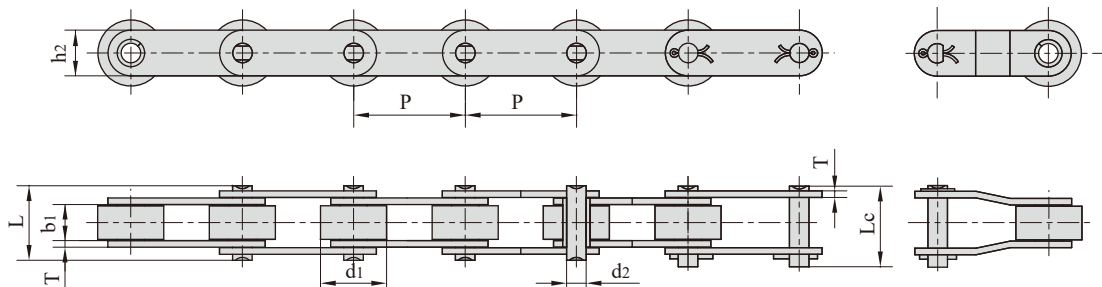
## Double pitch conveyor chains

### Non-standard double pitch conveyor chains

#### Small Roller Type

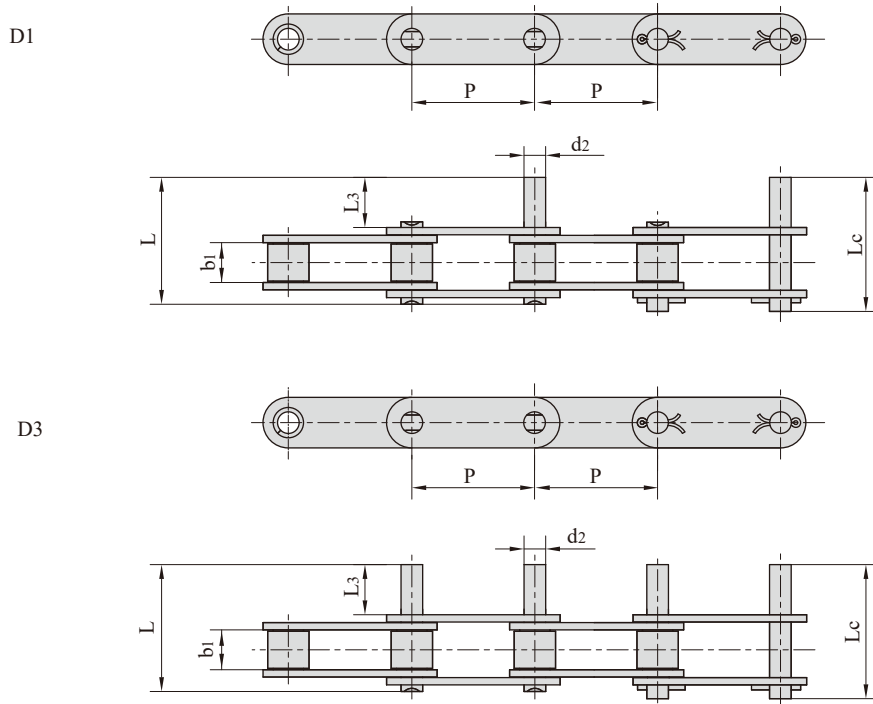


#### Large Roller Type



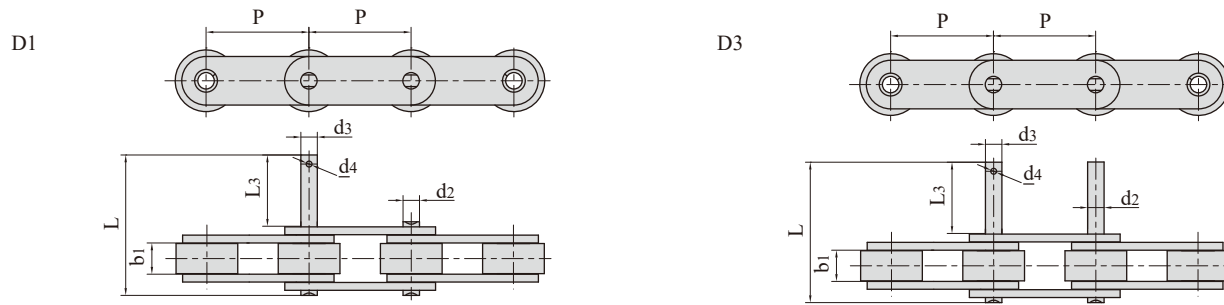
Chain No.	Pitch	Roller diameter	Width between inner plates	Pin diameter	Pin length		Inner plate depth	Plate thickness	Tensile strength	Average tensile strength	Weight per meter
	P	d1 max	b1 min	d2 max	L max	Lc max	h2 max	T max	Q min	Q0	q
	mm	mm	mm	mm	mm	mm	mm	mm	kN/lbf	kN	kg/m
2082HF83	50.80	28.58	15.75	7.92	36.20	38.90	29.00	4.00	56.7/12746	62.4	3.90
216BF4	50.80	15.88	17.90	8.28	36.10	39.10	21.00	3.70	60.0/13488	66.0	1.80
C2060H-50.8F1	50.80	11.91	12.57	5.94	29.20	31.00	17.20	3.25	31.1/6991	34.2	2.67
C2080HF1	50.80	15.88	15.75	7.92	36.20	39.40	23.00	4.00	55.6/12499	61.1	2.49
C2080HF51	50.80	18.00	32.00	7.92	54.00	57.50	24.00	4.00	55.6/12499	61.1	2.66
C2080HF87	50.80	18.00	32.00	7.92	52.80	56.00	24.00	4.00	55.6/12499	61.2	2.67
C2082HF94	50.80	25.40	15.75	7.92	36.20	39.40	23.00	4.00	60.0/13488	66.0	3.23
C216BF1	50.80	15.88	17.02	8.28	36.10	39.10	20.00	4.00/3.00	60.0/13488	66.0	2.01
220BF1	63.50	19.05	19.56	10.19	36.50	37.60	27.00	3.00	65.0/14612	74.7	1.81
220BF3	63.50	19.05	19.56	10.19	42.30	43.40	26.40	4.50/4.00	56.7/12746	62.4	2.68
C220AH-BF1	63.50	19.05	18.90	9.53	43.60	46.90	30.00	4.80	86.7/19490	95.5	3.74
C224AHF2	76.20	27.20	25.22	11.10	-	57.50	35.70	5.60	124.6/280112	139.5	5.78
C224AHLF5	76.20	43.00	25.22	11.10	53.50	-	35.70	5.60	124.6/280112	142.6	7.94
C232BF 1	101.60	29.21	30.99	17.81	68.00	73.00	42.00	7.00	250.0/56200	275.0	7.85

Double pitch conveyor chains with extended pins



ISO Chain No.	ANSI Chain No.	P	b <sub>1</sub>	d <sub>2</sub>	L <sub>3</sub>	L	L <sub>c</sub>
		mm	mm	mm	mm	mm	mm
C208A	C2040	25.40	7.85	3.96	9.5	25.1	26.2
C208AL	C2042						
C210A	C2050	31.75	9.40	5.08	11.9	31.3	33.1
C210AL	C2052						
C212A	C2060	38.10	12.57	5.94	14.3	38.6	40.6
C212AL	C2062						
C212AH	C2060H	38.10	12.57	5.94	14.3	42.0	43.8
C212AHL	C2062H						
C216A	C2080	50.80	15.75	7.92	19.1	50.3	53.3
C216AL	C2082						
C216AH	C2080H	50.80	15.75	7.92	19.1	53.5	55.0
C216AHL	C2082H						
C220A	C2100	63.50	18.90	9.53	23.8	61.8	66.1
C220AL	C2102						
C220AH	C2100H	63.50	18.90	9.53	23.8	65.0	68.3
C220AHL	C2102H						
C224AH	C2120H	76.20	25.22	11.10	28.6	79.6	83.6
C224AHL	C2122H						
C232AH	C2160H	101.60	31.75	14.27	38.1	103.0	107.8
C232AHL	C2162H						

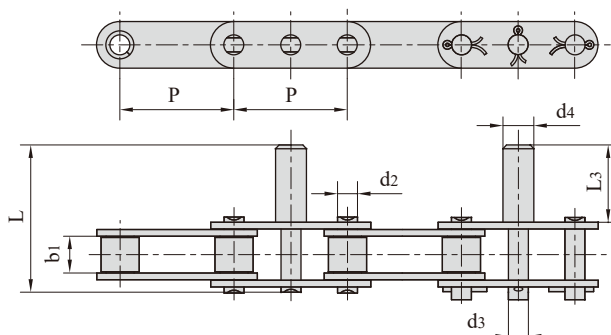
Double pitch conveyor chains with extended pins



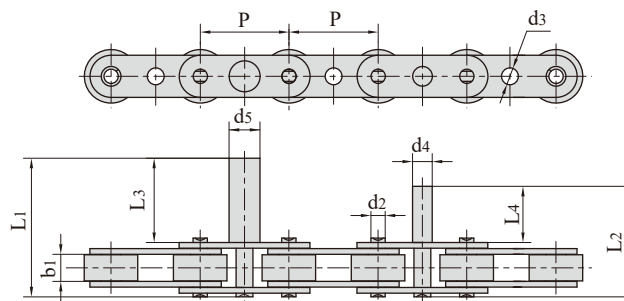
Chain No.	P	b1	L3	L	d2	d3	d4
	mm	mm	mm	mm	mm	mm	mm
2040-D3F12	25.400	7.85	8.00	23.70	3.96	6.00	-
208B-D3F17	25.400	7.75	19.40	35.10	4.45	4.65	1.60
C2040-D1F23	25.400	7.85	37.00	52.60	3.96	5.50	-
C2040-D3F13	25.400	7.85	31.75	47.35	3.96	7.94	-
C2040-D3F15	25.400	7.85	20.40	36.00	3.96	4.45	1.50
C2042-D1F20	25.400	7.85	35.00	51.00	3.96	6.00	-
C208B-D3F19	25.400	7.75	15.20	31.00	4.48	8.30	-
210B-D1F3	31.750	9.65	33.00	51.40	5.08	8.00	-
C2052-D13F2	31.750	9.40	23.40	43.00	5.08	6.00	-
C2052-D1F23	31.750	9.40	40.00	59.70	5.08	6.35	-
C2052-D1F27	31.750	9.40	20.00	41.10	5.08	9.00	-
C2052-D1F28	31.750	9.40	21.00	42.10	5.08	9.30	-
C2052-D1F52	31.750	9.40	30.00	49.50	5.08	9.00	-
C2052-D1F54	31.750	9.40	22.00	41.60	5.08	5.08	1.80
C2052-D1F71	31.750	9.40	20.00	41.10	5.08	7.00	-
C2052-D1F72	31.750	9.40	50.00	71.20	5.08	8.00	-
C2052-D3F20	31.750	9.40	22.00	41.60	5.08	5.70	-
C2052F56-D1SS	31.750	9.00	25.70	49.90	5.08	5.55	-
C2060H-D1F57	38.100	12.57	35.00	52.80	5.94	10.00	-
C2060H-D3F44	38.100	12.57	25.00	55.50	5.94	M8	-
C2060SLR-D3F55	38.100	12.57	14.30	40.50	5.94	5.94	2.00
C2062-D1F32	38.100	12.57	18.50	43.00	5.94	9.00	-
C2062-D1F40	38.100	12.57	30.00	54.60	5.94	8.00	-
C2062-D1F54	38.100	12.57	25.00	49.40	5.94	7.95	2.50
C2062-D3F31	38.100	12.57	35.00	59.50	5.94	10.00	-
C2062H-D1F47	38.100	12.57	30.00	57.80	5.94	7.95	2.50
C2062H-D1F58	38.100	12.57	29.20	57.00	5.94	9.80	-
C2062H-D1F68	38.100	12.57	26.00	53.80	5.94	5.94	2.00
C2062HF99	38.100	12.57	50.00	80.80	5.94	10.00	-
C2062HNP-D1F59	38.100	12.57	22.20	50.20	5.94	12.70	-
216B-D1F4	50.800	17.02	20.00	54.10	8.28	12.00	-
C2082-D1F21	50.800	15.75	24.50	55.60	7.92	12.00	-
C2082-D1F8	50.800	15.75	30.00	61.20	7.92	8.50	-
C2082H-D1F10	50.800	15.75	30.00	64.40	7.92	8.50	-
C2082H-D1F12	50.800	15.75	20.00	54.20	7.92	9.00	3.20
C2082H-D1F22	50.800	15.75	25.40	60.00	7.92	15.88	-
C2102H-D3F5	63.500	18.90	37.00	78.50	9.53	9.53	2.50



### Double pitch conveyor chains with extended pins

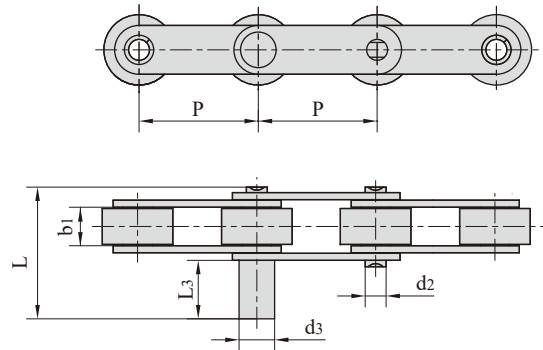


Chain No.	P	b1	d2	d3	d4	L3	L
	mm	mm	mm	mm	mm	mm	mm
C2052F2	31.75	9.40	5.08	6.00	7.00	20.00	39.80
C2052F14	31.75	9.40	5.08	6.00	7.00	21.00	40.40
C2050GKF12	31.75	9.40	5.08	5.08	5.08	11.90	34.00
C2050GKF13	31.75	9.40	5.08	5.20	10.00	35.00	54.60
C2052-D5F26	31.75	9.40	5.08	6.35	8.76	19.90	39.50
C2052-D5F27	31.75	9.40	5.08	6.35	7.11	19.70	39.00
C2060H-D23	38.10	12.57	5.94	8.80	12.70	41.30	69.30
C2060H-D24	38.10	12.57	5.94	7.95	12.70	44.80	65.60
C2060H-D31	38.10	12.57	5.94	7.95	16.00	45.00	73.00
C2060H-D5F4	38.10	12.57	5.94	7.95	12.70	50.00	77.80
C2060HF9	38.10	12.57	5.94	7.95	12.70	41.30	69.30
C2060HF10	38.10	12.57	5.94	7.70	14.30	41.30	69.30
C2060HF75	38.10	12.57	5.94	6.00	8.00	27.50	55.50
C2062-D38	38.10	12.57	5.94	5.94	11.10	24.20	48.60
C2062-D39	38.10	12.57	5.94	5.94	13.30	32.20	56.60
C2062H-D41	38.10	12.57	5.94	9.53	9.50	22.20	50.00
C2062HGKF17-D5F1	38.10	12.57	5.94	7.95	13.30	32.20	60.20
C212AHF3	38.10	12.57	5.94	8.08	10.00	35.00	63.00
C212AHF7	38.10	12.57	5.94	5.94	12.70	41.20	69.20
C212AHF8	38.10	12.57	5.94	8.00	10.00	35.00	63.00
C212AHL-D4	38.10	12.57	5.94	5.94	8.00	25.00	53.00

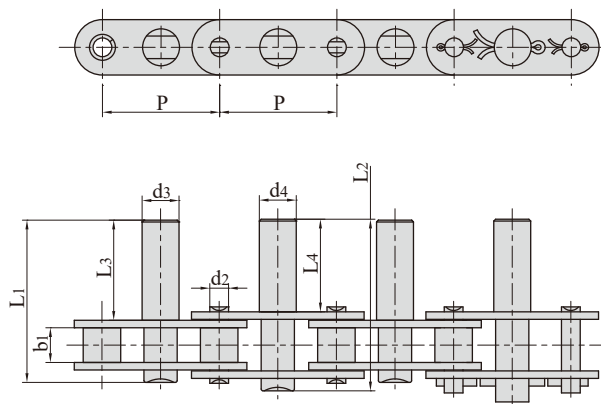


Chain No.	P	b1	d2	d4	d5	L3	L1	L4	L2
	mm	mm	mm	mm	mm	mm	mm	mm	mm
C2052F1	31.75	9.4	5.08	7.0	11.0	30.0	49.8	20.0	39.8

Double pitch conveyor chains with extended pins

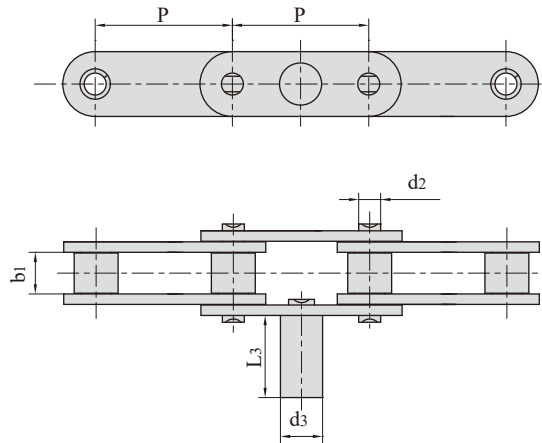


Chain No.	P mm	b <sub>1</sub> mm	d <sub>2</sub> mm	d <sub>3</sub> mm	L <sub>3</sub> mm	L mm
C2052DF1	31.75	9.40	5.08	7.50	14.15	33.6
C210AF4	31.75	9.40	5.08	11.00	34.00	53.7
C2052-D4	31.75	9.40	5.08	6.00	32.40	52.0
C2050-D5	31.75	9.40	5.08	8.00	40.00	59.7
C212AHL-D4	38.10	12.57	5.94	8.00	25.00	53.0
C2062-D6	38.10	12.57	5.94	12.00	25.00	49.7

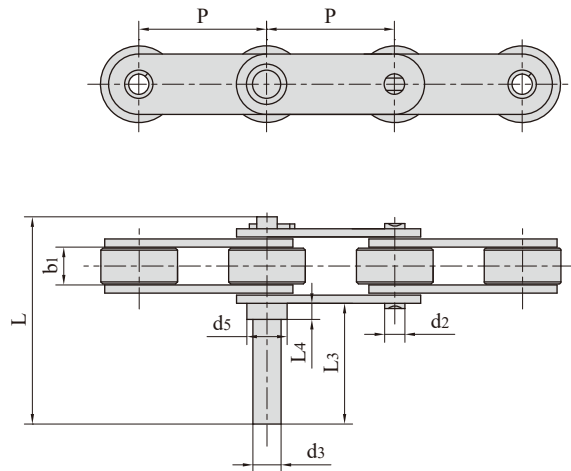


Chain No.	P mm	b <sub>1</sub> mm	d <sub>2</sub> mm	d <sub>3</sub> mm	d <sub>4</sub> mm	L <sub>3</sub> mm	L <sub>1</sub> mm	L <sub>4</sub> mm	L <sub>2</sub> mm
C2050-D5F1	31.75	9.40	5.08	10.00	10.00	43.20	60.30	41.00	62.40

### Double pitch conveyor chains with extended pins

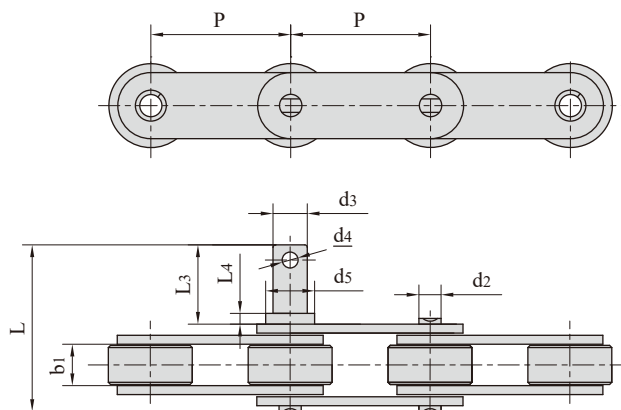


Chain No.	P mm	b1 mm	L3 mm	d2 mm	d3 mm
C2050-D5F25	31.75	9.40	19.00	5.08	10.00
C2050F44	31.75	9.40	19.00	5.08	9.75

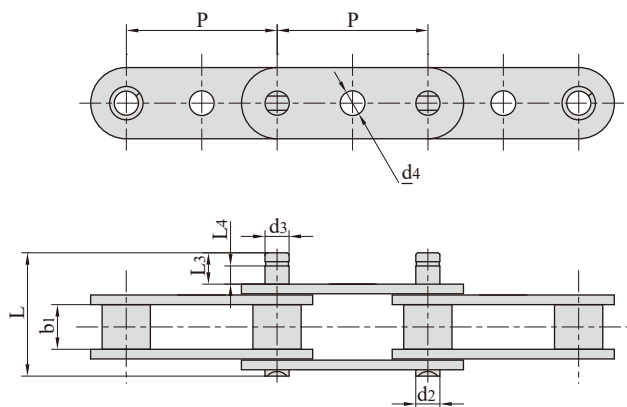


Chain No.	P mm	b1 mm	L3 mm	L4 mm	L mm	d2 mm	d3 mm	d5 mm
C2052-D1F29	31.75	9.40	33.00	3.00	55.00	5.08	9.00	13.00
C2052-D3F24	31.75	9.40	33.00	3.00	55.00	5.08	9.00	13.00
C2052-D3F55	31.75	9.40	34.00	4.00	56.00	5.08	7.00	10.00

## Double pitch conveyor chains with extended pins

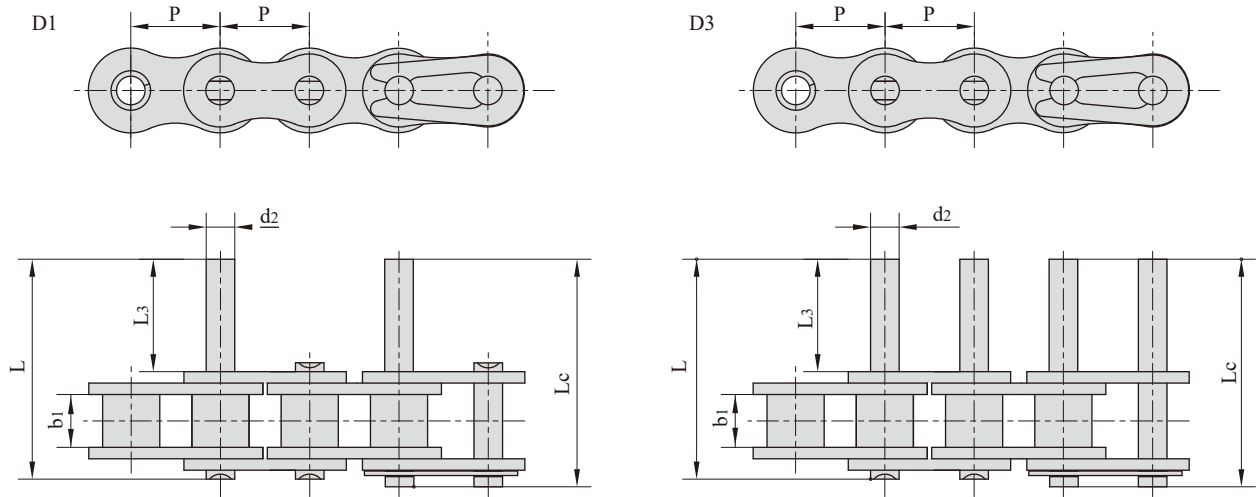


Chain No.	P	b1	L3	L4	L	d2	d3	d4	d5
	mm	mm	mm	mm	mm	mm	mm	mm	mm
C2052-D1F15	31.75	9.40	16.20	2.20	35.90	5.08	7.00	-	10.00
C2052-PF1-D3F30	31.75	9.40	14.20	2.00	33.90	5.08	5.08	-	8.00
C2062-D1F43	38.10	12.57	40.60	29.10	65.00	5.94	M5	-	5.94
C2062-D8	38.10	12.57	29.00	7.00	53.40	5.94	7.00	-	14.00
C2062H-D1F45	38.10	12.57	27.70	6.00	55.60	5.94	7.90	2.00	12.00
C2062H-D1F50	38.10	12.57	29.00	7.00	56.80	5.94	7.00	-	14.00
C2062H-D1F58	38.10	12.57	29.20	12.20	57.00	5.94	9.00	-	12.00
C2082HAA1F2-D3F2	50.80	15.75	61.50	6.00	96.50	7.92	12.00	-	15.00
C2082H-D3F19	50.80	15.75	31.00	11.00	65.50	7.92	11.90	-	15.88
C220AHSLR-D1F3	63.50	18.90	28.00	3.50	69.50	9.53	11.00	-	15.00



Chain No.	P	b1	L3	L4	L	d2	d3	d4
	mm	mm	mm	mm	mm	mm	mm	mm
C2050-D1F62	31.75	9.40	8.00	5.00	27.40	5.08	5.08	5.20
C2050-D1F63	31.75	9.40	5.00	2.00	24.40	5.08	5.08	5.20
C2050-D1F64	31.75	9.40	7.00	7.00	24.40	5.08	8.00	-
C2060SLR-D3F56	38.10	12.57	18.20	15.00	44.50	5.94	5.94	-

Short pitch conveyor chains with extended pins



ISO Chian No.	DIN Chian No.	P	b <sub>1</sub>	d <sub>2</sub>	L <sub>3</sub>	L	L <sub>c</sub>
		mm	mm	mm	mm	mm	mm
35	06C	9.525	4.77	3.58	9.5	20.8	21.6
40	08A	12.700	7.85	3.96	9.5	25.1	26.2
50	10A	15.875	9.40	5.08	11.9	31.3	33.1
60	12A	19.050	12.57	5.94	14.3	38.6	40.6
80	16A	25.400	15.75	7.92	19.1	50.3	53.3
100	20A	31.750	18.90	9.53	23.8	61.8	66.1
120	24A	38.100	25.22	11.10	28.6	76.4	80.4
140	28A	44.450	25.22	12.70	33.3	84.8	89.4
160	32A	50.800	31.55	14.27	38.1	99.6	104.4
08B	08B	12.700	7.75	4.45	9.5	25.1	26.6
10B	10B	15.875	9.65	5.08	11.9	30.1	31.5
12B	12B	19.050	11.68	5.72	14.3	35.4	37.1
16B	16B	25.400	17.02	8.28	19.1	53.0	54.3
20B	20B	31.750	19.56	10.19	41.0	79.9	83.6
24B	24B	38.100	25.40	14.63	50.7	101.4	105.8
28B	28B	44.450	30.99	15.90	61.9	124.0	128.4
32B	32B	50.800	30.99	17.81	64.8	126.8	131.8