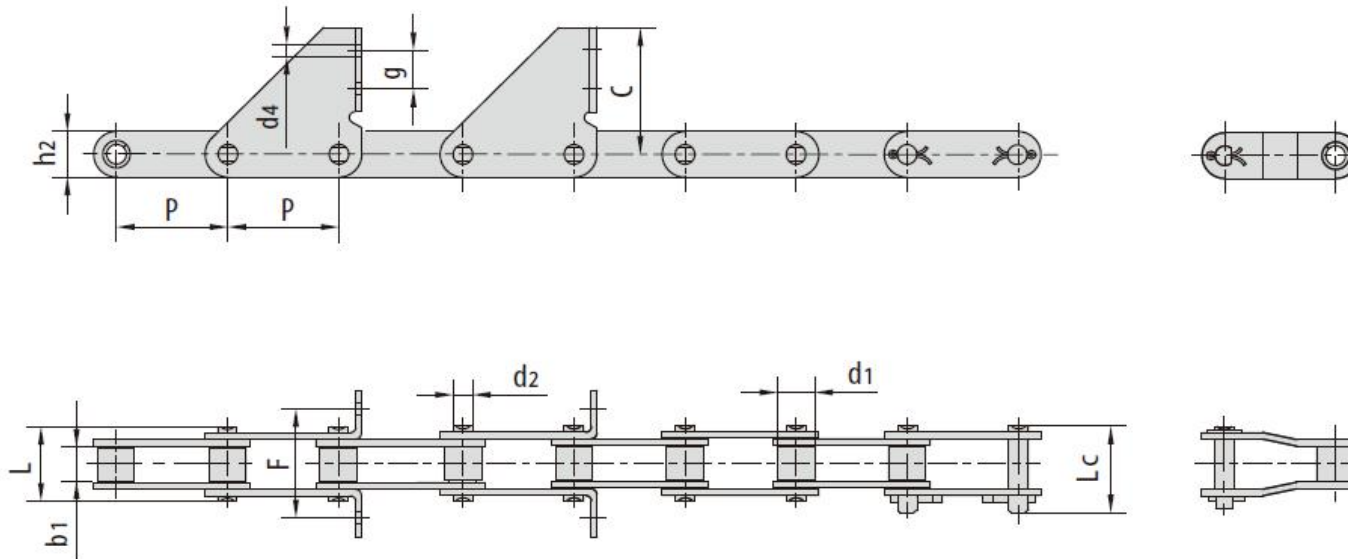
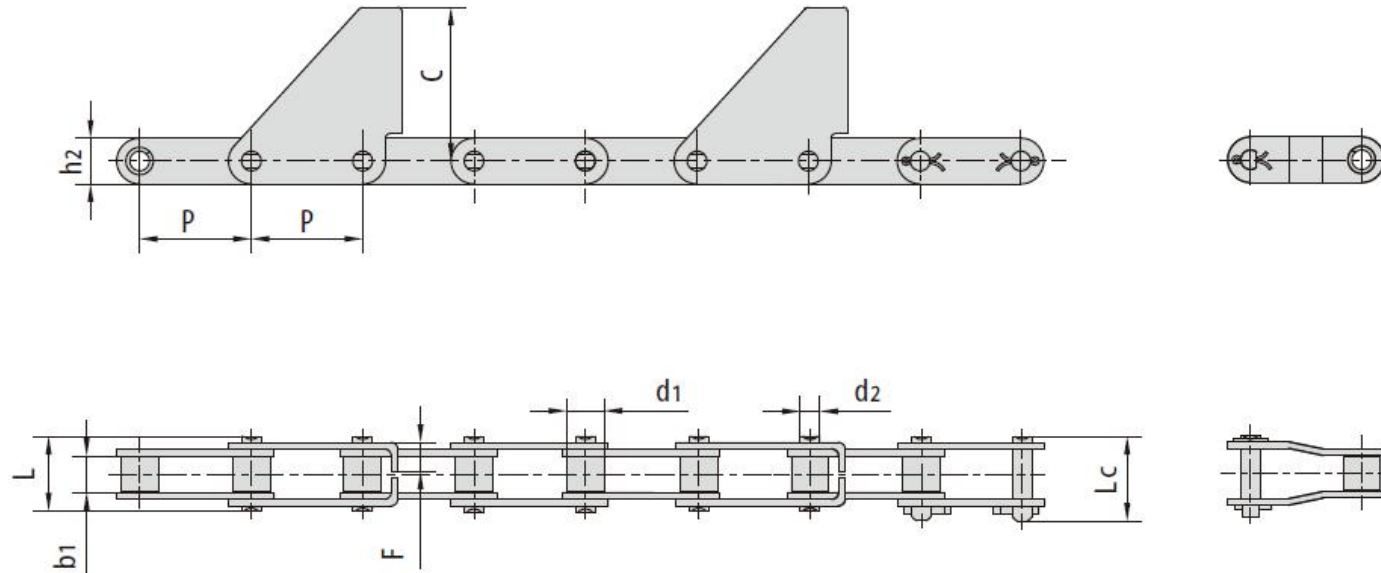


Chain No.	节距	滚子直径	内节内宽	销轴直径	销轴长度			内链板高度	附板尺寸		抗拉强度	平均抗拉强度
	Pitch	Roller diameter	Width between inner plates	Pin diameter	Pin length			Inner plate depth	Attachment dimension		Tensile strength	Average tensile strength
	p	d1 max	b1 min	d2 max	L1 max	L2 max	Lc max	h2 max	C	R	Q min	Qo
	mm	mm	mm	mm	mm	mm	mm	mm	mm	mm	kN/bf	kN
208AF2	12.7	7.95	4.80	3.96	13.1	14.7	14.5	12.0	56.5	3.5	13.8/3136	16.0
208AF3	12.7	7.95	4.80	3.96	13.1	-	14.5	12.0	60.5	4.5	13.8/3136	16.0
208AF3A	12.7	7.95	7.85	3.96	16.6	-	17.8	12.0	60.5	4.5	13.8/3136	16.0

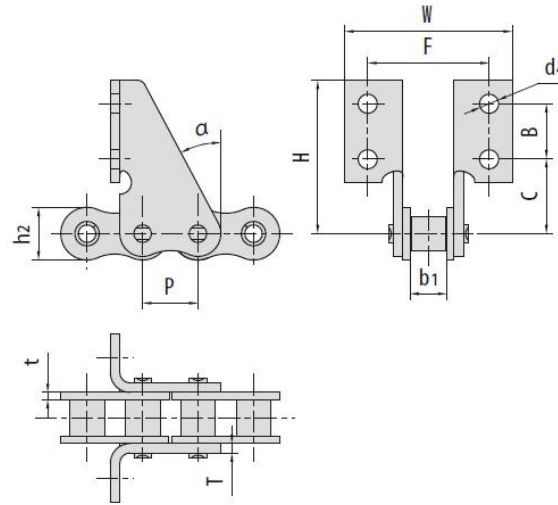
■ C210AF1



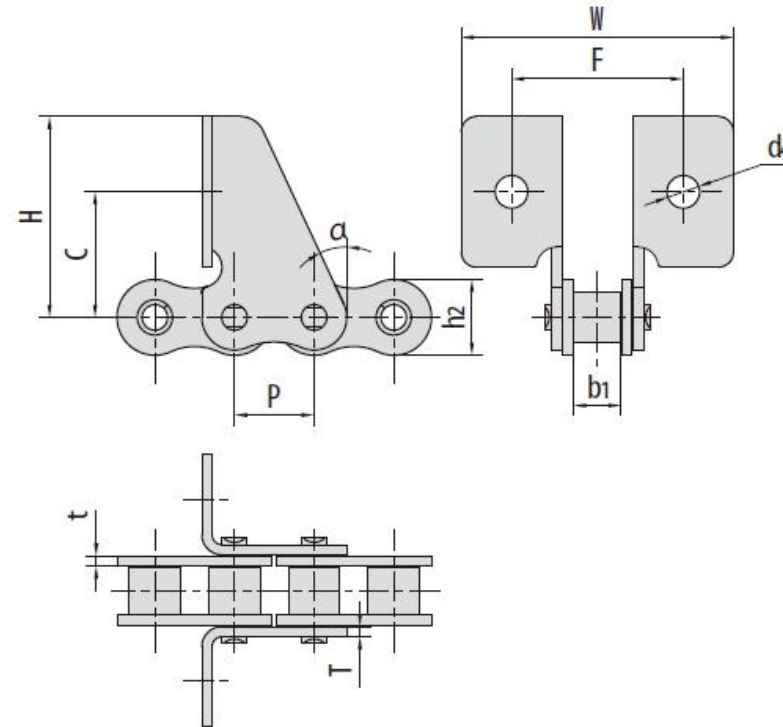
■ C 212AF1



Chain No.	节距	滚子直径	内节内宽	销轴直径	销轴长度		内链板高度	附板尺寸				抗拉强度	平均抗拉强度
	Pitch	Roller diameter	Width between inner plates	Pin diameter	L	Lc	Inner plate depth	Attachment dimension				Tensile strength	Average tensile strength
	p	d1 max	b1 min	d2 max	L max	Lc max	h2 max	F	C	d4	g	Q min	Q0
	mm	mm	mm	mm	mm	mm	mm	mm	mm	mm	mm	kN/bf	kN
C 210AF1	31.75	10.16	9.40	5.08	20.7	23.3	15.0	35.20	54.0	7.0	23.0	21.8/4955	28.5
C 212AF1	38.10	11.91	12.57	5.94	25.9	28.3	18.0	10.92	56.0	-	-	31.1/7068	38.7



Chain No.	P	h ₂	b ₁	F	W	B	C	H	d ₄	t	T	α
	mm	mm	mm	mm	mm	mm	mm	mm	mm	mm	mm	
12ASD	19.05	18.00	12.57	44.00	58.00	19.00	25.50	52.50	6.5	2.42	2.42	28°
12ASDF3	19.05	18.00	12.57	42.00	56.00	19.00	25.50	52.50	8.5	2.42	3.50	28°
12ASDF6	19.05	18.00	12.57	43.20	57.20	23.00	21.50	52.50	8.5	2.42	3.50	28°
12ASDF9	19.05	18.00	12.57	39.00	55.00	23.00	23.00	52.25	6.5	2.42	2.42	28°
12ASDF12	19.05	18.00	12.57	41.20	58.20	23.50	19.00	50.00	7.0	2.42	2.42	28°



Chain No.	P	h ₂	b ₁	F	W	C	H	d ₄	t	T	α
	mm	mm	mm	mm	mm	mm	mm	mm	mm	mm	
10ASD	15.875	15.09	9.40	36.00	54.00	25.00	40.00	6.5	2.03	2.03	25°
10BSD F1	15.875	14.70	9.65	28.40	43.40	24.10	38.10	5.0	1.70	1.70	30°