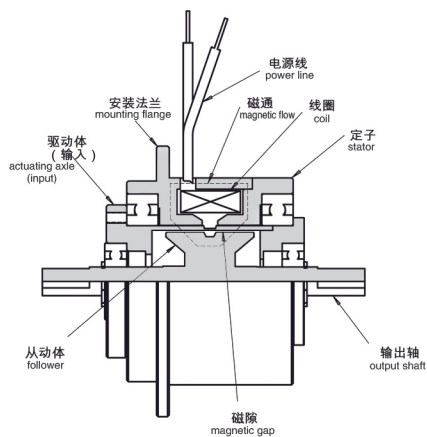
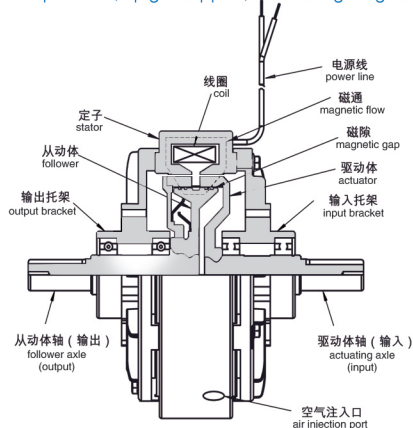


## 离合器机型一览表

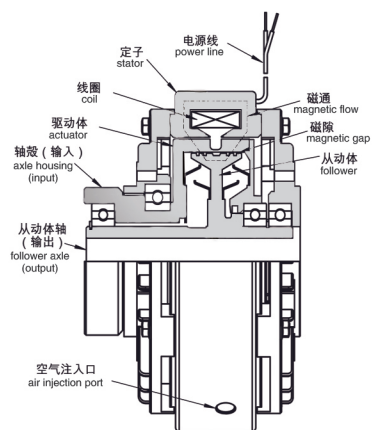
**ZKG型自然冷却、微型磁粉离合器**  
ZKG naturally cooling, mini magnetic powder clutch



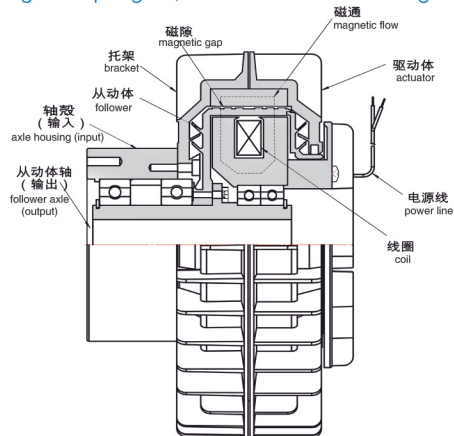
**ZKB型双出轴、止口支撑、风扇冷却磁粉离合器**  
ZKB type double output shaft, spigot support, fan cooling magnetic powder clutch



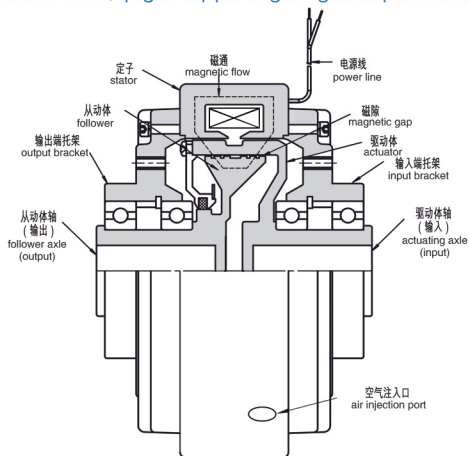
**FLKT型空心轴、止口支撑、通孔磁粉离合器**  
FLK hollow shaft, spigot supporting magnetic powder brake



**ZA型空心轴支撑、外壳旋转磁粉离合器**  
ZA single-output gear, external shell rotation magnetic powder clutch

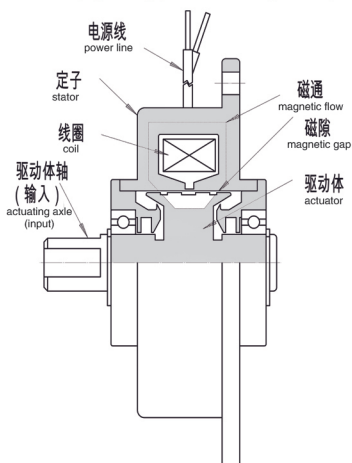


**FLK型空心轴、止口支撑磁粉离合器**  
FLK hollow shaft, spigot supporting magnetic powder brake

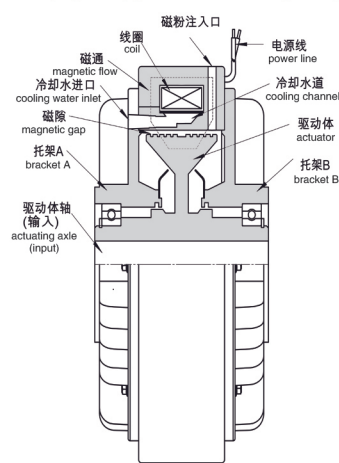


## 制动器机型一览表

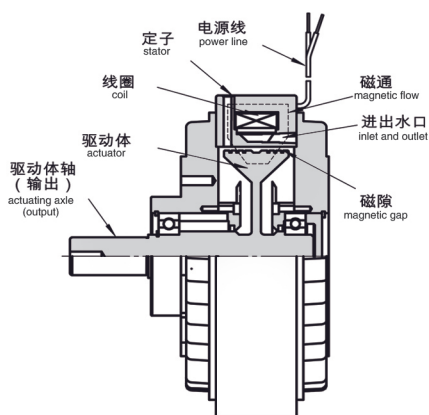
**ZKG型单出轴、止口支撑、微型磁粉制动器**  
 ZKG single-output shaft, spigot support, mini magnetic powder brake



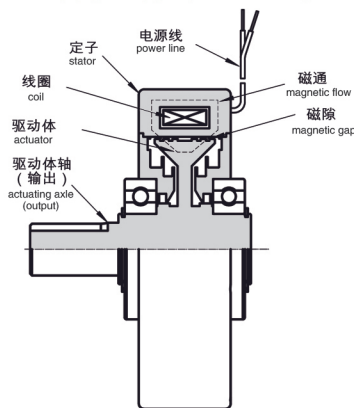
**FZKY型空心轴、止口支撑、水冷却磁粉制动器**  
 FZKY hollow spindle, spigot support, water cooling magnetic powder brake



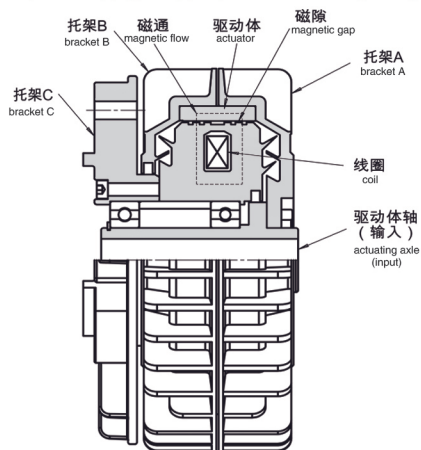
**FZ型单出轴、止口支撑、水冷却磁粉制动器**  
 FZ single-output shaft, frame supporting magnetic powder brake



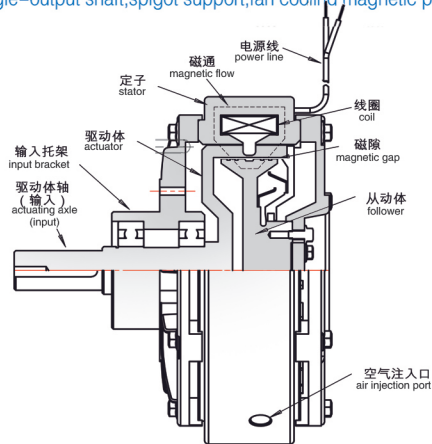
**ZX型单出轴、止口支撑、超薄磁粉制动器**  
 ZX single-output shaft, spigot support, ultra thin magnetic powder brake



**ZA-Y型空心轴、止口支撑、外壳旋转磁粉制动器**  
 ZA-Y single-output shaft, spigot support, shell rotation magnetic powder brake



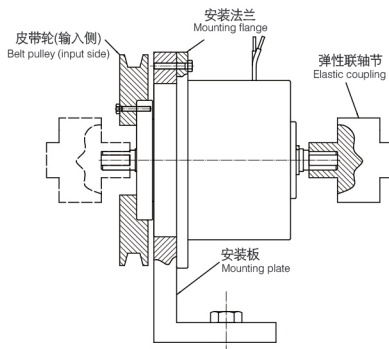
**ZKB型单出轴、止口支撑、风扇冷却磁粉制动器**  
 ZKB single-output shaft, spigot support, fan cooling magnetic powder brake



# 磁粉离合器

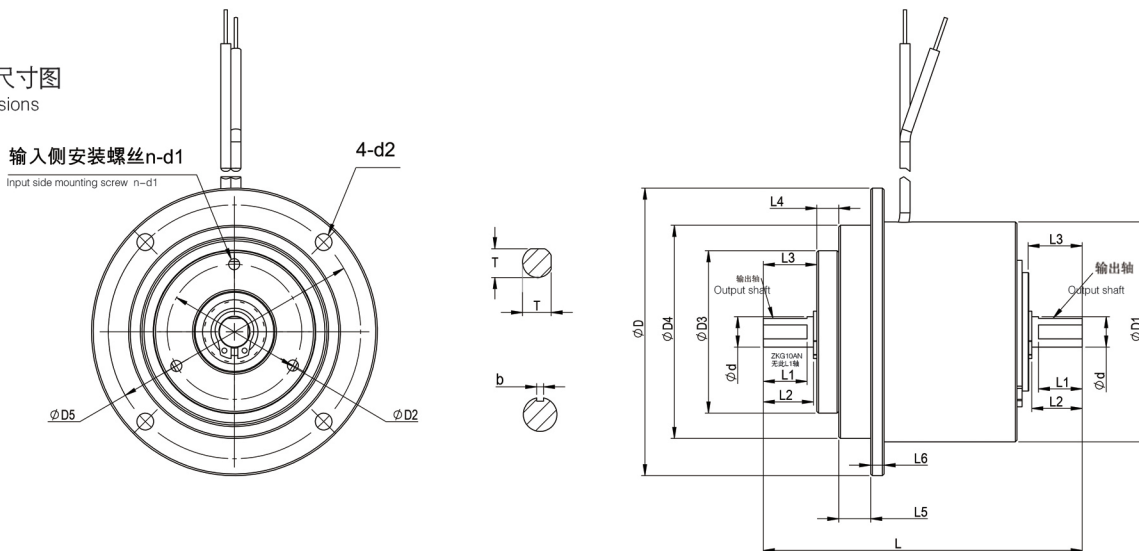
离合器

## ZKG型自然冷却、微型磁粉离合器 ZKG naturally cooling, mini magnetic powder clutch



A、安装示例图  
Installation example

B、外形尺寸图  
Dimensions



### 规格、外形尺寸(mm)

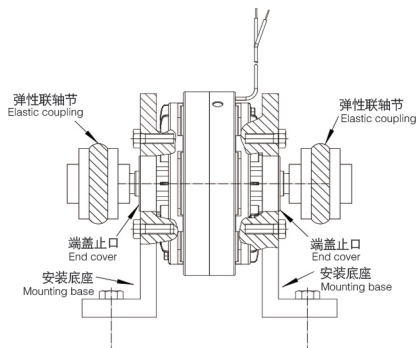
额定电压DC24V Rated voltage DC24V

规定型号 Specification and model no.	额定 转矩 Rated torque N.m	滑差 功率 Slip power W	最大 电流 Max current A	最高 转速 Max rotation speed rpm	外形尺寸 Overall size			轴联接尺寸 Hollow spindle coupling size					法兰盘联接尺寸 Flange size				定子固定尺寸 Fixed stator size					
					D	D1	L	d (h7)	T	b (P7)	L1	L2	L3	L4	D2	D3 (g7)	n- d1	D4 (h7)	D5	L5	L6	d2
ZKG 0.5AN	0.5	10	0.35	1500	70	50	77	5	4.5	-	9	10.5	11	5.5	30	40	3-M4	48	60	8.5	4	4.5
ZKG 1 AN	1	11	0.47	1500	76	56	83	7	6.5	-	10	12	13	5.5	34	42	3-M4	54	66	8.5	4	4.5
ZKG 2 AN	2	13	0.55	1500	85	65	95	9	8.5	-	13	15	16	6.6	40	48	3-M4	63	75	9.5	4	4.5
ZKG 5 AN	5	19	0.8	1500	100	80	111	12	11.5	-	16	18	19	6	50	60	3-M4	78	90	12	4	4.5
ZKG 10AN	10	24	1.0	1500	128	98	113	15	-	4	20	24	26	7	70	80	4-M4	98	114	15	5	6.5

注: ZKG10AN左端出轴长度3mm, 右端为安装轴  
Note: ZKG10AN The left end of the shaft 3mm

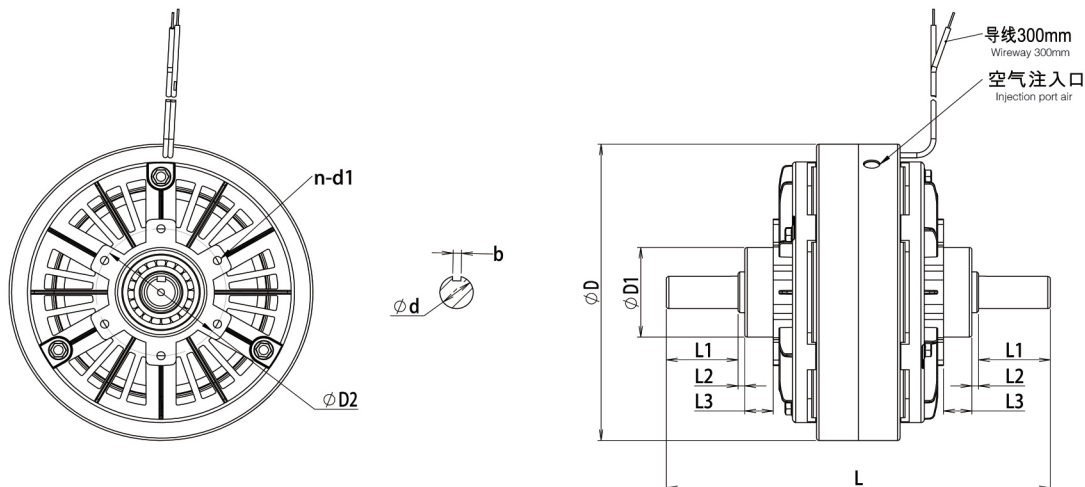
## ZKB型双出轴、止口支撑、风扇冷却磁粉离合器

ZKB type double output shaft, spigot support, fan cooling magnetic powder clutch



A、安装示例图  
Installation example

B、外形尺寸图  
Dimensions



规格、外形尺寸(mm)

额定电压DC24V Rated voltage DC24V

规定型号 Specification and model no.	额定 转矩 Rated torque N.m	滑差 功率 Slip power W	最大 电流 Max current A	最高 转速 Max rotation speed rpm	外形尺寸 Overall size		轴联接尺寸 Hollow spindle coupling size				止口支撑尺寸 Spigot support size			冷却方式 Cooling method	
					D	L	d (h7)	b (P7)	L1	L2	L3	D1 (g7)	D2		n-d1x 深度Depth
ZKB 0.6AN	0.6	20	0.46	1500	88	132	8	3	22	4	15	33	55	6-M5x10	单风扇 single fan
ZKB 3AN	3	50	0.53	1500	120	154	10	4	22	6	14	42	64	6-M5x10	单风扇 single fan
ZKB 6AN	6	95	0.81	1500	134	164	12	4	26	6	14	42	64	6-M5x10	单风扇 single fan
ZKB 12BN	12	140	0.94	1500	152	192	15	5	29	5	15	42	64	6-M6x10	单风扇 single fan
ZKB 25BN	25	220	1.24	1500	182	230	20	6	43	4	17	55	78	6-M6x10	单风扇 single fan
ZKB 50BN	50	330	2.15	1500	219	294	25	8(7)	55	6	30	74	100	6-M6x10	单风扇 single fan
ZKB100BN	100	480	2.40	1500	280	360	30	8(7)	65	7	28	100	140	6-M10x15	单风扇 single fan
ZKB200BN	200	750	2.63	1000	327	408	35	10	69	10	30	110	150	6-M10x15	单风扇 single fan
ZKB400BN	400	1100	3.31	1000	398	500	45	14	92	12.5	35	130	200	8-M12x20	单风扇 single fan
ZKB630BN	630	1600	3.50	900	486	560	55	16	105	10	40	150	260	8-M12x25	单风扇 single fan
ZKB1200BN	1200	2200	3.91	800	530	620	65	18	105	10	45	170	260	8-M12x30	单风扇 single fan
ZKB2000BN	2000	3200	4.00	600	680	760	75	20	130	10	55	200	300	8-M12x30	单风扇 single fan

注：括号内为日本原厂ZKB系列的键槽为非标，若需完全互换，请订货时声明！可订做底座安装方式

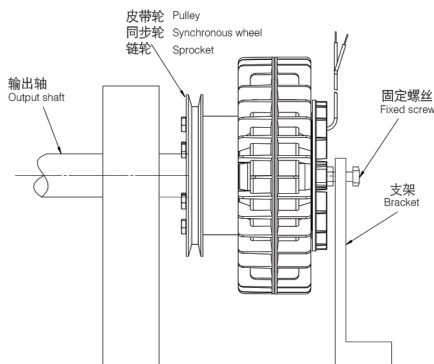
Note: Non-standard keyway to ZKB series from Japan, it is required to state when places order if needs to be changed completely

# 磁粉离合器

磁粉离合器

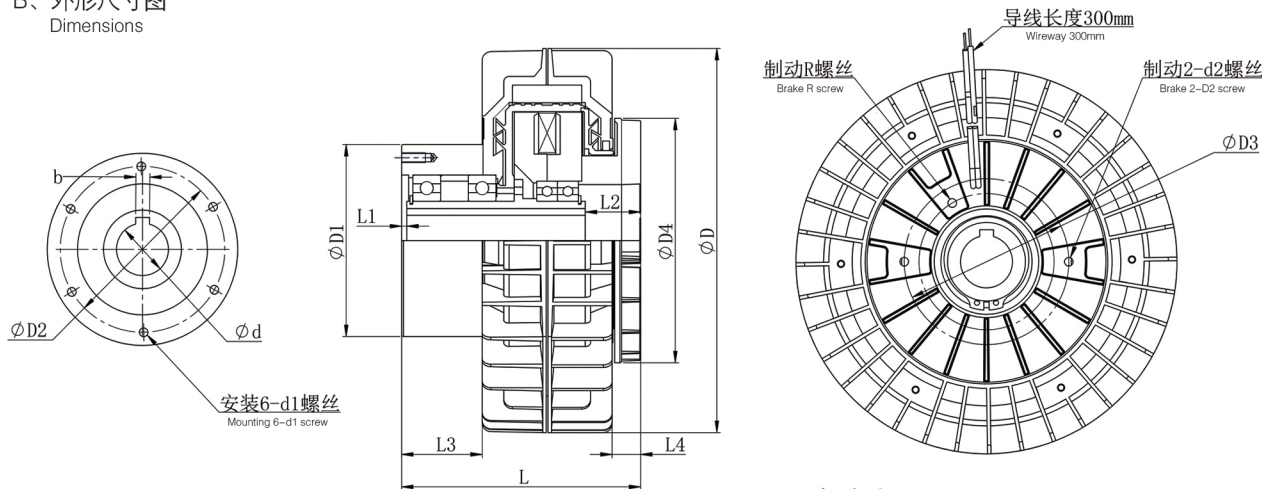
## ZA-A型空心轴支撑、外壳旋转磁粉离合器

ZA-A single-output gear, external shell rotation magnetic powder clutch



A、安装示例图  
Installation example

B、外形尺寸图  
Dimensions



规格、外形尺寸(mm)

额定电压DC24V Rated voltage DC24V

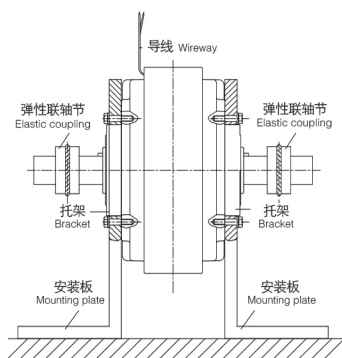
规定型号 Specification and model no.	额定 转矩 Rated torque N.m	滑差 功率 Slip power W	最大 电流 Max current A	最高 转速 Max rotation speed rpm	外形尺寸 Overall size		轴联接尺寸 Hollow spindle coupling size				法兰盘联接尺寸 Flange size			定子固定尺寸 Fixed stator size				
					D	L	d (H7)	b (F8)	L1	L2	L3	d1x深度	D1 (g7)	D2	D3	D4	L4	d2x深度
ZA6A	6	95	0.7	1500	130	86	15	5	1	20	21	M6x12	70	60	60	82	7	M4x8
ZA12A	12	140	0.9	1500	160	103	18	6	2	25	32	M6x12	80	68	68	96	13	M6x11
ZA25A	25	220	1.1	1500	180	119	20	6	2	31	36	M6x12	90	80	80	114	17	M6x12
ZA50A	50	330	1.4	1500	220	141	30	8(7)	3	35	47	M8x15	110	95	95	140	20	M8x12
ZA100A	100	480	2.0	1000	275	166	35	10	4	40	49	M10x20	125	110	110	176	17	M10x18
ZA200A	200	750	2.5	1000	335	198	45	14	3	45	59	M10x20	155	136	125	218	21	M10x18

注:括号内为日本原厂ZA系列的键槽为非标, 若需完全互换, 请订货时声明!

Note: Non-standard keyway to ZA series from Japan, it is required to state when places order if needs to be changed completely

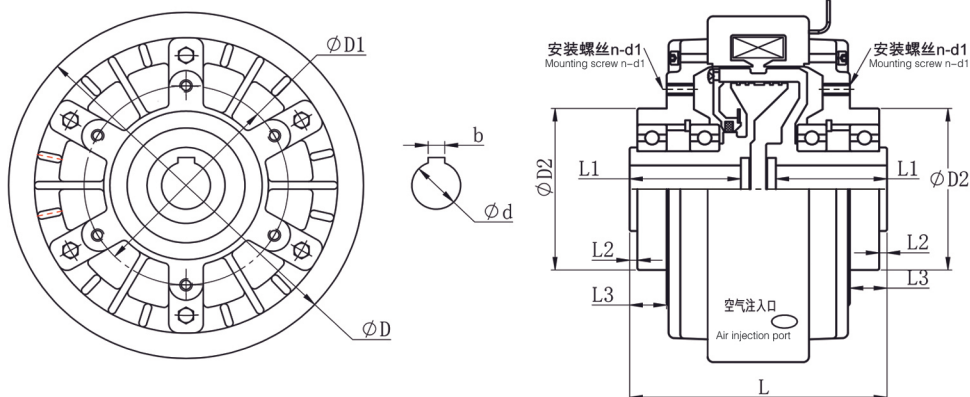
## FLK型空心轴、止口支撑磁粉离合器

FLK hollow shaft, spigot supporting magnetic powder brake



A、安装示例图  
Installation example

B、外形尺寸图  
Dimensions



### 规格、外形尺寸(mm)

额定电压DC24V Rated voltage DC24V

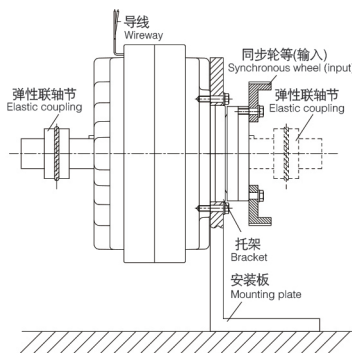
规定型号 Specification and model no.	额定 转矩 Rated torque N.m	滑差 功率 Slip power W	最大 电流 Max current A	最高 转速 Max rotation speed rpm	外形尺寸 Overall size		空心轴联接尺寸 Hollow spindle coupling size				止口支撑尺寸 Spigot support size			冷却方式 Cooling method	
					D	L	d (H7)	b (F8)	L1	L2	L3	D1	D2 (g7)		n-d1x 深度Depth
FLK6	6	95	0.81	1500	134	110	16	5	45	3	15	80	65	6-M5x10	单风扇 single fan
FLK12	12	140	0.94	1500	152	122	20	6	48	4	19	90	75	6-M6x12	双风扇 double fan
FLK25	25	220	1.24	1500	182	132	25	8	50	4	19	105	85	6-M6x12	双风扇 double fan
FLK50	50	330	2.15	1500	219	150	30	8	58	4	20	130	97	6-M8x16	双风扇 double fan
FLK100	100	480	2.40	1500	280	210	35	10	70	5	25	140	105	6-M10x18	双风扇 double fan
FLK200	200	750	2.63	1000	327	250	40	12	80	6	31	150	115	6-M10x20	双风扇 double fan
FLK400	400	1100	3.31	1000	398	284	50	14	95	8	33	200	135	8-M12x20	双风扇 double fan

# 磁粉离合器

磁粉离合器

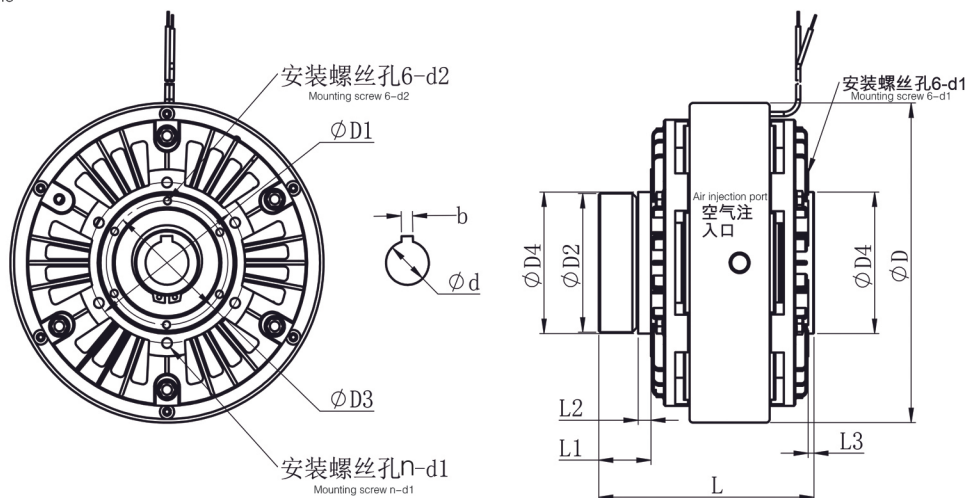
## FLKT型空心轴、止口支撑、通孔磁粉离合器

FLK hollow shaft, spigot supporting magnetic powder brake



A、安装示例图  
Installation example

B、外形尺寸图  
Dimensions



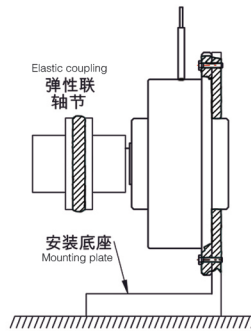
### 规格、外形尺寸(mm)

额定电压DC24V Rated voltage DC24V

规定型号 Specification and model no.	额定 转矩 Rated torque N.m	滑差 功率 Slip power W	最大 电流 Max current A	最高 转速 Max rotation speed rpm	外形尺寸 Overall size		轴联接尺寸 Hollow spindle coupling size					止口支撑尺寸 Spigot support size					冷却方式 Cooling method	
					D	L	d (H7)	b (F8)	L1	L2	L3	D1	D2 (g7)	D3	D4	n1-d1x 深度Depth		n2-d2x 深度Depth
FLKT6	6	95	1.00	1500	120	98	16	5	24	6	/	72	59	53	62	6-M4x14	6-M4x6	单风扇single fan
FLKT12	12	140	0.94	1500	155	109	20	6	26	5	3	80	69	63	72	6-M5x14	6-M4x7	双风扇double fan
FLKT25	25	220	1.24	1500	182	125	25	8	33	8.5	4	96	80	71	82	6-M6x14	6-M5x10	双风扇double fan
FLKT50	50	330	2.15	1500	219	151	30	8	37.5	8	4	110	94	85	97	6-M6x12	6-M6x11	双风扇double fan
FLKT100	100	480	2.40	1500	280	196	35	10	44	14	/	145	125	110	127	6-M8x16	6-M8x15	双风扇double fan
FLKT200	200	750	2.63	1000	327	237	45	14	52	17	/	170	140	125	145	6-M10x20	6-M8x17	双风扇double fan

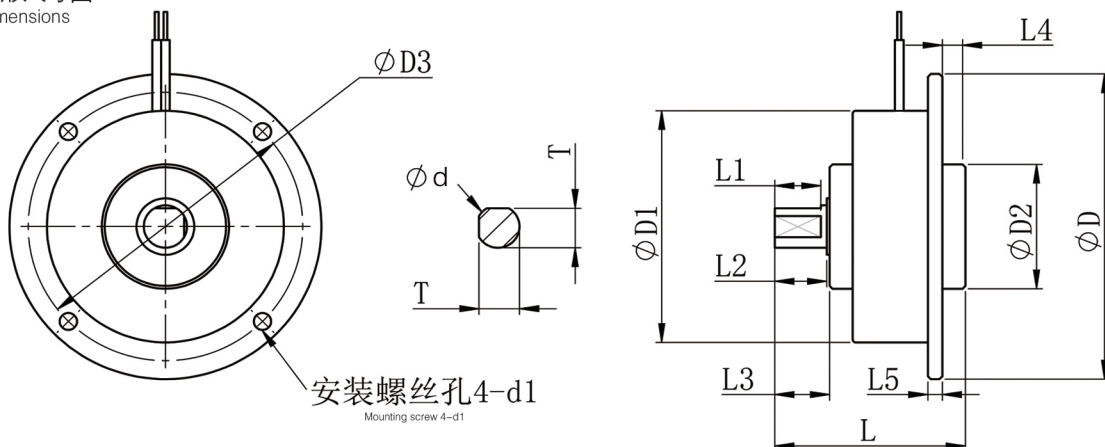
## ZKG型单出轴、止口支撑、微型磁粉制动器

ZKG single-output shaft, spigot support, mini magnetic powder brake



A、安装示例图  
Installation example

B、外形尺寸图  
Dimensions



### 规格、外形尺寸(mm)

额定电压DC24V Rated voltage DC24V

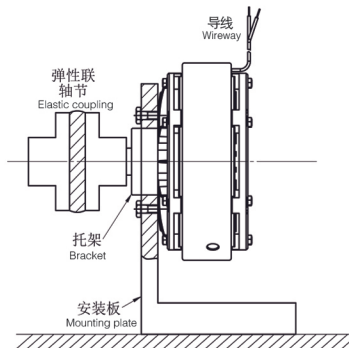
规定型号 Specification and model no.	额定转矩 Rated torque N.m	滑差功率 Slip power W	最大电流 Max current A	最高转速 Max rotation speed rpm	外形尺寸 Overall size			轴联接尺寸 Hollow spindle coupling size					止口支撑尺寸 Spigot support size				冷却方式 Cooling method	
					D	D1	L	d (h7)	T	L1	L2	L3	L4	L5	D2 (g7)	D3		d1
ZKG0.5YN	0.5	18	0.35	1800	70	51	49	5	4.5	9	10.5	11	3	4	24	60	4.5	自然冷 self cooling
ZKG1YN	1	10	0.47	1800	76	56	50	7	6.5	10	12	13	3	4	36	66	4.5	自然冷 self cooling
ZKG2YN	2	30	0.55	1800	90	70	60	9	8.5	13	15	16	5	4	40	80	4.5	自然冷 self cooling
ZKG5YN	5	40	0.8	1800	108	82	66	15	14	16	18	19	8	5	44	95	6	自然冷 self cooling



# 磁粉制动器

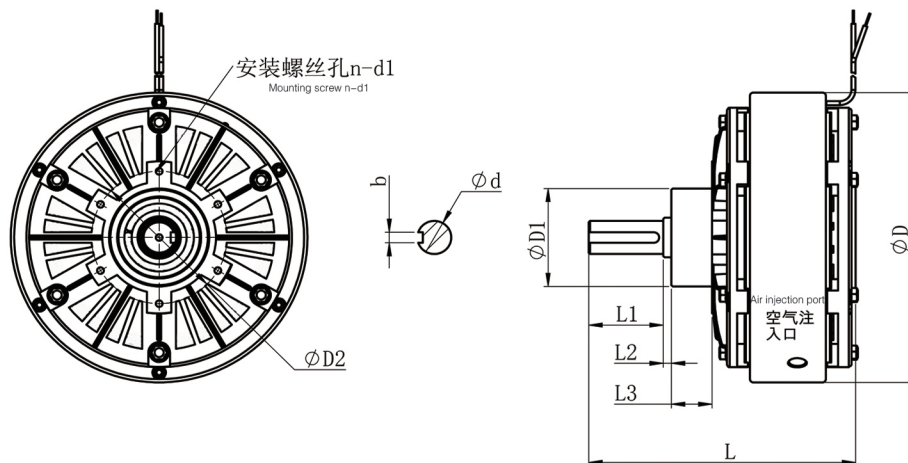
## ZKB型单出轴、止口支撑、风扇冷却磁粉制动器

ZKB single-output shaft, spigot support, fan cooling magnetic powder brake



A、安装示例图  
Installation example

B、外形尺寸图  
Dimensions



### 规格、外形尺寸(mm)

额定电压DC24V Rated voltage DC24V

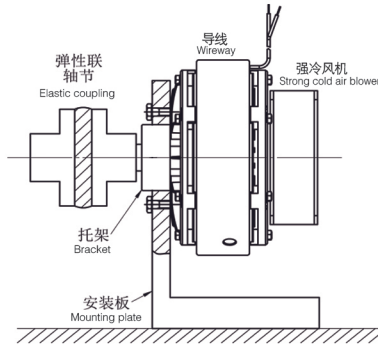
规定型号 Specification and model no.	额定 转矩 Rated torque N.m	滑差 功率 Slip power W	最大 电流 Max current A	最高 转速 Max rotation speed rpm	外形尺寸 Overall size		轴联接尺寸 Hollow spindle coupling size				止口支撑尺寸 Spigot support size			冷却方式 Cooling method	
					D	L	d (h7)	b (P7)	L1	L2	L3	D1 (g7)	D2		n-d1x 深度Depth
ZKB0.6YN	0.6	20	0.46	1500	88	93	8	3	22	4	15	33	55	6-M5x10	单风扇single fan
ZKB3YN	3	50	0.53	1500	120	108	10	4	22	6	14	42	64	6-M5x10	单风扇single fan
ZKB6YN	6	95	0.81	1500	134	114	12	4	26	6	14	42	64	6-M5x10	单风扇single fan
ZKB12XN	12	140	0.94	1500	152	132	15	5	29	5	15	42	64	6-M6x10	双风扇double fan
ZKB25XN	25	220	1.24	1500	182	155	20	6	43	4	17	55	78	6-M6x10	双风扇double fan
ZKB50XN	50	330	2.15	1500	219	193	25	8(7)	55	6	30	74	100	6-M6x10	双风扇double fan
ZKB100XN	100	600	2.40	1500	280	239	30	8(7)	65	7	28	100	140	6-M10x15	双风扇double fan
ZKB200XN	200	850	2.63	1000	327	278	35	10	69	10	30	110	150	6-M10x15	双风扇double fan
ZKB400XN	400	1100	3.31	1000	395	355	45	14	92	12.5	35	130	200	8-M12x20	双风扇double fan
ZKB630XN	630	1600	3.50	900	486	400	55	16	105	10	40	150	260	8-M12x25	双风扇double fan

注：括号内为日本原厂ZKB系列的键槽为非标，若需完全互换，请订货时声明！可订制机座安装方式。

Note: Non-standard keyway to ZKB series from Japan, it is required to state when places order if needs to be changed completely

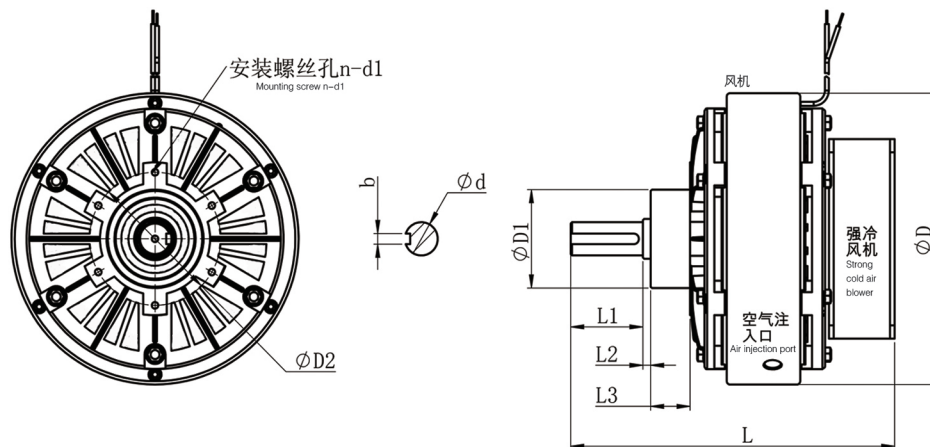
## ZKB型单出轴、止口支撑、强制风冷磁粉制动器

ZKB single-output shaft, spigot support, forced fan cooling magnetic powder brake



A、安装示例图  
Installation example

B、外形尺寸图  
Dimensions



规格、外形尺寸(mm)

额定电压DC24V Rated voltage DC24V

规定型号 Specification and model no.	额定 转矩 Rated torque N.m	滑差 功率 Slip power W	最大 电流 Max current A	最高 转速 Max rotation speed rpm	外形尺寸 Overall size		轴联接尺寸 Hollow spindle coupling size				止口支撑尺寸 Spigot support size			风机功率 fan power	
					D	L	d (h7)	b (P7)	L1	L2	L3	D1 (g7)	D2		n-d1x 深度Depth
ZKB25HBN	25	500	1.24	1500	182	210	20	6	43	4	17	55	78	6-M6x10	24W
ZKB50HBN	50	700	2.15	1500	219	244	25	8(7)	55	6	30	74	100	6-M6x10	25W
ZKB100HBN	100	1400	2.40	1500	278	303	30	8(7)	65	7	28	100	140	6-M10x15	50W
ZKB200HBN	200	2200	2.63	1000	327	372	35	10	69	10	30	110	150	6-M10x15	60W
ZKB400HBN	400	4200	3.31	1000	395	435	45	14	92	12.5	35	130	200	8-M12x20	75W

注：括号内为日本原厂ZKB系列的键槽为非标，若需完全互换，请订货时声明！可订制机座安装方式。

Note: Non-standard keyway to ZKB series from japan, it is required to state when places order if needs to be changed completely