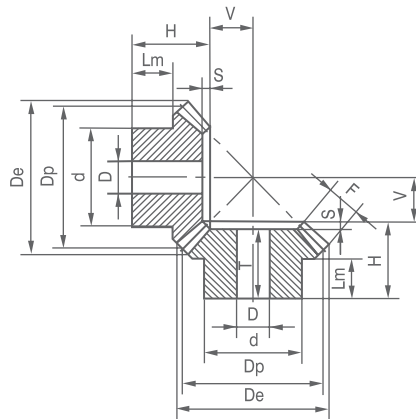


# Bevel Gear

## Pairs With Usual Axes

Pressure angle 20°



### Type - A

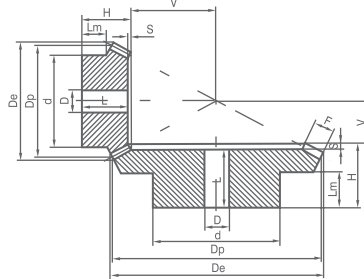
1:1

M	Z	De	Dp	H	F	d	D	V	L	Lm	S
15	16	26.1	24.0	18.9	6	20.3	8	7.10		12	
	20	32.1	30.0	20	10	22	10	7.40	18	8.5	2
	25	39.6	37.5	23	10	28	10	11.09	21	12	2
	30	47.1	45.0	25	12	30	12	13.35	22.5	12	2.5
2	16	34.8	32.0	23.5	8	25.3	10	9.50		14	
	20	42.8	40.0	25	12	32	10	10.78	22	12	3
	25	52.8	50.0	28	14	40	12	14.28	25	12.3	3
	30	62.8	60.0	30	16	50	12	17.78	27	12.8	3
2.5	16	43.5	40.0	28.1	10	30.3	12	11.90		15	
	20	53.5	50.0	30.5	12	40	12	15.43	27	16	3.5
	25	66.0	62.5	33.5	15	50	15	19.48	30	16	3.5
	30	78.5	75.0	35.5	18	55	15	23.63	32	16	3.5
3	16	52.2	48.0	31.7	12	40.3	15	14.30		18	
	20	64.2	60.0	35	18	45	15	16.00	31	13.6	4
	25	79.2	75.0	38	20	55	15	22.00	34	16	4
	30	94.2	90.0	40	22	60	20	28.00	36	17	4
3.5	16	60.9	56.0	36.4	14	45.3	15	16.60		20	
	20	74.9	70.0	40.5	22	55	15	18.13	36	17	4.5
	25	92.4	87.5	43.5	26	65	20	23.97	39	18	4.5
	30	109.9	105.0	48	30	70	20	30.02	43.5	19	4.5
4	16	69.6	64.0	44.3	15	50.3	15	19.70		25	
	20	85.6	80.0	43	25	60	18	20.74	38	18	5
	25	105.6	100.0	45	28	70	20	28.50	40	18	5
	30	125.6	120.0	48	32	80	25	35.67	43	16	5
4.5	16	78.3	72.0	46.3	18	55.3	18	21.70		25	
	20	96.3	90.0	48	28	65	20	23.41	42	18	6
	25	118.8	112.5	50	32	75	20	31.76	44	18	6
	30	141.3	135.0	53	35	90	25	40.82	47	17	6
5	16	87.0	80.0	48.9	18	60.36	20	25.10		25	
	20	107.1	100.0	50.5	30	70	20	26.86	44	18.5	6.5
	25	132.1	125.0	53.5	34	90	20	36.36	47	18	6.5
	30	157.1	150.0	56.5	38	110	30	45.97	50	18	6.5

# Bevel Gear

## Pairs With Usual Axes

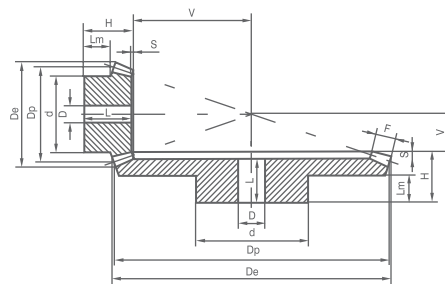
Pressure angle 20°



### Type - A

1:2

M	Z	De	Dp	H	F	d	D	V	L	Lm	S
1.5	16	26.7	24	19.5	8	21	10	16.33	18	11.3	1.5
	32	49.3	48	20	8	32	12	7.45	17	10	3
2	16	35.6	32	23	10	26	10	22.41	21	12.2	2
	32	65.8	64	25	10	40	12	10.21	21	10	4
2.5	16	44.4	40	27.5	12	34	12	28.38	25	14.4	2.5
	32	82.2	80	26	12	50	15	14.10	20	10	5
3	16	53.4	48	28	15	40	15	33.64	25	11.6	3
	32	98.7	96	30	15	60	15	15.31	24	10	6
3.5	16	62.3	56	33.5	18	48	15	38.83	30	14.4	3.5
	32	115.1	112	31	18	70	20	17.77	24	10	7
4	16	71.1	64	36	20	50	20	44.81	32	13.4	4
	32	131.6	128	32	20	80	20	20.42	24	10	8
4.5	16	80.1	72	39.5	22	60	20	51	35	15.4	4.5
	32	148.0	144	36	22	90	25	23.21	27	10	9
5	16	88.9	80	50	25	60	20	56.06	45	21.1	5
	32	164.5	160	38	25	100	25	25.52	28	10	10



### Type - A

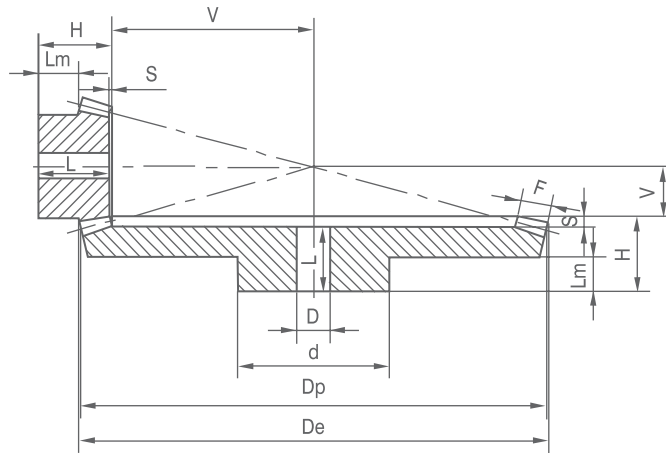
1:3

M	Z	De	Dp	H	F	d	D	V	L	Lm	S
1.5	16	26.9	24	22	12	20	10	24.44	21	9.8	1
	48	72.9	72	20	12	50	15	7.27	17	10	3
2	16	35.8	32	28.5	15	26	12	33.26	27	12.7	1.5
	48	97.3	96	23	15	60	15	9.90	19	10	4
2.5	16	44.7	40	32	18	32	12	42.41	30	13	2
	48	121.6	120	26.6	18	70	20	13.23	21	10	5
3	16	53.7	48	32	18	40	15	54.25	30	12.1	2
	48	145.9	144	29	18	80	20	16.20	23	10	6
3.5	16	62.6	56	38	22	48	15	62.29	35.5	15	2.5
	48	170.2	168	31	22	90	20	18.48	24	10	7
4	16	71.6	64	41.5	25	55	20	71.23	38.5	15.2	3
	48	194.5	192	33	25	100	22	21.20	25	10	8
4.5	16	80.6	72	53	28	60	20	80.27	50	23.4	3
	48	218.6	216	49	28	100	25	23.93	40	18	9
5	16	89.5	80	60	35	60	20	85.61	57	22.5	3
	48	243.1	240	50	35	150	28	25.45	40	20	10

# Bevel Gear

## Pairs With Usual Axes

Pressure angle 20°



### Type - A

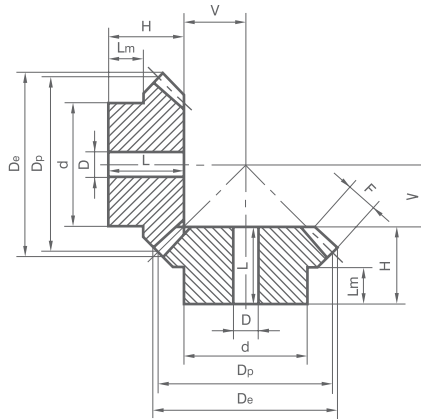
1:4

M	Z	De	Dp	H	F	d	D	V	L	Lm	S
1.5	16	26.9	24	25	12	18	10	36.02	24	12.2	1
	64	96.7	96	22.5	12	70	15	8.53	19	10	3
2	16	35.9	32	24	15	25	12	49.07	23	8.2	1
	64	129.0	128	25	15	80	20	11.79	20	10	4
2.5	16	44.9	40	30.5	18	30	15	61.99	29	11.2	1.5
	64	161.2	160	29	18	90	20	13.77	24	10	5
3	16	53.8	48	34	22	40	15	74.05	32	11	2
	64	193.5	192	30	22	100	20	16.41	24	10	6
3.5	16	62.8	56	45	25	48	15	87.13	43	19.1	2
	64	225.7	224	50	25	100	25	19.32	43	22	7
4	16	71.7	64	50	30	50	20	98.21	48	18.5	2
	64	257.9	256	50	30	120	28	21.72	42	20	8
4.5	16	80.7	72	53	32	55	20	112.08	50.5	19	2.5
	64	290.1	288	53	32	130	30	24.83	44	23	9
5	16	89.7	80	58	35	60	20	125.06	55.5	20.6	2.5
	64	322.4	320	58	35	150	30	27.65	48	25	10

# Bevel Gear

## Pairs With Usual Axes

Pressure angle 20°



### Type - B

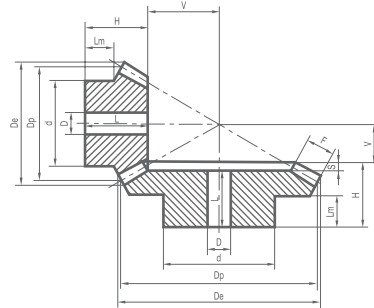
1:1

M	Z	De	Dp	H	F	d	D	V	Lm
1.5	16	26.1	24.0	18.9	6	20.3	8	7.10	12
	19	30.6	28.5	21.3	7	20.3	8	8.70	12
	22	35.1	33.0	22.5	7.5	25.3	8	10.50	12
	26	41.1	39.0	23.2	8.5	28.3	8	12.80	12
	30	47.1	45.0	27.2	10	30.3	12	14.80	12
2	16	34.8	32.0	23.5	8	25.3	8	9.50	14
	19	40.8	38.0	24.2	9	25.3	8	11.80	12
	22	46.8	44.0	27.9	10	30.3	12	14.10	14
	26	54.8	52.0	31.4	12	35.3	12	16.60	14
	30	62.8	60.0	34.1	13	40.3	14	19.90	17
2.5	16	43.5	40.0	28.1	10	30.3	12	11.90	15
	19	51.0	47.5	27.1	11	35.3	12	14.90	13
	22	58.5	55.0	30.1	12	45.3	16	17.90	16
	26	68.5	65.0	33.2	15	45.3	16	20.80	16
	30	78.5	75.0	39	16	50.3	16	25.00	20
3	16	52.5	48.0	31.7	12	40.3	12	14.30	18
	19	61.2	57.0	36	13	40.3	14	18.00	17
	22	70.2	66.0	36.9	15	50.3	16	21.10	17
	26	82.2	78.0	38.4	17	50.3	16	25.60	18
	30	94.2	90.0	43.8	19	60.3	20	30.20	22
3.5	16	60.9	56.0	36.4	14	45.3	16	16.60	20
	19	71.5	66.54	37.8	15	50.3	18	21.00	19
	22	81.9	77.0	39.1	17	55.3	20	24.90	18
	26	96.0	91.0	43.35	20	62.3	20	29.70	20
	30	110.0	105.0	47.1	23	70.3	20	34.90	22
4	16	69.7	64.0	44.3	15	50.3	16	19.70	25
	19	81.7	76.0	44.4	18	55.3	20	23.60	22
	22	93.7	88.0	45.9	20	60.3	20	28.10	22
	26	109.7	104.0	48	25	70.3	20	34.00	22
	30	125.7	120.0	54.2	26	80.3	25	39.80	25
4.5	16	78.4	72.0	46.3	17.5	55.3	20	21.70	25
	19	91.8	85.5	49	20	62.3	20	26.57	25
	22	105.3	99.0	50.1	22	70.3	20	31.90	25
	26	123.0	117.0	54.7	25	75.3	20	38.60	26
	30	141.4	135.0	60	29	80.3	25	45.00	28
5	16	87.1	80.0	48.9	18	60.3	20	25.10	25
	19	102.1	95.0	52.2	22	60.3	20	29.80	25
	22	117.1	110.0	58.2	24	80.3	25	35.80	30
	26	137.1	130.0	62.7	29	80.3	25	42.30	30
	30	157.1	150.0	68.9	32	80.3	30	50.10	35

# Bevel Gear

## Pairs With Usual Axes

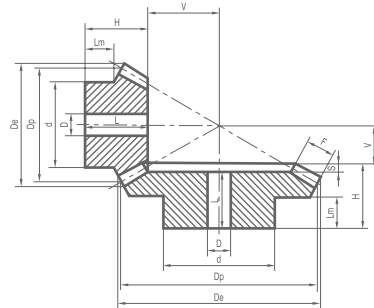
Pressure angle 20°



### Type - B

1:1.5

M	Z	De	Dp	H	F	d	D	V	L	Lm	S
1.5	16	27.1	24	20.3	8	20.3	8	10.7		11.8	
	24	37.2	36	24.9	8	28.3	8	7.1	22.7	16	2.2
2	16	36.2	32	25.2	10	25.3	8	14.8		13.8	
	24	49.7	48	27.2	10	32.3	8	9.8	24.7	16	2.5
2.5	16	45.2	40	30.8	13	32.3	12	18.2		16.4	
	24	62.1	60	34	13	45.3	16	12.0	30.8	20	3.2
3	16	54.3	48	32.4	14.5	40.3	12	22.6		16.4	
	24	74.5	72	36.2	14.5	55.3	16	14.8	32	20	4.2
3.5	16	63.3	56	40.4	18	45.3	16	25.6		20.4	
	24	86.9	84	44.2	18	55.3	20	16.8	40	25	4.2
4	16	72.4	64	46.8	18	50.3	16	31.2		25.4	
	24	99.3	96	45.5	18	60.3	20	20.5	40	25	5.5
4.5	16	81.4	72	47.6	20	60.3	20	35.4		25.1	
	24	111.7	108	57.8	20	80.3	25	23.2	51.3	35	6.5
5	16	90.5	80	54.1	24	60.3	25	37.9		25.4	
	24	124.1	120	61.1	24	80.3	30	24.9	54.5	35	6.6



### Type - B

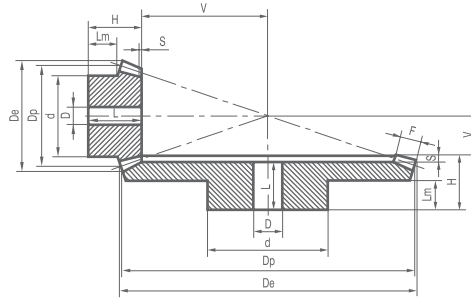
1:2

M	Z	De	Dp	H	F	d	D	V	L	Lm	S
1.5	15	26.1	22.5	21.1	9	19.3	8	13.9		11.9	
	30	45.9	45.0	25.2	9	32.3	8	6.8	23	16	2.2
2	15	34.8	30.0	26	11.5	25.3	8	19.0		14.1	
	30	61.2	60.0	29.8	11.5	40.3	14	9.2	26.8	18	3
2.5	15	43.5	37.5	31.8	15	32.3	12	23.2		16.2	
	30	76.5	75.0	33.7	15	45.3	16	11.3	30	20	3.7
3	15	52.2	45.0	37.3	17	40.3	12	28.7		19.9	
	30	91.8	90.0	42.1	17	55.3	16	13.9	38	25	4.1
3.5	15	60.9	52.5	46.1	20.5	45.3	16	32.9		24.7	
	30	107.1	105.0	45	20.5	60.3	20	16.0	40	25	5
4	15	69.6	60.0	48.6	22.5	50.3	20	38.4		24.6	
	30	122.3	120.0	57.3	22.5	80.3	25	18.7	51.9	35	5.4
4.5	15	78.3	67.5	51.4	26	60.3	20	42.6		24.7	
	30	137.6	135.0	60.3	26	80.3	30	20.7	54.3	35	6
5	15	87.0	75.0	57.6	30	60.3	25	46.4		25.3	
	30	152.9	150.0	62.5	30	80.3	30	22.5	56	35	6.5

# Bevel Gear

## Pairs With Usual Axes

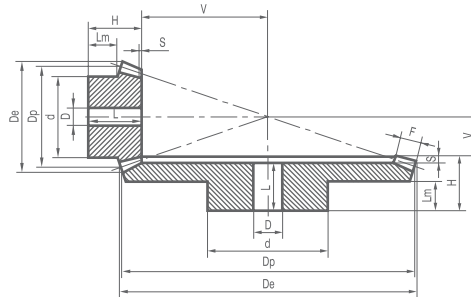
Pressure angle 20°



### Type - B

1:2.5

M	Z	De	Dp	H	F	d	D	V	L	Lm	S
1.5	16	27.9	24	24.2	11.5	20.3	8	18.8		12.3	
	40	60.7	60	27.8	11.5	40.3	14	7.2	25.5	18	2.3
2	16	37.2	32	29.6	15	25.3	8	25.4		13.7	
	40	80.9	80	32.4	15	45.3	16	9.6	29	20	3.4
2.5	16	46.4	40	38.4	19	32.3	12	31.6		18.5	
	40	101.1	100	39.8	19	55.3	16	12.2	35.9	25	3.9
3	16	55.7	48	41.9	21.5	40.3	16	39.1		19.6	
	40	121.4	120	47.9	21.5	60.3	20	15.1	44	30	3.9
3.5	16	65.0	56	49.1	22.6	45.3	20	47.9		25	
	40	141.6	140	54.6	22.6	80.3	25	18.4	50	35	4.6
4	16	74.3	64	52.5	26	55.3	20	54.5		25.3	
	40	161.8	160	57	26	80.3	30	21.0	50.5	35	6.5
4.5	16	83.6	72	56.3	30	60.3	25	60.7		24.6	
	40	182.1	180	59.7	30	80.3	30	23.3	53	35	6.7
5	16	92.9	80	65.4	32	60.3	25	68.6		30.1	
	40	202.3	200	65.7	32	90.3	30	26.3	58.3	40	7.4



### Type - B

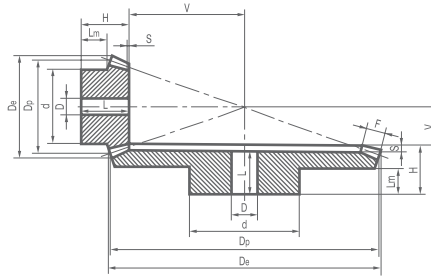
1:3

M	Z	De	Dp	H	F	d	D	V	L	Lm	S
1.5	15	26.5	22.5	22.6	10.5	19.3	8	23.4		11.7	
	45	68.1	67.5	29.6	10.5	45.3	14	7.4	27.2	20	2.4
2	15	35.4	30	28.9	14	25.3	8	31.1		14.2	
	45	90.8	90	32.1	14	45.3	16	9.9	28.4	20	3.7
2.5	15	44.1	37.5	34.6	18	32.3	12	38.4		15.9	
	45	113.4	112.5	39.7	18	60.3	20	12.3	35.3	25	4.4
3	15	53.0	45	41.3	21	40.3	16	46.7		19.7	
	45	136.1	135	47.2	21	60.3	25	14.8	42	30	5.2
3.5	15	61.9	52.5	49.6	23.5	45.3	20	55.4		25	
	45	158.8	157.5	54.4	23.5	80.3	25	17.6	48.6	35	5.8
4	15	70.7	60	54.3	27.5	50.3	20	62.7		25.4	
	45	181.5	180	57	27.5	80.3	30	20.0	50.5	35	6.5
4.5	15	79.5	67.5	55.2	28.5	55.3	25	72.8		24.8	
	45	204.2	202.5	63.9	28.5	90.3	30	23.1	57	40	6.9
5	15	88.4	75	65.3	33	60.3	25	79.7		30	
	45	226.9	225	66.7	33	90.3	30	25.3	59.2	40	7.5

# Bevel Gear

## Pairs With Usual Axes

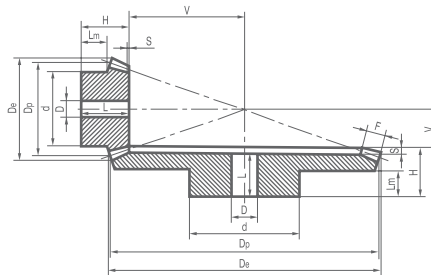
Pressure angle 20°



### Type - B

1:3.5

M	Z	De	Dp	H	F	d	D	V	L	Lm	S
1.5	16	28.1	24	24	12	20.3	8	30.0		11.5	
	56	84.5	84	34.8	12	45.3	14	8.2	32	25	2.8
2	16	37.5	32	30.9	16	25.3	8	40.1		14.1	
	56	112.6	12	37.1	16	55.3	16	10.9	33.3	25	3.8
2.5	16	46.8	40	38.9	20	32.3	14	50.1		17.9	
	56	140.8	140	44.4	20	60.3	20	13.6	40	30	4.4
3	16	56.2	48	49.9	24	40.3	16	60.1		24.9	
	56	169.0	168	52.7	24	80.3	25	16.3	47.5	35	5.2
3.5	16	65.6	56	52	25	45.3	20	73.0		25.5	
	56	197.1	196	55.1	25	80.3	25	19.9	49.1	35	6



### Type - B

1:4

M	Z	De	Dp	H	F	d	D	V	L	Lm	S
1.5	15	26.70	22.5	23	11	20.3	8	34.0		11.7	
	60	90.40	90.0	34	11	50.3	16	8.0	31.2	25	2.8
2	15	35.60	30.0	31	16	25.3	8	44.0		14.4	
	60	120.60	120.0	37.6	16	60.3	16	10.4	34.2	25	3.4
2.5	15	44.50	37.5	38.1	19	32.3	14	55.9		18.4	
	60	150.70	150.0	44.8	19	60.3	20	13.2	40	30	4.8
3	15	53.30	45.0	48.1	23	40.3	16	66.9		24.5	
	60	180.80	180.0	53.2	23	80.3	25	15.8	48.2	35	5
3.5	15	62.20	52.5	52.1	26	45.3	20	78.9		25.1	
	60	211.00	210	60.4	26	90.3	30	18.6	54.4	40	6
4	15	71.10	60.0	55.1	30	50.3	20	89.9		23	
	60	241.10	240.0	60.8	30	90.3	30	21.2	53	40	7.8
4.5	15	79.97	67.5	57	32	52.3	20	102.9		23	
	60	271.24	270.0	62	32	90.3	30	24.3	53.5	40	8.5
5	15	88.80	75.0	62	34	55.3	20	115.7		25	
	60	301.30	300.0	65	34	90.3	30	27.0	55	40	10