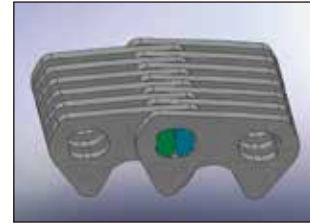
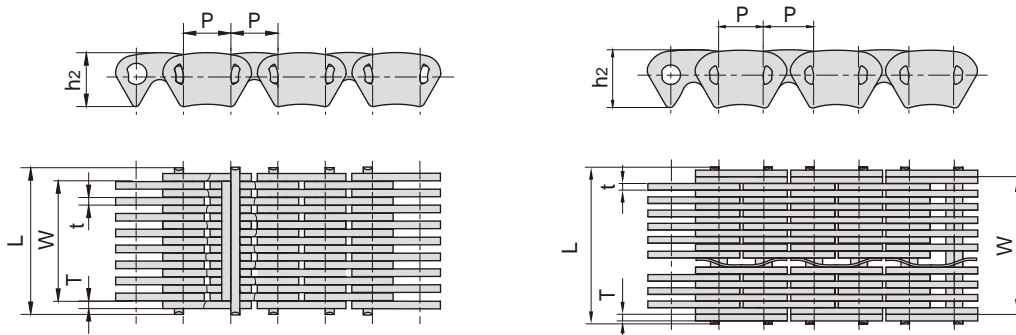


Rocker joint type silent chains

Rocker joint type silent chain is mainly used for four-wheel drive transfer case and gearbox drive system, which is the core component of the drive system. Special rocker joint pin dual-meshing design makes its structure different from the ordinary round pin type silent chain and thus reducing the polygon effect and noise effectively. This chain has superior performances such as high strength, high wear resistance and transmission of high torque in many conditions etc..



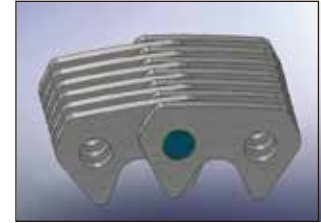
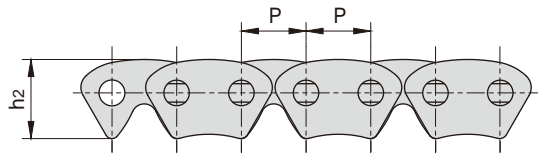
Rocker joint type silent chains



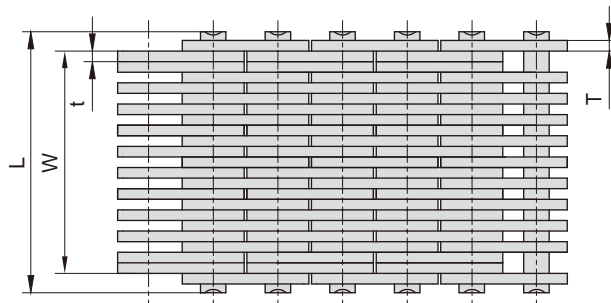
Chain No.	Pitch	Width Between Guides	Pin length	Plate depth	Plate thickness		Guide type	Number of plate	Tensile strength	Weight per meter
	P	W	L max	h2 max	t	T			Q min	
	mm	mm	mm	mm	mm	mm			kN/lbf	
HV3F3	9.525	18.24	22.20	10.90	1.54	1.54	(外)Outside	13(6×7)	36.0/8093	1.16
	9.525	31.70	36.50	10.90	1.54	1.54	(外)Outside	21(10×11)	45.0/10116	1.79
HV3F4	9.525	20.30	25.90	10.90	1.54	1.54	(外)Outside	15(7×8)	31.0/6969	1.29
	9.525	24.58	29.80	11.90	1.54	1.54	(外)Outside	17(8×9)	48.0/10790	1.60
HV3.5	11.113	24.80	30.00	14.27	1.54	1.20	(外)Outside	17(8×9)	58.0/13038	2.13
	11.113	28.00	32.70	14.27	1.54	1.20	(外)Outside	19(9×10)	65.0/14612	2.38
	11.113	31.20	36.00	14.27	1.54	1.20	(外)Outside	21(10×11)	72.0/16186	2.53
SC180	11.113	31.40	36.33	13.52	1.55	1.55	(外)Outside	21(9×12)	72.0/16186	2.37
	11.113	37.80	42.72	13.52	1.55	1.55	(外)Outside	25(11×14)	88.0/19782	2.88
	11.113	40.90	46.60	13.52	1.55	1.55	(外)Outside	27(12×15)	96.0/21581	1.09
HV4F1-10X11W	12.700	32.90	38.20	14.50	1.54	1.54	(外)Outside	21(10×11)	47.3/10633	2.20
HV4F1-16X17N	12.700	52.40	57.00	14.50	1.54	2.00	(内)Inside	33(16×17)	86.0/19333	3.50
HV6	19.050	72.30	81.30	20.89	2.00	2.00	(外)Outside	35(17×18)	174.0/39115	7.40
	19.050	101.90	108.90	20.89	2.00	2.00	(内)Inside	49(24×25)	174.0/39115	10.12
HV6D	19.050	38.50	50.30	27.00	2.00	2.00	(外)Outside	21(10×11)	104.0/23379	4.52
HV8	25.400	140.30	158.80	27.74	3.10	3.10	(外)Outside	47(23×24)	534.0/120043	20.46
HV8D	25.400	102.00	110.00	36.00	3.00	3.00	(内)Inside	34(16×18)	385.0/86548	14.40

Round pin type silent chains

Round pin type silent chain is mainly used for transfer case and gearbox assembly drivesystem, which is the core component of the drive system. The chain is made from superior quality steel and the plates of which are austempered, which is especially suitable for various conditions such as high strength, high wear resistance, low noise and big torque etc..



Round pin type silent chains



Chain No.	Pitch	Chain width	Pin length	Plate depth	Plate thickness		Guide form	Number of plate	Tensile strength	Weight per meter
	P	b ₁ min	L max	h ₂ max	t max	T max			Q min	
	mm	mm	mm	mm	mm	mm			kN/lbf	
CL06	9.525	17.00	22.70	11.57	1.54	1.54	(外)Outside	13(6×7)	37/8318	1.28
CL06D	9.525	32.80	38.20	11.57	1.55	1.55	(外)Outside	23(12×11)	73/16410	2.23
	9.525	42.50	38.20	11.57	1.55	1.55	(外)Outside	29(14×15)	86/19333	2.90
BC1252	12.780	29.60	35.10	15.50	1.54	1.54	(外)Outside	21(10×11)	80/17984	2.66
	12.780	30.50	36.00	15.50	1.54	1.54	(外)Outside	21(11×10)	80/17984	2.76
SC1252	12.780	31.20	36.70	15.50	1.54/1.76	1.54	(外)Outside	21(11×10)	80/17984	2.82
	12.780	37.50	43.20	15.50	1.54/1.76	1.54	(外)Outside	25(13×12)	96/21581	3.33
	12.780	43.90	49.70	15.50	1.54/1.76	1.54	(外)Outside	29(15×14)	112/25178	3.85