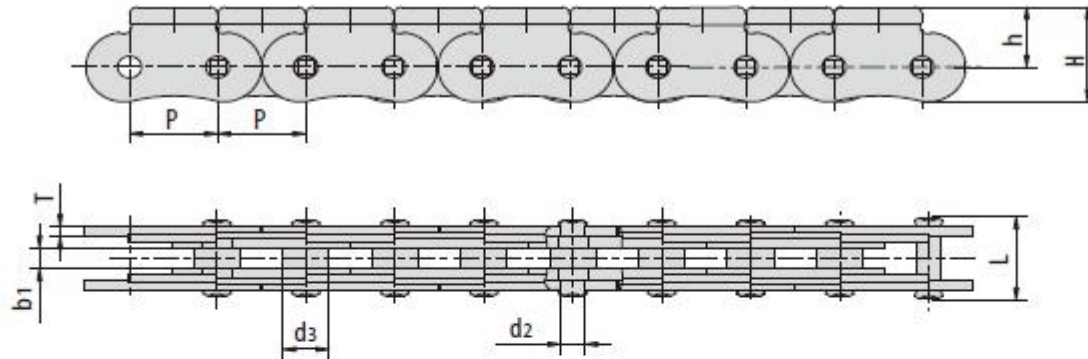
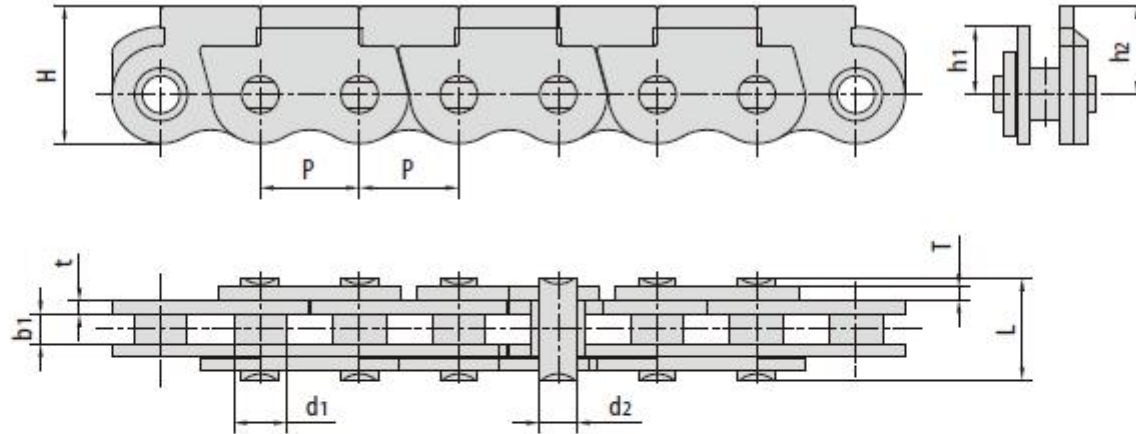


Chain No.	节距 Pitch	滚子直径 Roller diameter	内节内宽 Width between inner plates	销轴直径 Pin diameter	销轴长度 Pin length	链板尺寸 Plate dimension			抗拉强度 Tensile strength	每米长重 Weight per meter
	P	d _{1 max}	b _{1 min}	d _{2 max}	L _{max}	H _{max}	h	t/T _{max}	Q _{min}	q
	mm	mm	mm	mm	mm	mm	mm	mm	kN/bf	kg/m
06BF34	9.525	6.35	3.80	3.28	10.00	12.38	7.88	1.04	7.0/1574	0.47
*06CF22	9.525	5.08	4.77	3.58	11.60	12.86	8.38	1.30	7.9/1776	0.51
*06CF30	9.525	5.08	4.77	3.58	13.90	13.05	8.55	2.03/1.25	7.9/1776	0.71
*P9.525F1	9.525	5.08	4.77	3.58	11.60	13.00	8.55	1.30	7.9/1776	0.57
08BF6	12.700	7.95	7.85	3.96	16.60	17.00	11.00	1.50	13.8/3102	0.91
415BF4	12.700	7.75	4.88	4.09	16.40	17.00	11.00	1.3/3.1	12.0/2698	1.07
P12.7F4	12.700	7.50	5.50	4.45	15.60	14.30	8.50	2.03	15.0/3372	0.99
08BF20	12.700	8.51	7.75	4.45	16.70	16.50	10.50	1.60	18.0/4046	1.04
08BF208	12.700	8.51	7.75	4.45	17.00	16.50	10.50	1.60	10.0/2248	1.06
16AF101	25.400	15.88	15.75	7.92	32.70	26.90	14.80	3.25	56.7/12746	3.45

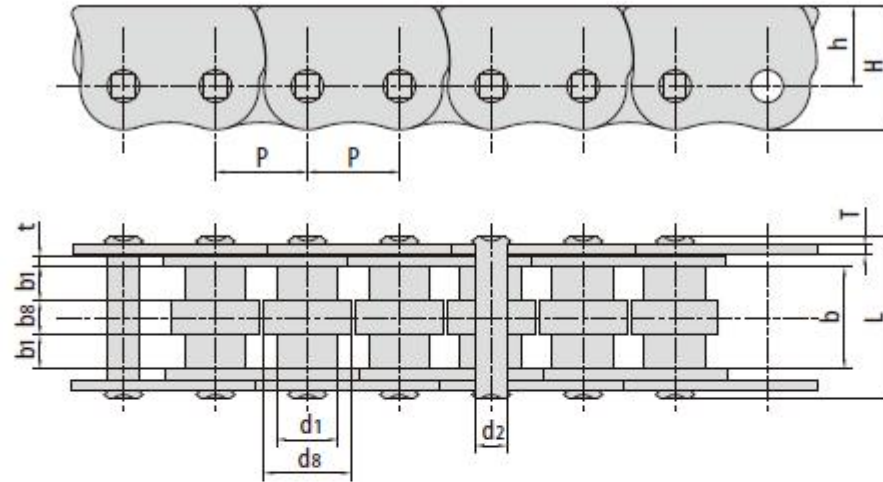
*套筒链：表中滚子直径d1为套筒直径
 *Bush chain: d1 in the table indicates the external diameter of the bush.



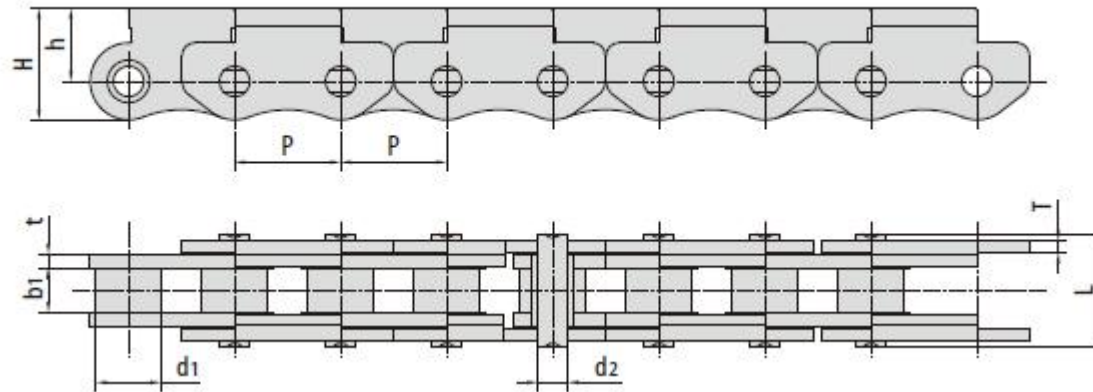
Chain No.	节距 Pitch	内节内宽 Width between inner plates	销轴直径 Pin diameter		销轴长度 Pin length	链板尺寸 Plate dimension				抗拉强度 Tensile strength
	P	b ₁ min	d ₂ max	d ₃ max	L max	H max	h	T	Q _{min}	
	mm	mm	mm	mm	mm	mm	mm	mm	kN/bf	
P11.5	11.5	3.00	3.00	6.00	10.8	13.5	8.5	1.5	9.0/2023	



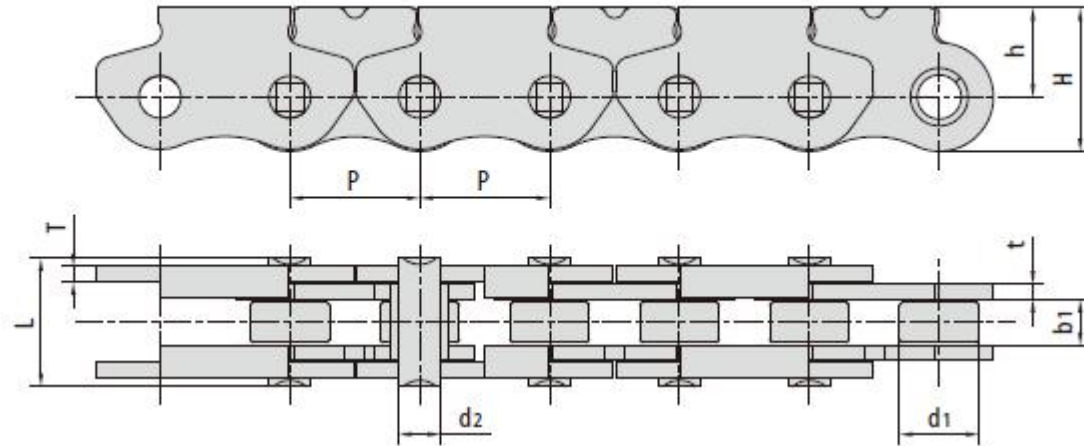
Chain No.	节距	套筒直径	内节内宽	销轴直径	销轴长度	链板尺寸				抗拉强度	每米长重
	Pitch	Bush diameter	Width between inner plates	Pin diameter	Pin length	Plate dimension				Tensile strength	Weight per meter
	P	d1 max	b1 min	d2 max	L max	H max	h1	h2	t/T	Q _{min}	q
	mm	mm	mm	mm	mm	mm	mm	mm	mm	kN/bf	kg/m
06CF25SB	9.525	5.08	2.90	3.58	9.8	13.2	6.5	8.5	1.2	7.0/1574	0.41
06CF37SB	9.525	5.08	2.90	3.58	8.6	13.2	6.5	8.5	1.0	5.8/1304	0.35



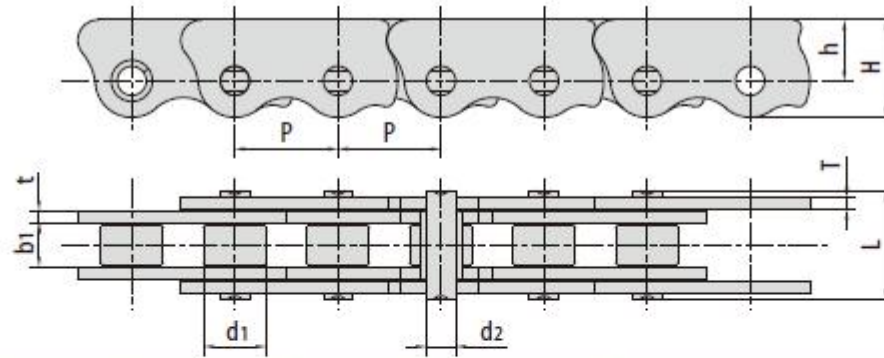
Chain No.	节距	滚子尺寸				内节内宽	销轴直径	销轴长度	链板尺寸			抗拉强度	每米长重
	Pitch	Roller dimension				Width between inner plates	P in diameter	P in length	Plate dimension			Tensile strength	Weight per meter
	p	d1 max	d8 max	b1 min	b8 min	b min	d2 max	L max	H max	h	t/T	Q min	q
	mm	mm	mm	mm	mm	mm	mm	mm	mm	mm	mm	kN/bf	kg/m
08BF200	12.700	8.51	12.00	4.40	4.60	13.80	4.45	22.7	17.0	11.0	1.5	13.8/3102	1.70



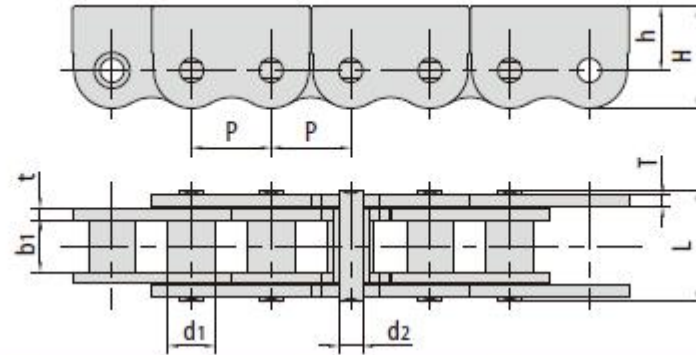
Chain No.	节距	滚子直径	内节内宽	销轴直径	销轴长度	链板尺寸			抗拉强度	每米长重
	Pitch	Roller diameter	Width between inner plates	Pin diameter	Pin length	Plate dimension			Tensile strength	Weight per meter
	P	d1 max	b1 min	d2 max	L max	H max	h	t/T	Q min	q
	mm	mm	mm	mm	mm	mm	mm	mm	kN/bf	kg/m
P 12.7SB	12.700	7.75	5.25	3.58	13.5	13.3	8.7	1.7/1.4	10.0/2248	0.59
P 12.7F5SB	12.700	7.75	3.80	3.58	13.1	13.3	8.7	1.7/1.4	10.0/2248	0.55



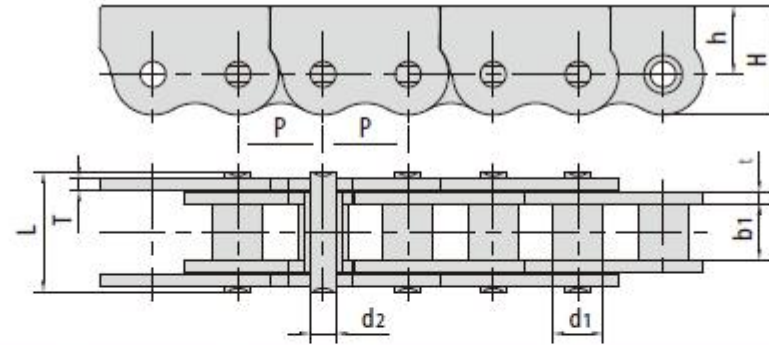
Chain No.	节距	滚子直径	内节内宽	销轴直径	销轴长度	链板尺寸			抗拉强度	每米长重
	Pitch	Roller diameter	Width between inner plates	Pin diameter	Pin length	Plate dimension			Tensile strength	Weight per meter
	p	d_1 max	b_1 min	d_2 max	L max	H max	h	t	Q min	q
	mm	mm	mm	mm	mm	mm	mm	mm	kN/bf	kg/m
P 12.7F10SB	12.700	7.75	4.10	4.09	12.5	13.8	8.7	1.5	8.2/1843	0.62



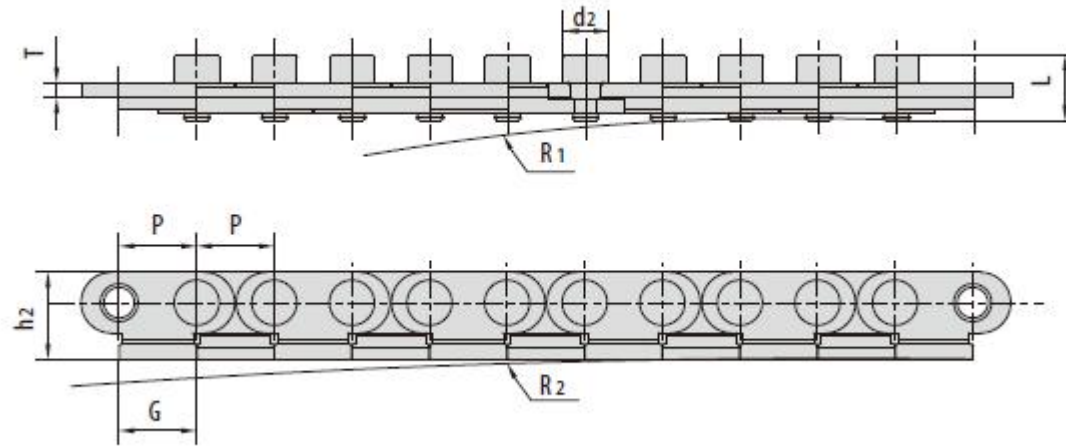
Chain No.	节距	滚子直径	内节内宽	销轴直径	销轴长度	链板尺寸			抗拉强度	每米长重
	Pitch	Roller diameter	Width between inner plates	Pin diameter	Pin length	Plate dimension			Tensile strength	Weight per meter
	p	d _{1 max}	b _{1 min}	d _{2 max}	L _{max}	H _{max}	h	t/T	Q _{min}	q
	mm	mm	mm	mm	mm	mm	mm	mm	kN/bf	kg/m
P 12.7F 12	12.700	7.75	5.25	3.58	13.4	12.0	7.5	1.5	10.0/2248	0.68



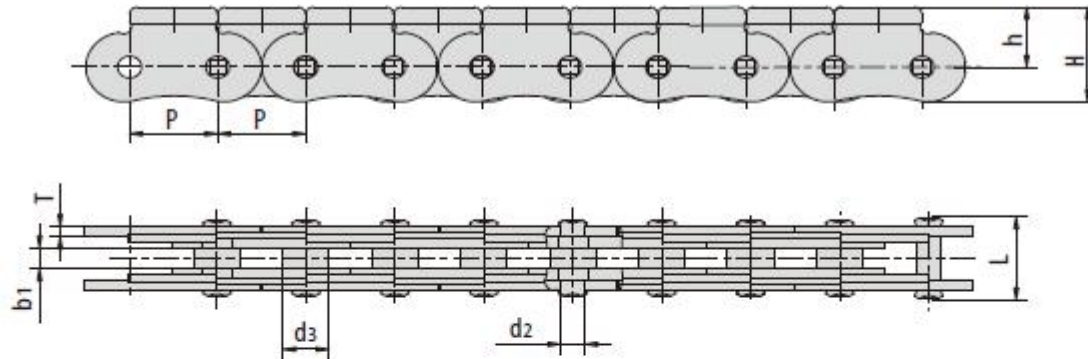
Chain No.	节距	滚子直径	内节内宽	销轴直径	销轴长度	链板尺寸			抗拉强度	每米长重
	Pitch	Roller diameter	Width between inner plates	Pin diameter	Pin length	Plate dimension			Tensile strength	Weight per meter
	p	$d_{1\max}$	$b_{1\min}$	$d_{2\max}$	L_{\max}	H_{\max}	h	t	Q_{\min}	q
	mm	mm	mm	mm	mm	mm	mm	mm	kN/bf	kg/m
P20SB	20.000	11.80	13.00	6.00	28.0	25.5	16.0	3.0	36.0/8093	2.78



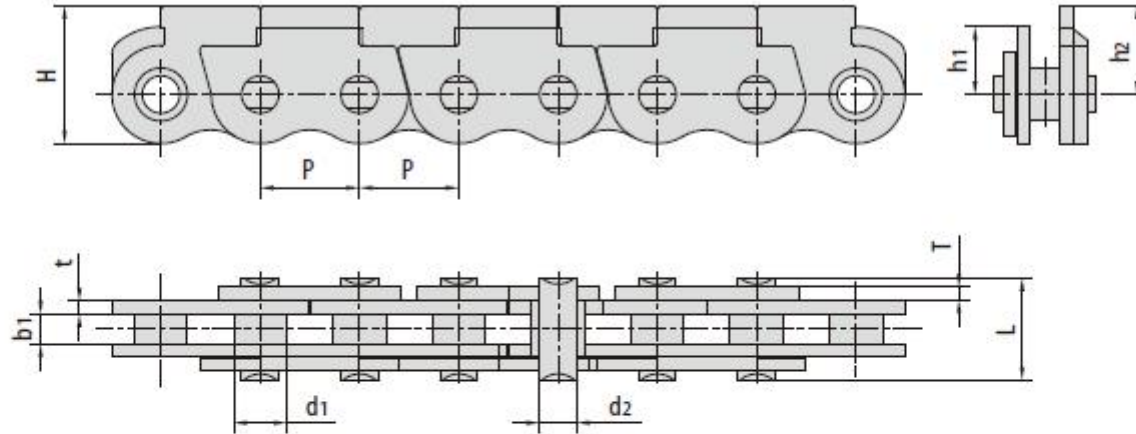
Chain No.	节距	滚子直径	内节内宽	销轴直径	销轴长度	链板尺寸			抗拉强度	每米长重
	Pitch	Roller diameter	Width between inner plates	Pin diameter	Pin length	Plate dimension			Tensile strength	Weight per meter
	P	d _{1 max}	b _{1 min}	d _{2 max}	L _{max}	H _{max}	h	t/T	Q _{min}	q
	mm	mm	mm	mm	mm	mm	mm	mm	kN/bf	kg/m
P205BF1	20.000	11.80	13.00	6.00	28.0	25.5	16.0	3.0	36.0/8093	2.79



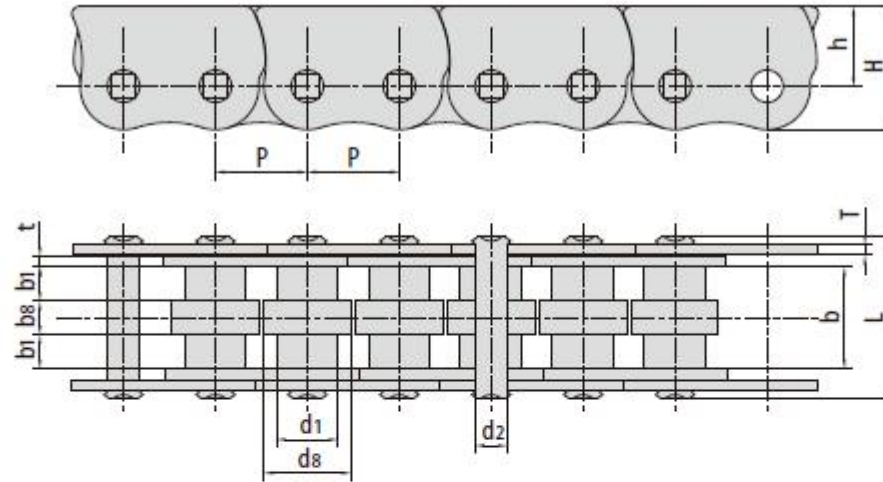
Chain No.	节距	销轴直径	销轴长度	链板尺寸			侧弯半径		每米长重
	Pitch	P in diameter	P in length	P late dimension			Side bow radius		Weight per meter
	P	d2 max	L max	h2 max	G max	T max	R1	R2	q
	mm	mm	mm	mm	mm	mm	mm	mm	kg/m
P 12.75SB	12.75	7.4	10.65	14.25	12.8	2.5	500-800	1000	0.69
P 12.75SBF1	12.75	7.4	11.00	14.25	12.8	2.5	500-800	1000	1.08



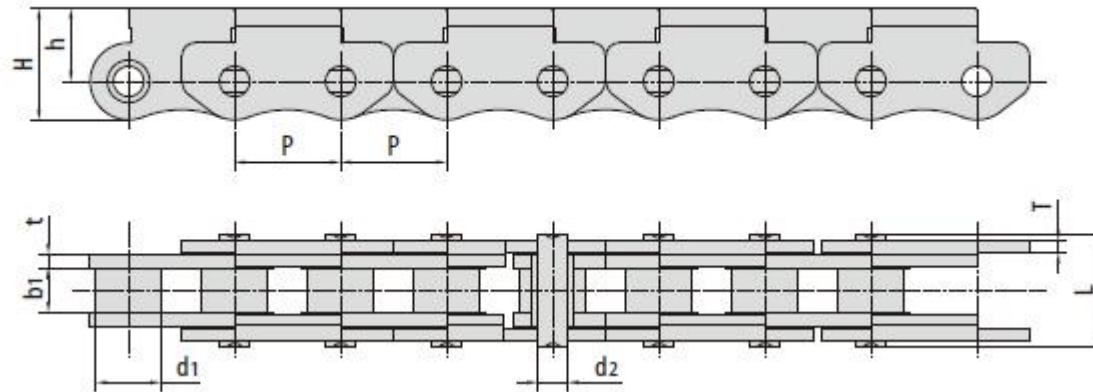
Chain No.	节距 Pitch	内节内宽 Width between inner plates	销轴直径 Pin diameter		销轴长度 Pin length	链板尺寸 Plate dimension				抗拉强度 Tensile strength
	P	b ₁ min	d ₂ max	d ₃ max	L max	H max	h	T	Q _{min}	
	mm	mm	mm	mm	mm	mm	mm	mm	kN/bf	
P11.5	11.5	3.00	3.00	6.00	10.8	13.5	8.5	1.5	9.0/2023	



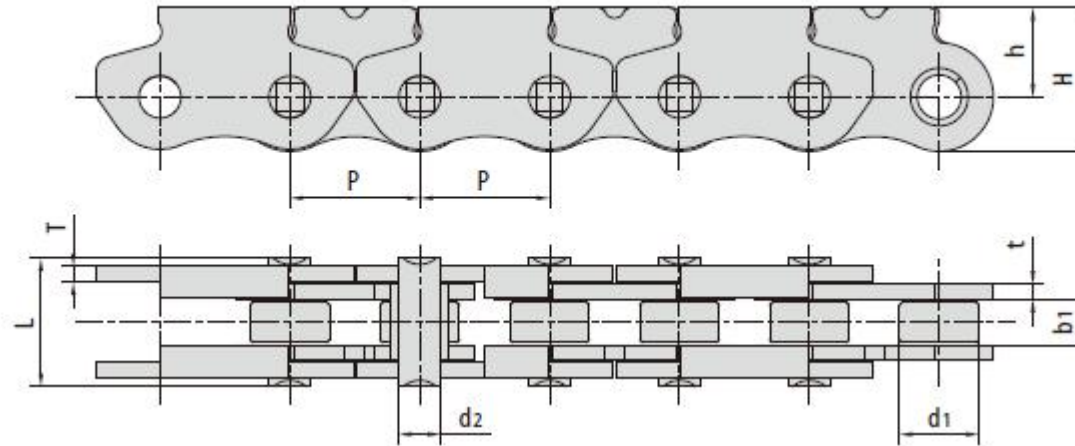
Chain No.	节距	套筒直径	内节内宽	销轴直径	销轴长度	链板尺寸				抗拉强度	每米长重
	Pitch	Bush diameter	Width between inner plates	Pin diameter	Pin length	Plate dimension				Tensile strength	Weight per meter
	P	d1 max	b1 min	d2 max	L max	H max	h1	h2	t/T	Q _{min}	q
	mm	mm	mm	mm	mm	mm	mm	mm	mm	kN/bf	kg/m
06CF25SB	9.525	5.08	2.90	3.58	9.8	13.2	6.5	8.5	1.2	7.0/1574	0.41
06CF37SB	9.525	5.08	2.90	3.58	8.6	13.2	6.5	8.5	1.0	5.8/1304	0.35



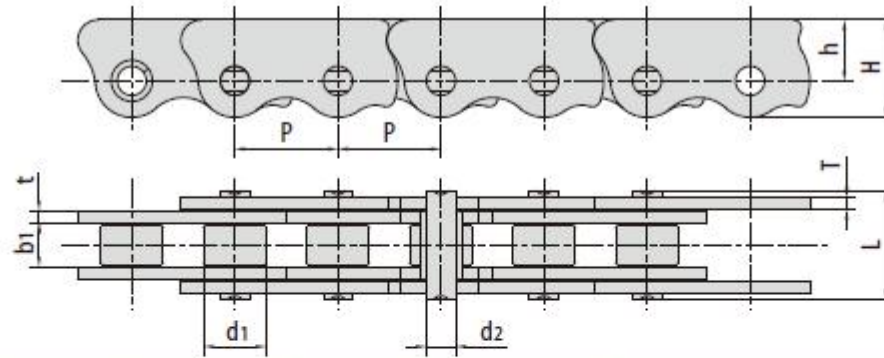
Chain No.	节距	滚子尺寸				内节内宽	销轴直径	销轴长度	链板尺寸			抗拉强度	每米长重
	Pitch	Roller dimension				Width between inner plates	P in diameter	P in length	Plate dimension			Tensile strength	Weight per meter
	p	d _{1 max}	d _{8 max}	b _{1 min}	b _{8 min}	b _{1 min}	d _{2 max}	L _{max}	H _{max}	h	t/T	Q _{min}	q
	mm	mm	mm	mm	mm	mm	mm	mm	mm	mm	mm	kN/bf	kg/m
08BF200	12.700	8.51	12.00	4.40	4.60	13.80	4.45	22.7	17.0	11.0	1.5	13.8/3102	1.70



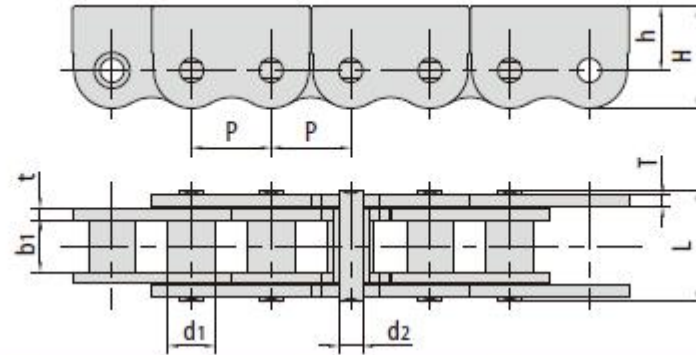
Chain No.	节距	滚子直径	内节内宽	销轴直径	销轴长度	链板尺寸			抗拉强度	每米长重
	Pitch	Roller diameter	Width between inner plates	Pin diameter	Pin length	Plate dimension			Tensile strength	Weight per meter
	P	d _{1 max}	b _{1 min}	d _{2 max}	L _{max}	H _{max}	h	t/T	Q _{min}	q
	mm	mm	mm	mm	mm	mm	mm	mm	kN/bf	kg/m
P 12.7SB	12.700	7.75	5.25	3.58	13.5	13.3	8.7	1.7/1.4	10.0/2248	0.59
P 12.7F5SB	12.700	7.75	3.80	3.58	13.1	13.3	8.7	1.7/1.4	10.0/2248	0.55



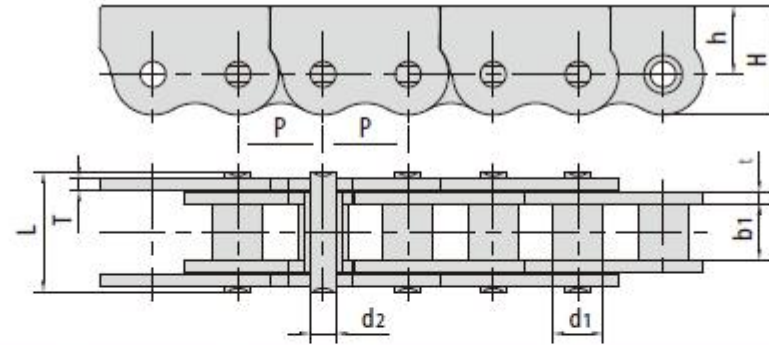
Chain No.	节距	滚子直径	内节内宽	销轴直径	销轴长度	链板尺寸			抗拉强度	每米长重
	Pitch	Roller diameter	Width between inner plates	Pin diameter	Pin length	Plate dimension			Tensile strength	Weight per meter
	p	d_1 max	b_1 min	d_2 max	L max	H max	h	t	Q min	q
	mm	mm	mm	mm	mm	mm	mm	mm	kN/bf	kg/m
P 12.7F10SB	12.700	7.75	4.10	4.09	12.5	13.8	8.7	1.5	8.2/1843	0.62



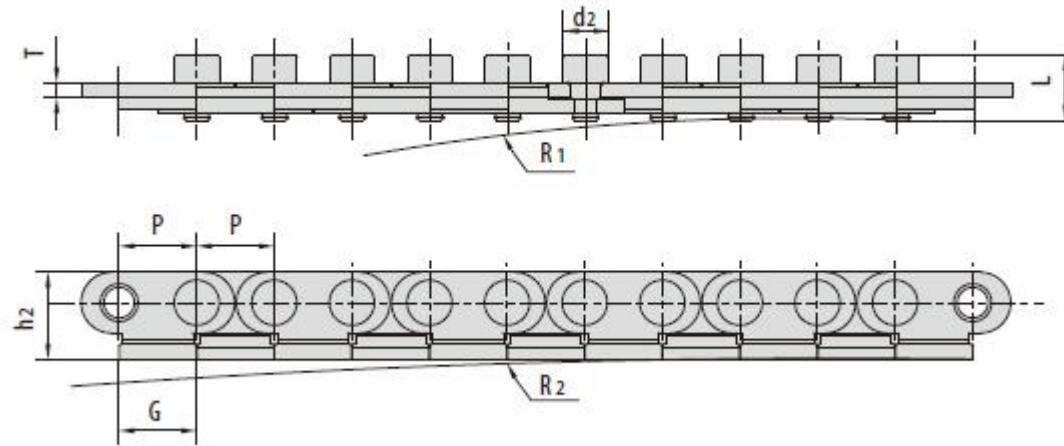
Chain No.	节距	滚子直径	内节内宽	销轴直径	销轴长度	链板尺寸			抗拉强度	每米长重
	Pitch	Roller diameter	Width between inner plates	Pin diameter	Pin length	Plate dimension			Tensile strength	Weight per meter
	p	d _{1 max}	b _{1 min}	d _{2 max}	L _{max}	H _{max}	h	t/T	Q _{min}	q
	mm	mm	mm	mm	mm	mm	mm	mm	kN/bf	kg/m
P 12.7F 12	12.700	7.75	5.25	3.58	13.4	12.0	7.5	1.5	10.0/2248	0.68



Chain No.	节距	滚子直径	内节内宽	销轴直径	销轴长度	链板尺寸			抗拉强度	每米长重
	Pitch	Roller diameter	Width between inner plates	Pin diameter	Pin length	Plate dimension			Tensile strength	Weight per meter
	p	$d_{1\max}$	$b_{1\min}$	$d_{2\max}$	L_{\max}	H_{\max}	h	t	Q_{\min}	q
	mm	mm	mm	mm	mm	mm	mm	mm	kN/bf	kg/m
P20SB	20.000	11.80	13.00	6.00	28.0	25.5	16.0	3.0	36.0/8093	2.78



Chain No.	节距	滚子直径	内节内宽	销轴直径	销轴长度	链板尺寸			抗拉强度	每米长重
	Pitch	Roller diameter	Width between inner plates	Pin diameter	Pin length	Plate dimension			Tensile strength	Weight per meter
	P	d _{1 max}	b _{1 min}	d _{2 max}	L _{max}	H _{max}	h	t/T	Q _{min}	q
	mm	mm	mm	mm	mm	mm	mm	mm	kN/bf	kg/m
P205BF1	20.000	11.80	13.00	6.00	28.0	25.5	16.0	3.0	36.0/8093	2.79



Chain No.	节距	销轴直径	销轴长度	链板尺寸			侧弯半径		每米长重
	Pitch	P in diameter	P in length	P late dimension			Side bow radius		Weight per meter
	P	d2 max	L max	h2 max	G max	T max	R 1	R 2	q
	mm	mm	mm	mm	mm	mm	mm	mm	kg/m
P 12.75SB	12.75	7.4	10.65	14.25	12.8	2.5	500-800	1000	0.69
P 12.75SBF1	12.75	7.4	11.00	14.25	12.8	2.5	500-800	1000	1.08